

The ECS-75SMF Miniature SMD Monolithic Crystal Filter offers a narrow bandwidth and a 4 pole response in a 5 x 7 package.

[Request a Sample](#)



- 5 x 7 Footprint
- 4 Pole Filter
- Tape and Reel Packaging

### OPERATING CONDITIONS / ELECTRICAL CHARACTERISTICS

Part Number *	Center Frequency $F_o$	Passband Min.		Stopband Max.		Attenuation Guaranteed Min.		Ripple Max.	Loss Max.	Terminating Impedance	Operating Temperature	No. of Poles
	MHz	dB	KHz	dB	KHz	dB	KHz	dB	dB	$\Omega$ /pF	$^{\circ}\text{C}$	
ECS-75SMF45A7.5B	45.000	3	$\pm 3.75$	30	$\pm 12.5$	80	-910	1.0	4.0	350//6.5	-30 ~ +80	4
ECS-75SMF45A20B	45.000	3	$\pm 10.0$	25	$\pm 25.0$	80	-910	1.0	3.0	500//2.5	-30 ~ +80	4
ECS-75SMF45A30B	45.000	3	$\pm 15.0$	30	$\pm 50.0$	80	-910	1.0	3.0	1000//1.0	-30 ~ +80	4
ECS-75SMF70.05A20B	70.050 *	3	$\pm 10.0$	20	$\pm 25.0$	70	-910	1.0	4.0	2500//1.0	-30 ~ +80	4

\* Indicates 3<sup>rd</sup> Overtone

### Package Dimensions (mm)

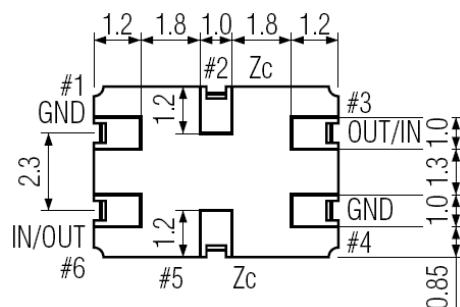
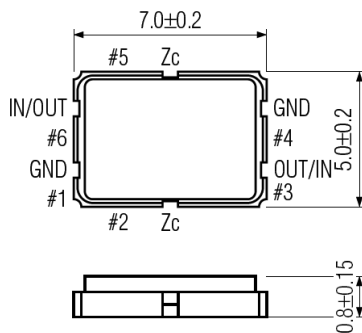


Figure 1) Top, Side and Bottom views

Pin Connections	
#1	Ground
#2	Zc
#3	Out/In
#4	Ground
#5	Zc
#6	In/Out

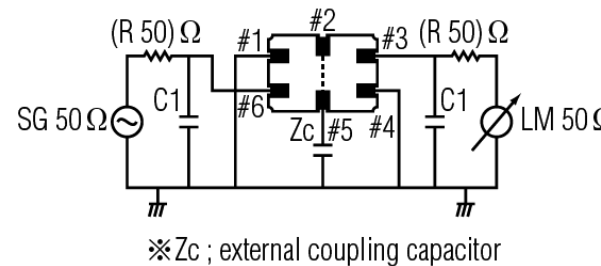


Figure 2) Test Circuit

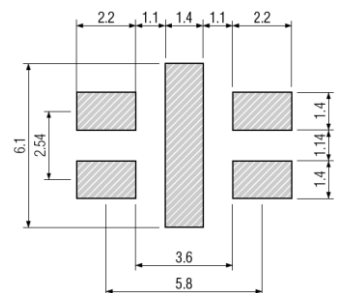


Figure 3) Land Pattern