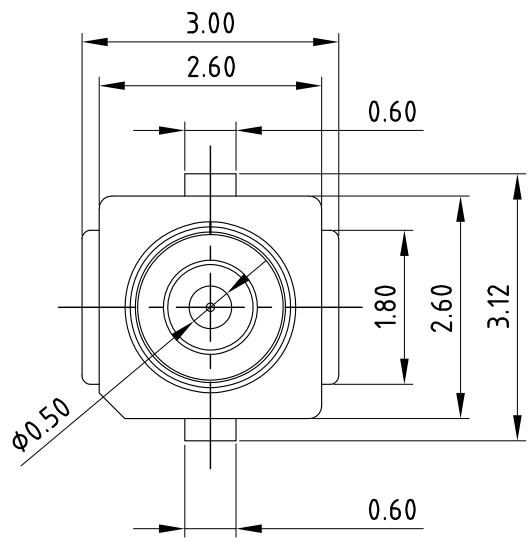
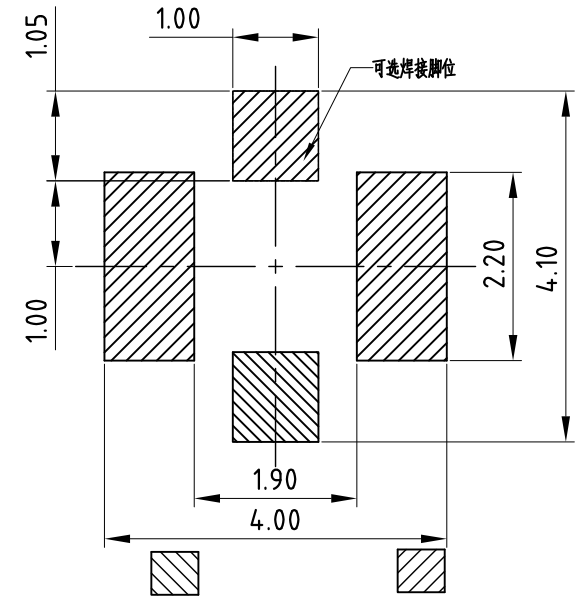


Kinghelm®

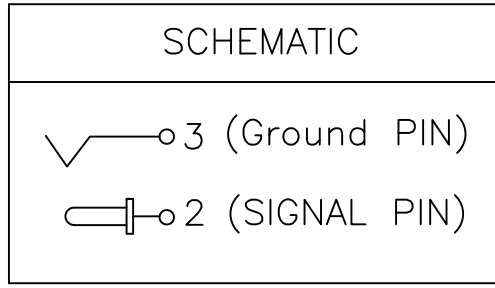
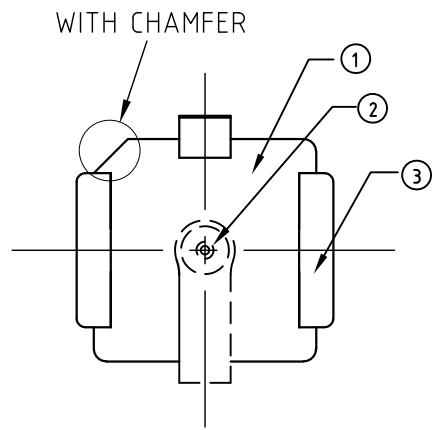
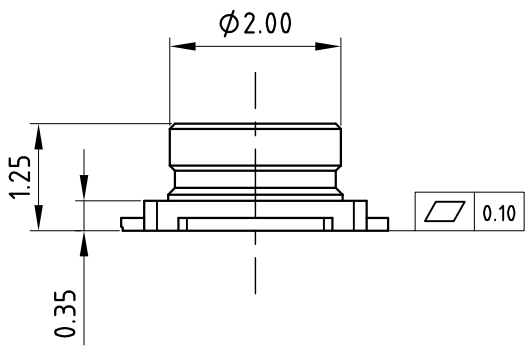
Rev.	ECN No.	DESCRIPTION
A		NEW RELEASE



- NOTES:
- FREQUENCY RANGE:
DC TO 6GHZ (VSWR: 1.3MAX AT 0.1~3GHZ, 1.4MAX AT 3~6GHZ)
 - CHARACTERISTIC IMPEDANCE: 50Ω(NOMINAL);
 - TEMPERATURE: -40°C TO +90°C;
 - RATED VOLTAGE : 60VAC;
 - CONTACT RESISTANCE :
20mΩ MAX.(SIGNAL CONTACT)
20mΩ MAX.(GROUND CONTACT)
 - WITHSTAND VOLTAGE : 200VAC FOR 1 MINUTE MIN;
 - INSULATION RESISTANCE : 500MΩ MIN. AT 100VDC;
 - THIS COMPONENT IS HALOGEN FREE.



SIGNAL CONTACT GROUND CONTACT
P.C.B DIMENSION (TOP VIEW)
(TOLLERRANCE ±0.05)



3	GROUND CONTACT	1	COPPER ALLOY	GOLD FLASH OVER Ni PLATED OVERALL.
2	CONTACT	1	COPPER ALLOY	GOLD FLASH OVER Ni PLATED OVERALL.
1	HOUSING	1	THERMOPLASTIC	UL94V-0
ITEM	NAME	Q'TY	MATERIAL	FINISH

TOLERANCES UNLESS OTHERWISE SPECIFIED

X.	±0.25	X.°	±2°
.X	±0.20	.X°	±1°
.XX	±0.15	.XX°	±0.5°

深圳市金航标电子有限公司 WWW.BDS666.COM

KH-IPEX-K501-29 0755-83044319

SERIES: RF 1G BOARD END TITLE: RF 1G H TYPE BOARD END

APPD: 王宁 2018/07/09 PART No.:

CKD: 段国强 2018/07/09

DR: 段国强 2018/07/09

UNITS	MAT'L	FINISH	SCALE	SHEET	REV.
MM	N/A	N/A	1:1	1/1	A

技术详询