

High Voltage Vacuum Relay

Features

Physical:

- Hermetically Sealed: arc contained
- Maintenance free
- Corona shield H.V. terminal available.

Environmental:

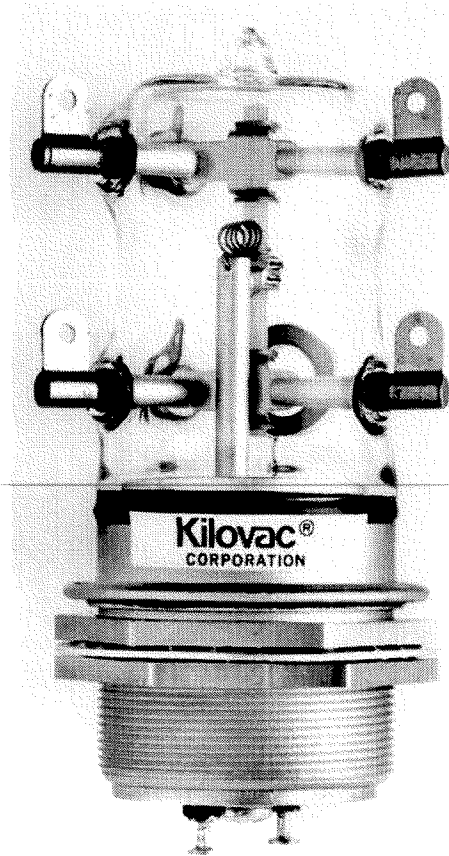
- Temperature range -55°C to 125°C
- 20G Shock

Ratings:

- 12 kVdc
- 5 kV @ 32 MHz
- 30 Adc carry

Coil Voltage & Power:

- 12, 26.5, 115 Vdc Standard



CI Technologies™
advanced control electronic solutions

P.O. Box 4422, Santa Barbara, CA 93140
Phone (805) 684-4560 Fax (805) 684-9679
E-Mail: info@ciitech.com
Internet: <http://www.ciitech.com/>

TITLE

High Voltage Vacuum Relay

PREP. BY Tanner 90-2-5

DWG NO.

H-16

D. BY RG 90-2-7

CAGE CODE

18741

SCALE

NA

SHEET

1 of 5

ENG APRVL RG 90-2-7

General Specifications

REV.
F

Physical Data

	Units	H-16
Contact Arrangement		DPDT
Form		2C
Weight	oz	6

Environmental Data

Shock, 11ms ½ sine	g_{peak}	20
Vibration, 10 g_{peak}	Hz	55-500
Operating Temperature Range	°C	-55 to +125

Electrical Data

Test Voltage (dc or 60 Hz)	kV_{peak}	15
Rated Operating Voltage		
dc or 60 Hz	kV_{peak}	12
2.5 MHz	kV_{peak}	10
16 MHz	kV_{peak}	8
32 MHz	kV_{peak}	5
Continuous Current Carry, Maximum		
dc or 60 Hz	A RMS	30
2.5 MHz	A RMS	10
16 MHz	A RMS	6
32 MHz	A RMS	4
Coil Hi-Pot	Vrms	500
Contact Capacitance		
Between Open Contacts	pF	1.0
Open Contacts to Ground	pF	2.5
Contact Resistance, maximum	Ohms	0.030
Mechanical Life	cycles	500,000

Mechanical Data

Operate Time, Maximum	ms	20
Release Time, Maximum	ms	20

1. RATINGS ARE FOR 25 °C SEA LEVEL CONDITIONS.
2. RELAY BASE MUST BE GROUNDED

CII Technologies™
advanced control electronic solutions

P.O. Box 4422, Santa Barbara, CA 93140
Phone: (805) 684-4560 Fax: (805) 684-9679
E-Mail: info@ciitech.com
Internet: <http://www.ciitech.com>

H-16

THIRD ANGLE PROJECTION



THIS DRAWING
PREPARED IN
ACCORDANCE WITH
ANSI/ASME Y14.5M-1982

CAGE CODE

18741

SCALE

NA

SHEET

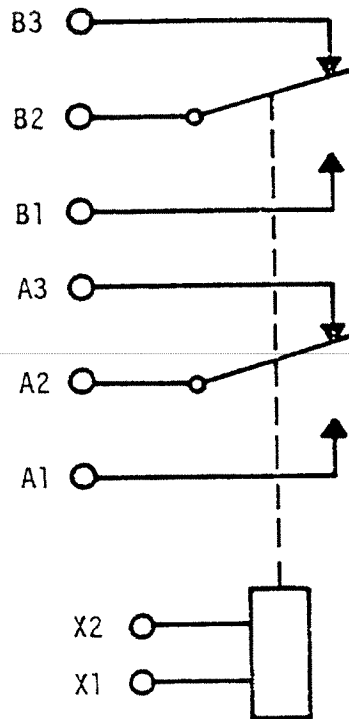
2 of 5

Coil & Electronics Data

REV.
F

	Units	H-16/12VDC	H-16	H-16/115VDC
Coil Voltage, nominal	Vdc	12	26.5	115
Pickup Voltage, maximum	Vdc	8	16	80
Drop-out Voltage	Vdc	.5-5	1-10	5-50
Coil Resistance ($\pm 10\%$)	Ohms	24	120	2000

Schematic



CII Technologies™
advanced control electronic solutions

P.O. Box 4422, Santa Barbara, CA 93140
Phone: (805) 684-4560 Fax: (805) 684-9679
E-Mail: info@ciitech.com
Internet: <http://www.ciitech.com>

H-16

THIRD ANGLE PROJECTION

THIS DRAWING
PREPARED IN
ACCORDANCE WITH
ANSI/ASME Y14.5M-1982

CAGE CODE

18741

SCALE

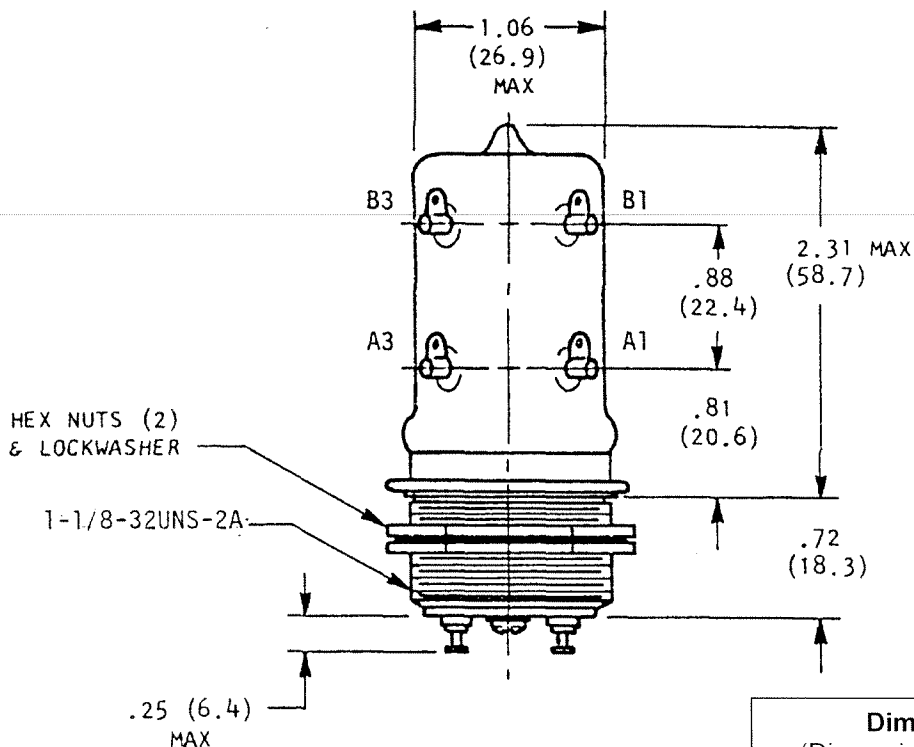
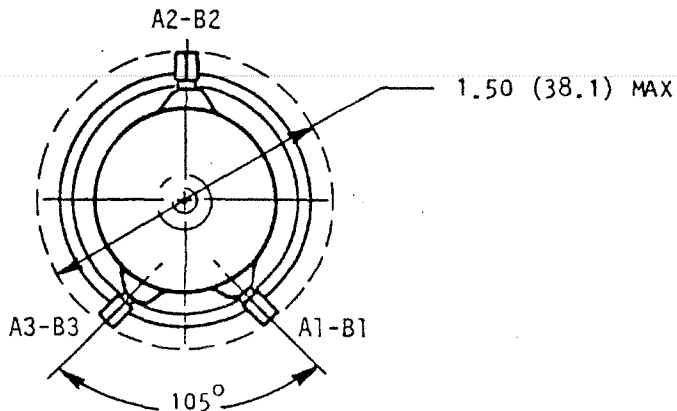
NA

SHEET

3 of 5

Part Drawing

REV.
F



Dimensions in Inches
 (Dimensions in Parentheses are in Millimeters)
 Tolerances Except as Noted
 .xx = ± .03
 .xxx = ± .010
 ∠ x° = ± 2°
DO NOT SCALE DWG.

CI TechnologiesTM
 advanced control electronic solutions

P.O. Box 4422, Santa Barbara, CA 93140
 Phone: (805) 684-4560 Fax: (805) 684-9679
 E-Mail: info@ciitech.com
 Internet: <http://www.ciitech.com>

H-16

THIRD ANGLE PROJECTION

THIS DRAWING
 PREPARED IN
 ACCORDANCE WITH
 ANSI/ASME Y14.5M-1982

CAGE CODE
 18741

SCALE
 NA

SHEET
 4 of 5

REV.
F

Revisions

REV.	DESCRIPTION	DATE	APP.
E	REV'D P1, 2,3, & 4 ECO 8033	90-2-7	RG
F	New Template per DCO 11856	99-9-7	RJG

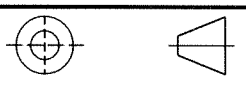


CII TechnologiesTM
advanced control electronic solutions

P.O. Box 4422, Santa Barbara, CA 93140
Phone: (805) 684-4560 Fax: (805) 684-9679
E-Mail: info@ciitech.com
Internet: <http://www.ciitech.com>

H-16

THIRD ANGLE PROJECTION



THIS DRAWING
PREPARED IN
ACCORDANCE WITH
ANSI/ASME Y14.5M-1982

CAGE CODE
18741

SCALE
NA

SHEET
5 of 5