

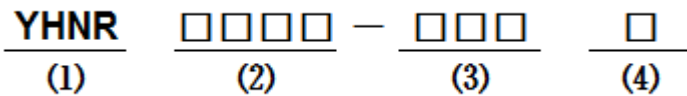
■ Features

- Low profile construction and miniature size.
- Magnetic shielded construction.
- High current saturation.
- Operating temperature:-40°C ~ +125°C.
- RoHS compliant

■ Applications

- For small DC/DC converter(HDD,DVC,DSC,PDA,LCD display etc.).
- Car navigation systems,telecom base stations.
- VR,AR,LED lighting.

■ Product Identification



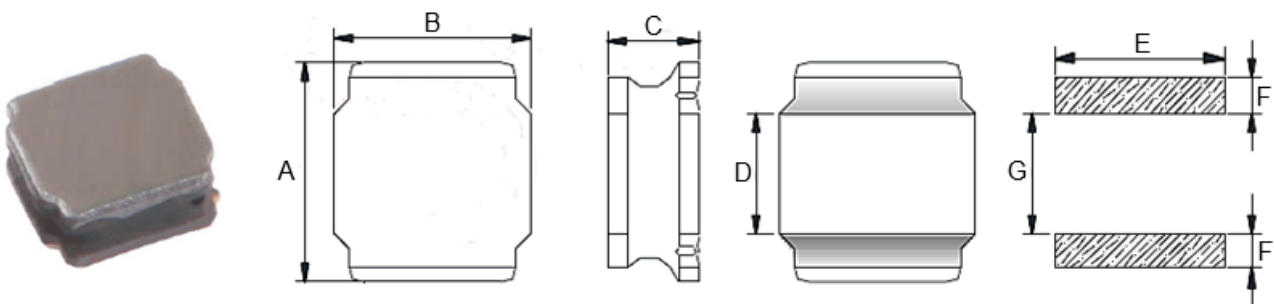
(1) : Type

(2) : Dimensions

(3) : Inductance value

(4) : Inductance Tolerance; N=±30%,M=±20%, K=±10%

■ Shapes and Dimensions (Unit: mm)



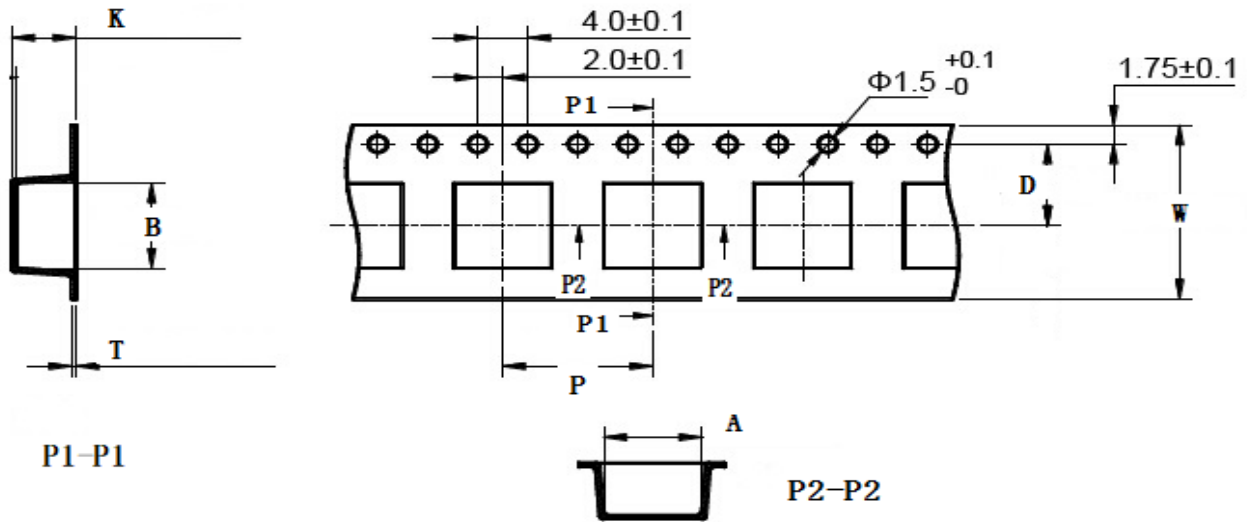
TYPE	A	B	C Max.	D	E Ref.	F Ref.	G Ref.
YHNR2016	2.0±0.2	1.6±0.2	1.08	0.80±0.2	1.60	0.80	0.80

■ YHNR2016 Series

Part Number	Inductance (uH) @100KHz	DC Resistance (Ω)		Heat Rating Current (A)	Saturation Current (A)
		Typ.	Max.		
YHNR2016-R24□	0.24	0.033	0.040	3.00	4.50
YHNR2016-R33□	0.33	0.041	0.049	2.70	4.40
YHNR2016-R47□	0.47	0.041	0.049	2.70	4.06
YHNR2016-R56□	0.56	0.043	0.053	2.60	3.80
YHNR2016-R68□	0.68	0.057	0.065	2.50	3.50
YHNR2016-1R0□	1.00	0.078	0.095	2.00	3.30
YHNR2016-1R5□	1.50	0.110	0.130	1.70	1.95
YHNR2016-2R2□	2.20	0.160	0.180	1.40	1.90
YHNR2016-3R3□	3.30	0.245	0.307	1.10	1.40
YHNR2016-4R7□	4.70	0.370	0.425	0.90	1.10
YHNR2016-6R8□	6.80	0.500	0.620	0.70	0.95
YHNR2016-8R2□	8.20	0.670	0.870	0.66	0.86
YHNR2016-100□	10.0	0.700	0.875	0.60	0.80
YHNR2016-150□	15.0	1.300	1.700	0.36	0.69

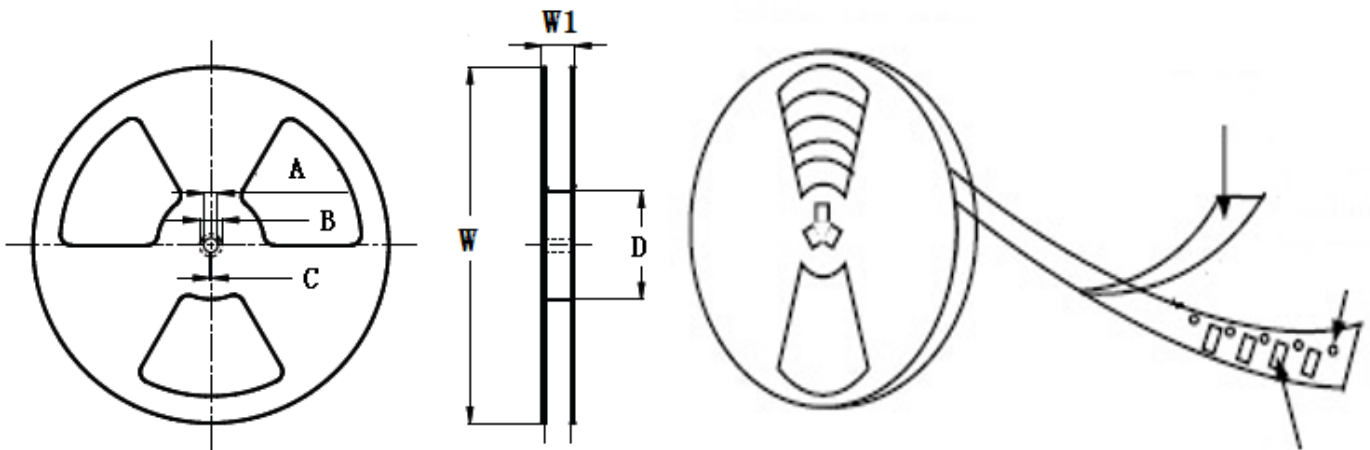
- ※ The saturation current value is the DC current value having inductance decrease down to 30%. (at 20°C)
- ※ The temperature rise current value is the DC current value having temperature increase up to 40°C. (at 20°C)
- ※ The rated current is the DC current value that satisfies both of current value saturation current value and temperature rise current value.

■ Taping Dimensions(Unit:mm)



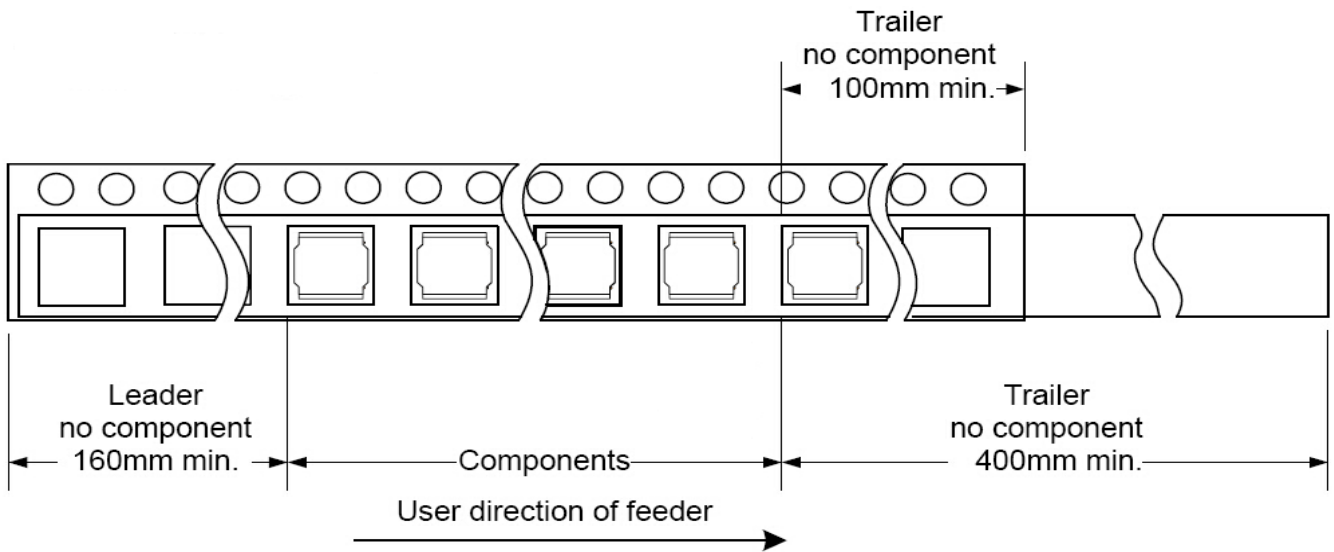
TYPE	Chip Thickness	W	A	B	D	P	K Max	T Max	MPQ
YHNR2016	1.00	8.00	2.00	2.40	3.50	4.00	1.20	0.25	2000

■ Reel Dimensions(Unit:mm)

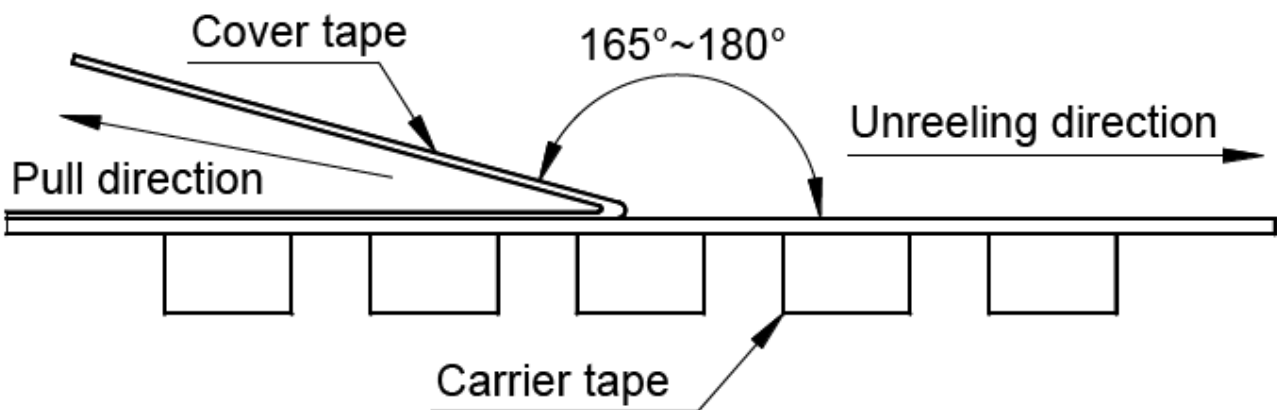


TYPE	W	W1	A	B	C	D
YHNR2016	178±2.0	8.40±1.50	4.3±0.20	5.0±0.10	3.0±0.10	58±2.0

Direction of rolling



Cover tape peel off condition



Cover tape peel force shall be 0.1N to 1.3N.

Reference peel speed 300±10mm/min.