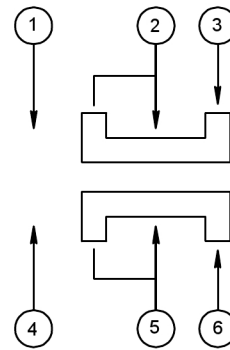
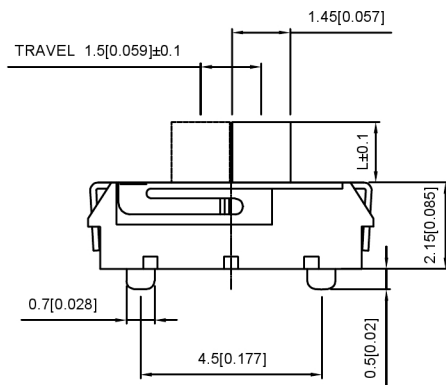


NOTE:
 Rating:DC 12V 50mA Operating
 Force:200±100gf
 Lifetime:10 000 Cycles

PAPT NO	L
SS-3380S-L0	1.5
SS-3380S-L1	2.0
SS-3380S-L2	3.0
SS-3380S-L3	4.0



ITEM	PAPT NAME	TER,NO	QTY	MATERIAL	FINISHING	REMAR
5	Terminal	—	6	Brass (0.30t)	ag Plated	
4	Contact spring	—	1	Phosphor branze	ag Plated	
3	Base	—	1	Lcp	Black	
2	Cover	—	1	Sus	Natural	
1	Keystake	—	1	Pa46	Black	

广东星坤科技股份有限公司

日期
 文件工程章

文件工程章

REVISIONS	DATE	REVISED	APPROVED	DESCRIPTION

DSND	SCALE: N/A	MODEL TYPE: SLIDE SWITCH
DWN	VIEW:	PART NO.: SS-3380S-X
CHKD	UNIT: mm/in	DWG NO.:
APPD	SIZE: A4	
XKB INDUSTRIAL PRECISION CO., LIMITED		WEIGHT
		SHEET
		REVISIC
		1/1
		A0

