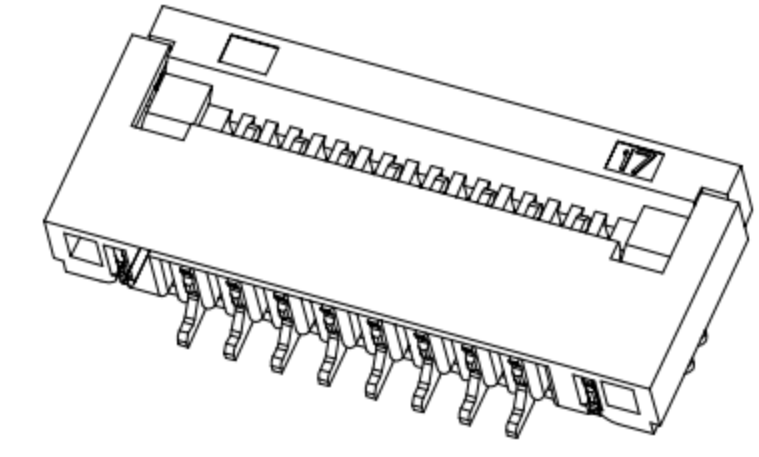
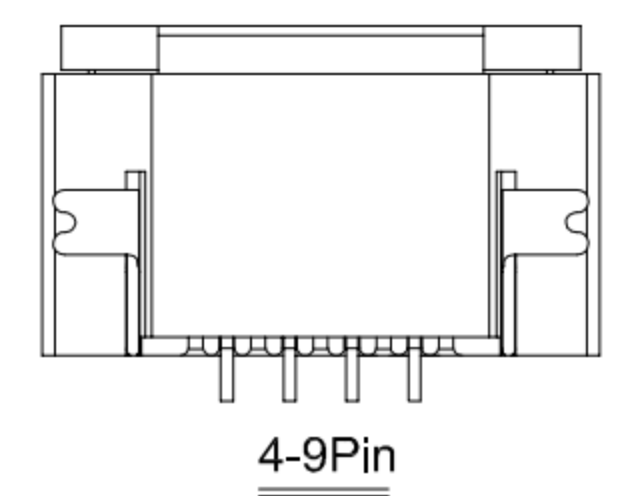
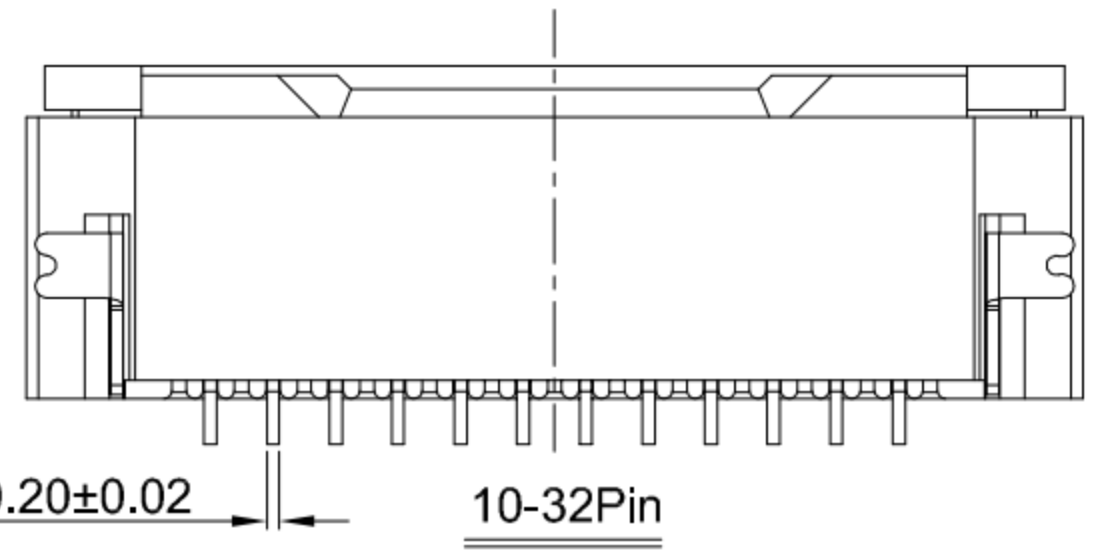
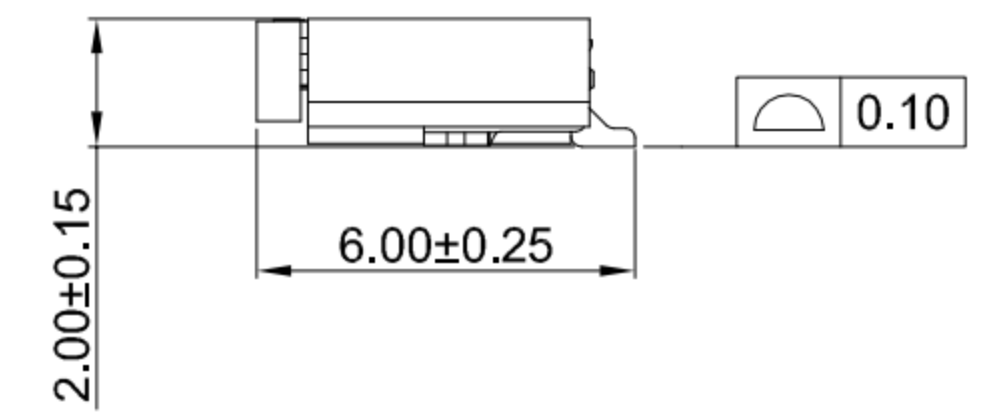
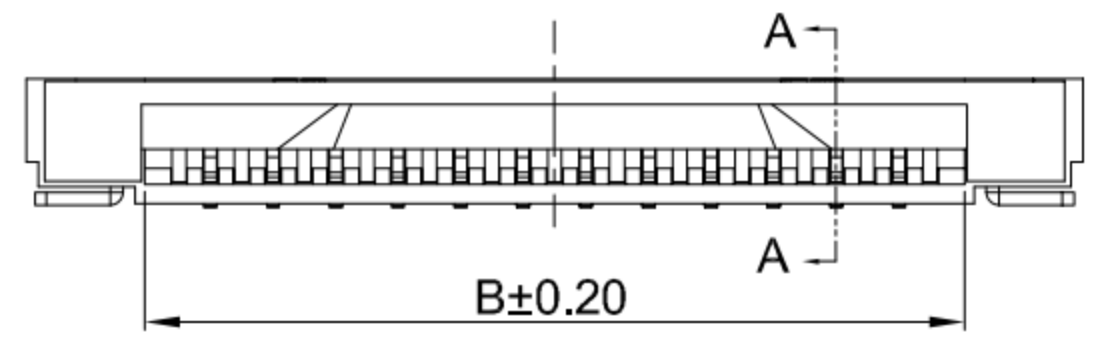


- G-Switch Specification:**
- 1.Current rated: 0.5A AC/DC
 - 2.Voltage rating: 50V AC/DC
 - 3.Withstanding voltage: 500V AC
 - 4.Contact resistance: 30mΩ max.
 - 5.Insulation resistance: 500MΩ min
 - 6.Durability cycle: 30Cycles
 - 7.Removal force: 0.04kgf/Pin min
 - 8.Operating temperature range: -25°C ~ +85°C



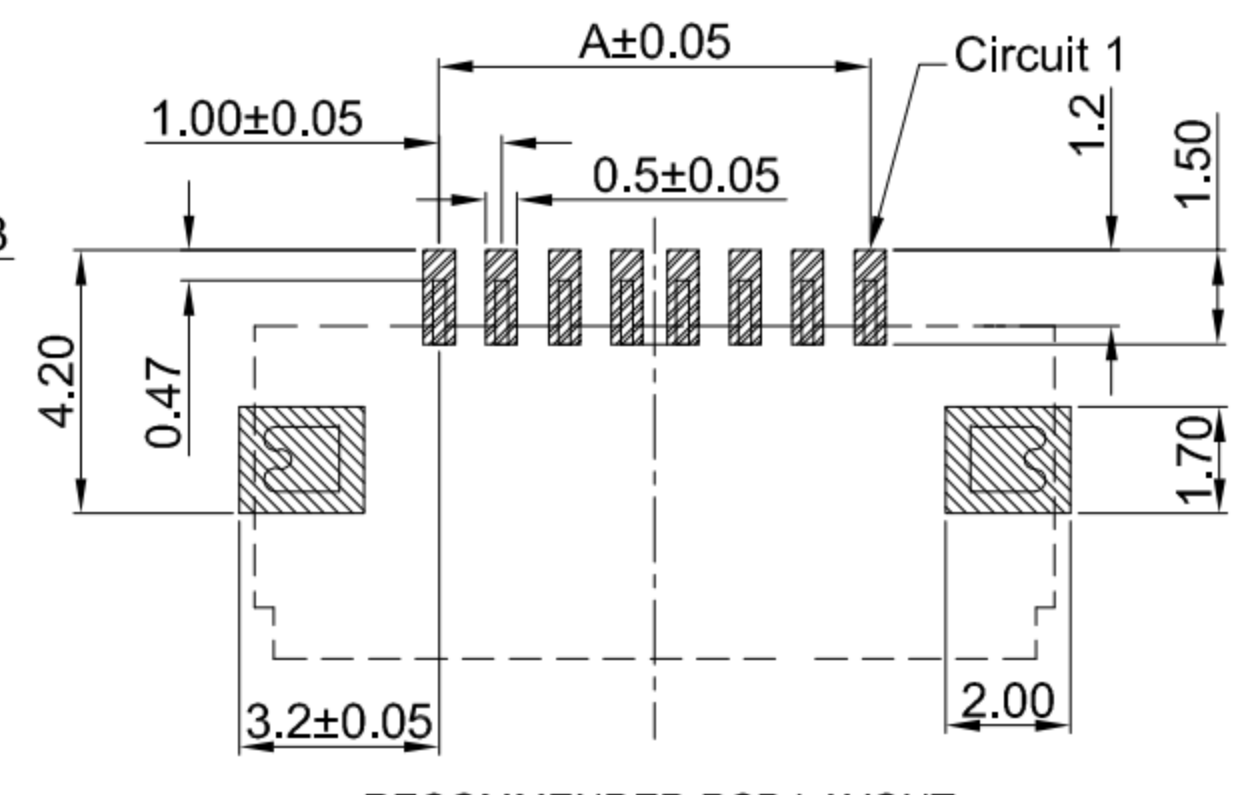
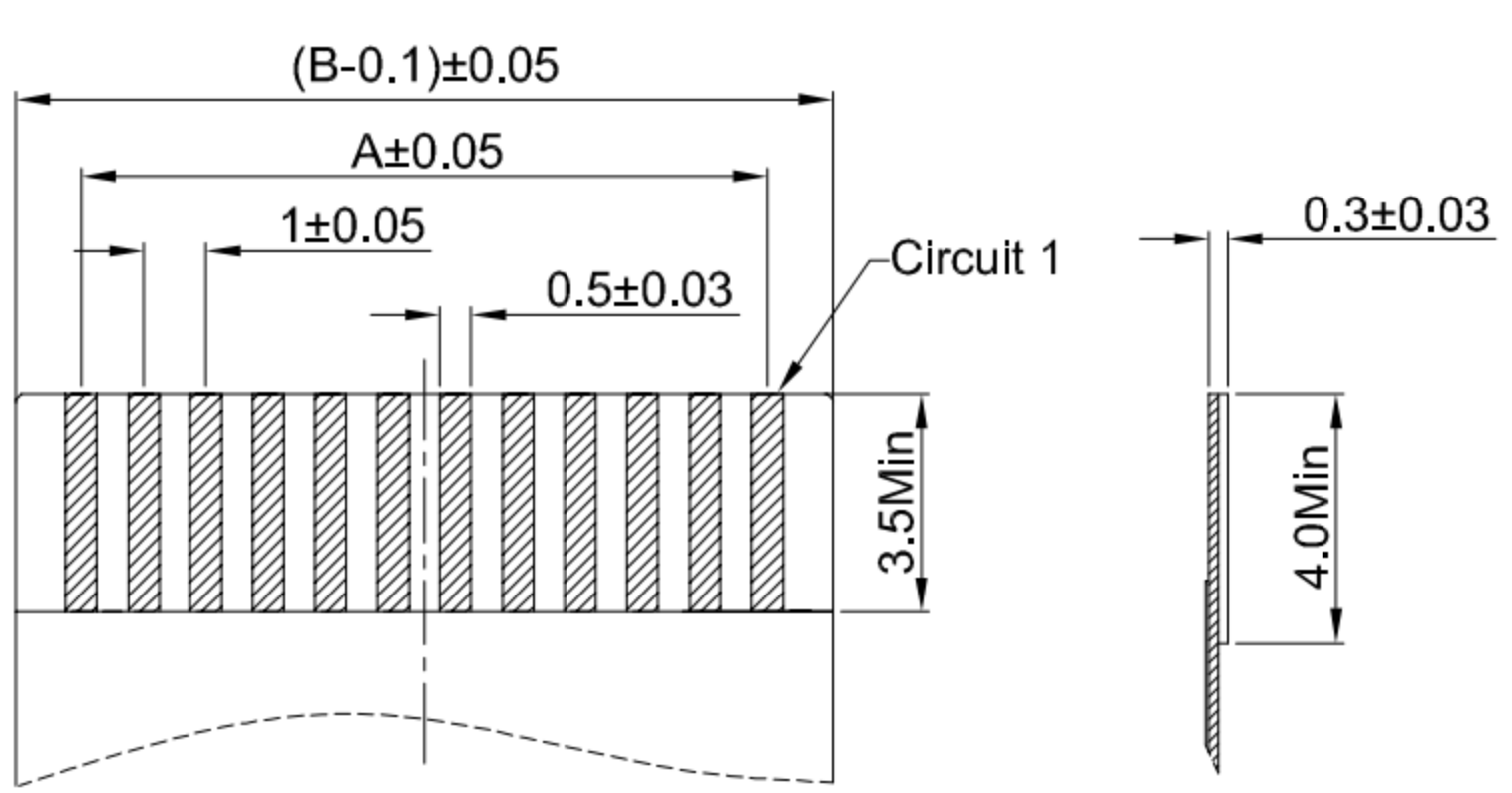
GT-F1008 S R 20 -XX X XX 01

- G-Switch**
- Series No**
- Termipoint**
S-SMT
- Angle**
R-90°
- Terminal Plating**
MT-Matte tin
01-G/F
- Housing Colour**
S-Nature
- Pin Q' PY**
04~32
- Height**
20-2.0mm



Ordering Information:

| Circuit | Dimensions(mm) | | | Circuit | Dimensions(mm) | | |
|---------|----------------|-------|-------|---------|----------------|-------|-------|
| | A | B | C | | A | B | C |
| 4 | 3.00 | 5.10 | 8.90 | 19 | 18.00 | 20.10 | 23.90 |
| 5 | 4.00 | 6.10 | 9.90 | 20 | 19.00 | 21.10 | 24.90 |
| 6 | 5.00 | 7.10 | 10.90 | 21 | 20.00 | 22.10 | 25.90 |
| 7 | 6.00 | 8.10 | 11.90 | 22 | 21.00 | 23.10 | 26.90 |
| 8 | 7.00 | 9.10 | 12.90 | 23 | 22.00 | 24.10 | 27.90 |
| 9 | 8.00 | 10.10 | 13.90 | 24 | 23.00 | 25.10 | 28.90 |
| 10 | 9.00 | 11.10 | 14.90 | 25 | 24.00 | 26.10 | 29.90 |
| 11 | 10.00 | 12.10 | 15.90 | 26 | 25.00 | 27.10 | 30.90 |
| 12 | 11.00 | 13.10 | 16.90 | 27 | 26.00 | 28.10 | 31.90 |
| 13 | 12.00 | 14.10 | 17.90 | 28 | 27.00 | 29.10 | 32.90 |
| 14 | 13.00 | 15.10 | 18.90 | 29 | 28.00 | 30.10 | 33.90 |
| 15 | 14.00 | 16.10 | 19.90 | 30 | 29.00 | 31.10 | 34.90 |
| 16 | 15.00 | 17.10 | 20.90 | 31 | 30.00 | 32.10 | 35.90 |
| 17 | 16.00 | 18.10 | 21.90 | 32 | 31.00 | 33.10 | 36.90 |
| 18 | 17.00 | 19.10 | 22.90 | --- | --- | --- | --- |



RECOMMENDED PCB LAYOUT
TOLERANCE:±0.05

| | | | |
|-----|-------------|-----------------|---|
| 4 | SOLDER TABS | PHOSPHOR BRONZE | MATTE Tin |
| 3 | CONTACT | PHOSPHOR BRONZE | MATTE Tin Or Gold-Flash On Contact Area |
| 2 | COVER | LCP,94V-0 | BLACK |
| 1 | HOUSING | LCP,94V-0 | NATURE |
| NO. | PART NAME | MATERIAL | REMARK |



SCALE: 1:1 UNIT: mm
 SIZE: A4
 Unless otherwise General Tolerance:
 X ±0.40
 X.x ±0.30
 X.xx ±0.20
 X* ±5°
 X.x° ±3°

Title: FPC 1.00mm Pitch 90° H2.0mm SMT Type Connector
 Molde Code: GT-F1008SR20-XXXXX01
 DRAWN: JIANG CHECKED: HU APPROVED: CHEN DATE: 2021.06.28



REV: A0 SHEET: 1/1