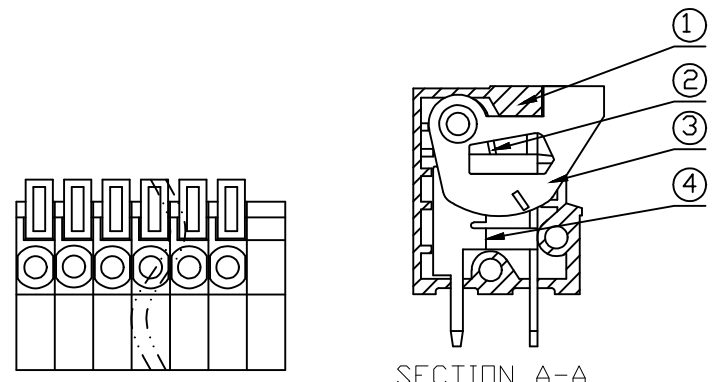
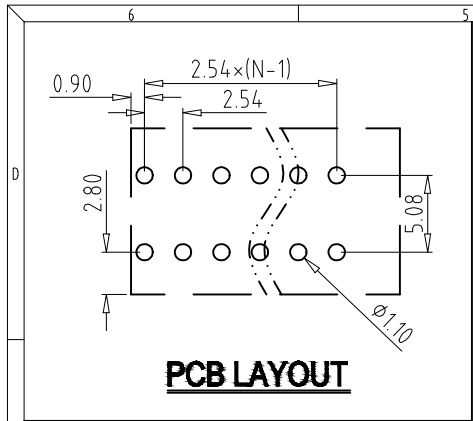
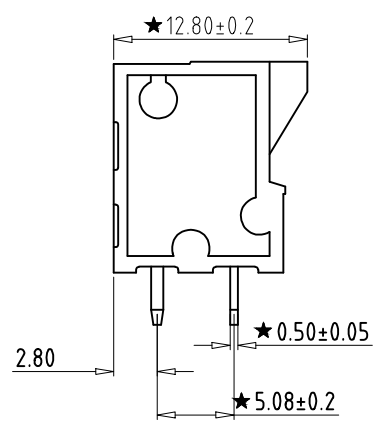
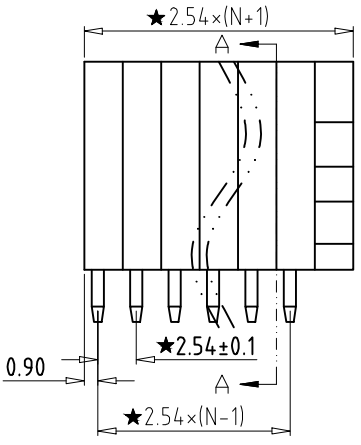
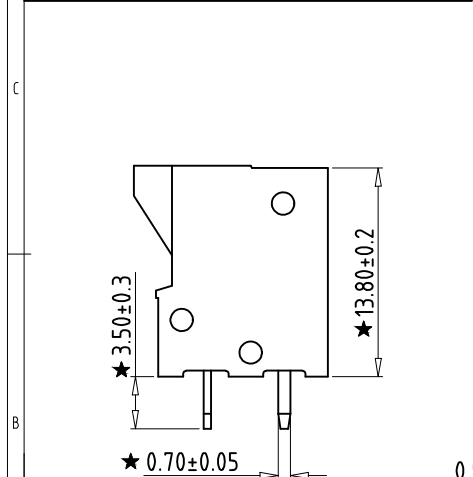


REV	CONTENT	CHK	DATE
V0.0	CONTENT	MYZ	21.07.14



Electrical :

- | | | |
|---|---------------|------------------------|
| | UL | IEC |
| 1. Rated Voltage : | 150V | 130V |
| 2. Rated Current : | 2A | 6A |
| 3. Wire Range : | 24-20AWG | 0.2-1.0mm ² |
| 4. Stripping Length : | 10-11mm | |
| 5. Withstanding Voltage : | AC1250V/1Min. | |
| 6. Operating Temperature : | -40°C~+105°C | |
| 7. RoHS Compliance | | |
| 8. Safty Approval : | eULus CE | |
| 9. ★ " is the key quality control point | | |



- TY141V - 2.54 -XXP - X X - 00**
- | | | | | | |
|---------------------------------|-------------------|---------------|---------------|--------|---------------|
| ① | ② | ③ | ④ | ⑤ | ⑥ |
| Series NO. | Pitch | Poles | Color: 1 Grey | 2 Blue | 3 Black |
| ④ 1 Single Pitch | ⑤ Color: 4 Green | 02 02Contacts | 5 Orange | 6 Red | 7 Transparent |
| ④ 2 Double Pitch | ⑤ Color: 8 Yellow | 03 03Contacts | 9 White | | |
| | | 24 24Contacts | | | |
| ⑥ Customer Request: 00-Standard | | | | | |

Total Pitch Tolerances in mm										Nominal dimension range in mm										⊥	≡	-	//	
over	over	over	over	over	over	over	over	over	over	over	over	over	over	over	over	over	over	over	over	0	over	over	over	over
0	30	53	70	90	115	150	250	350	500	0	30	53	70	90	115	150	200	250	320	10	all	0	100	150
±0.18	±0.20	±0.25	±0.3	±0.35	±0.44	±0.60	±0.70	±0.85	±0.20	±0.25	±0.30	±0.35	±0.44	±0.55	±0.70	±0.80	±0.90	0.2	0.3	0.3	0.2	0.3	0.5	

4	PIN	XX	N	BRASS	Tin Plated
3	Button	XX	N	POM UL94V-2	SEE NOTE
2	Spring	XX	N	Stainless steel	/
1	HOUSING	XX	1	PA66 UL94V-0	SEE NOTE
ITEM	NAME OF PART	NO. OF PART	Q'TY	MATERIAL	NOTE
DWG.	MYZ	DATE	21.07.14	SIZE	A4 UNITS mm SHEET/OF 1 / 1
CHK.	DATE			SCALE	1:1
APP.	DATE			NAME	TY141V-2.54-XXP-XX-00
				DWGNO.	XXXX

拓宜(上海)工控电器设备有限公司
 Topone(Shanghai) Industrial Control Electrical Equipment Co., LTD.