



CD4015 (LX)

Dual 4-bit Static Shift Register

Product Specification

Specification Revision History:

Version	Date	Description
2023-05-A1	2023-05	New



灵星芯微 芯片经营

Contents

1、 General Description.....	3
2、 Block Diagram And Pin Description	4
2.1、 Block Diagram	4
2.2、 Pin Configurations.....	4
2.3、 Pin Description	5
2.4、 Function Table.....	5
3、 Electrical Parameter	5
3.1、 Absolute Maximum Ratings.....	5
3.2、 Recommended Operating Conditions	6
3.3、 Electrical Characteristics	6
3.3.1、 DC Characteristics 1	6
3.3.2、 DC Characteristics 2	7
3.3.3、 AC Characteristics 1	7
3.3.4、 AC Characteristics 2	8
4、 Testing Circuit	9
4.1、 AC Testing Circuit	9
4.2、 Test Data	9
4.3、 AC Testing Waveforms.....	9
4.4、 Measurement Points	10
5、 Package Information	11
5.1、 DIP16	11
5.2、 SOP16	12
5.3、 TSSOP16.....	13
6、 Statements And Notes	14
6.1、 The name and content of Hazardous substances or Elements in the product	14



1、General Description

The CD4015 is a dual edge-triggered 4-bit static shift register (serial-to-parallel converter).

Features:

- Supply voltage range: 3V to 15V
- Temperature range: -40°C to +125°C
- Packaging information: DIP16/SOP16/TSSOP16

Ordering Information:

Tube packing specifications:

Part number	Packaging form	Marking code	Tube quantity	Boxed tube quantity	Boxed quantity	Notes
CD4015BE(LX)	DIP16	CD4015BE	25 PCS/tube	40 tube/box	1000 PCS/box	Dimensions of plastic enclosure: 19.0mm×6.4mm Pin spacing: 2.54mm
CD4015BM(LX)	SOP16	CD4015BM	50 PCS/tube	200 tube/box	10000 PCS/box	Dimensions of plastic enclosure: 10.0mm×3.9mm Pin spacing: 1.27mm
CD4015BPWR(LX)	TSSOP16	CD4015BPWR	96 PCS/tube	200 tube/box	19200 PCS/box	Dimensions of plastic enclosure: 5.0mm×4.4mm Pin spacing: 0.65mm

Reel packing specifications:

Part number	Packaging form	Marking code	Reel quantity	Boxed reel quantity	Notes
CD4015BM(LX)	SOP16	CD4015BM	4000 PCS/reel	8000 PCS/box	Dimensions of plastic enclosure: 10.0mm×3.9mm Pin spacing: 1.27mm
CD4015BPWR(LX)	TSSOP16	CD4015BPWR	5000 PCS/reel	10000 PCS/box	Dimensions of plastic enclosure: 5.0mm×4.4mm Pin spacing: 0.65mm

Note: If the physical information is inconsistent with the ordering information, please refer to the actual product.



2、Block Diagram And Pin Description

2.1、Block Diagram

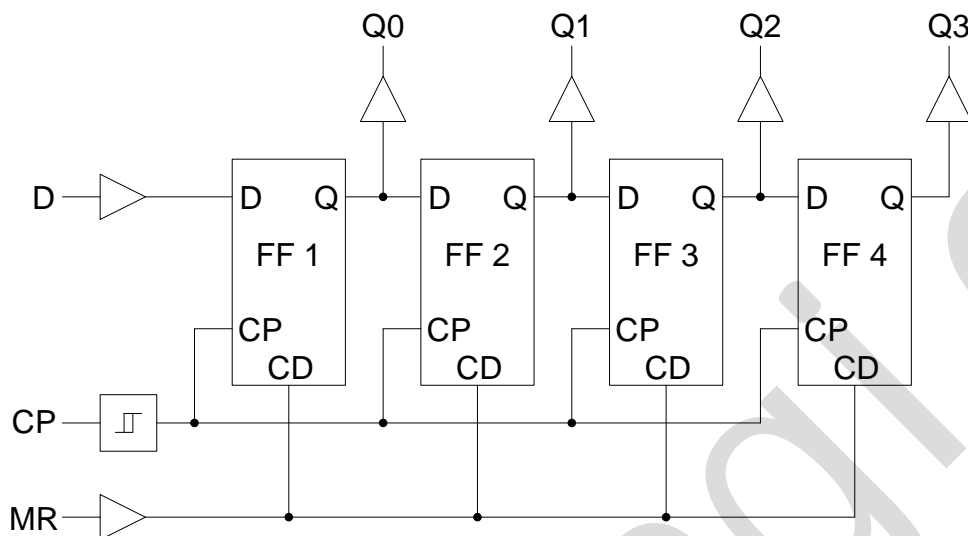
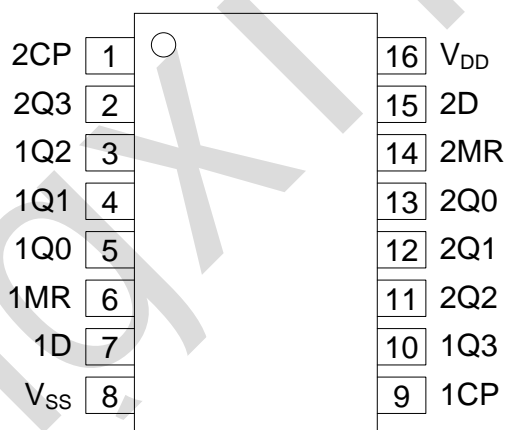


Figure 1. Functional diagram

2.2、Pin Configurations





2.3、Pin Description

Pin No.	Pin Name	Description
1	2CP	clock input (LOW-to-HIGH edge-triggered)
2	2Q3	parallel output
3	1Q2	parallel output
4	1Q1	parallel output
5	1Q0	parallel output
6	1MR	master reset input(active high)
7	1D	serial data input
8	V _{SS}	ground (0V)
9	1CP	clock input (LOW-to-HIGH edge-triggered)
10	1Q3	parallel output
11	2Q2	parallel output
12	2Q1	parallel output
13	2Q0	parallel output
14	2MR	master reset input(active high)
15	2D	serial data input
16	V _{DD}	supply voltage

2.4、Function Table

Input			Output			
CP	D	MR	Q0	Q1	Q2	Q3
↑	D1	L	D1	X	X	X
↑	D2	L	D2	D1	X	X
↑	D3	L	D3	D2	D1	X
↑	D4	L	D4	D3	D2	D1
↓	X	L	No change	No change	No change	No change
X	X	H	L	L	L	L

Note:

H=HIGH voltage level; L=LOW voltage level; X=don't care; Dn=either HIGH or LOW;
↑=positive-going transition; ↓=negative-going transition..

3、Electrical Parameter

3.1、Absolute Maximum Ratings

(Voltages are referenced to V_{SS} (ground=0V), unless otherwise specified.)

Parameter	Symbol	Conditions	Min.	Max.	Unit
supply voltage	V _{DD}	-	-0.5	+18	V
input voltage	V _I	all inputs	-0.5	V _{DD} +0.5	V
DC input current	I _{IK}	any one input	-	±10	mA
storage temperature	T _{stg}	-	-65	+150	°C
soldering temperature	T _L	10s	DIP	245	°C
			SOP/TSSOP	260	



3.2、Recommended Operating Conditions

Parameter	Symbol	Conditions	Min.	Typ.	Max.	Unit
supply voltage	V_{DD}	-	3	-	15	V
ambient temperature	T_{amb}	in free air	-40	-	+125	°C

3.3、Electrical Characteristics

3.3.1、DC Characteristics 1

($T_{amb}=-40^{\circ}\text{C}$ to $+85^{\circ}\text{C}$, voltages are referenced to V_{SS} (ground=0V), unless otherwise specified.)

Parameter	Symbol	V_{DD}	Conditions	Min.	Typ.	Max.	Unit
HIGH-level input voltage	V_{IH}	5V	-	3.5	-	-	V
		10V	-	7	-	-	V
		15V	-	11	-	-	V
LOW-level input voltage	V_{IL}	5V	-	-	-	1.5	V
		10V	-	-	-	3	V
		15V	-	-	-	4	V
HIGH-level output voltage	V_{OH}	5V	$ I_O < 1\mu\text{A}$	4.95	-	-	V
		10V	$ I_O < 1\mu\text{A}$	9.95	-	-	V
		15V	$ I_O < 1\mu\text{A}$	14.95	-	-	V
LOW-level output voltage	V_{OL}	5V	$ I_O < 1\mu\text{A}$	-	-	0.05	V
		10V	$ I_O < 1\mu\text{A}$	-	-	0.05	V
		15V	$ I_O < 1\mu\text{A}$	-	-	0.05	V
HIGH-level output current	I_{OH}	5V	$V_O=4.6\text{V}$	-	-	-0.34	mA
		5V	$V_O=2.5\text{V}$	-	-	-1.3	mA
		10V	$V_O=9.5\text{V}$	-	-	-0.55	mA
		15V	$V_O=13.5\text{V}$	-	-	-1.65	mA
LOW-level output current	I_{OL}	5V	$V_O=0.4\text{V}$	0.34	-	-	mA
		10V	$V_O=0.5\text{V}$	0.46	-	-	mA
		15V	$V_O=1.5\text{V}$	1.4	-	-	mA
input leakage current	I_I	15V	$V_I=15\text{V}$ or GND	-	-	± 1	μA
supply current	I_{DD}	5V	$V_I=5\text{V}$ or GND; $I_O=0\text{A}$	-	-	150	μA
		10V	$V_I=10\text{V}$ or GND; $I_O=0\text{A}$	-	-	300	μA
		15V	$V_I=15\text{V}$ or GND; $I_O=0\text{A}$	-	-	600	μA



3.3.2、DC Characteristics 2

($T_{amb}=-40^{\circ}\text{C}$ to $+125^{\circ}\text{C}$, voltages are referenced to V_{SS} (ground=0V), unless otherwise specified.)

Parameter	Symbol	V_{DD}	Conditions	Min.	Typ.	Max.	Unit
HIGH-level input voltage	V_{IH}	5V	-	3.5	-	-	V
		10V	-	7	-	-	V
		15V	-	11	-	-	V
LOW-level input voltage	V_{IL}	5V	-	-	-	1.5	V
		10V	-	-	-	3	V
		15V	-	-	-	4	V
HIGH-level output voltage	V_{OH}	5V	$ I_O <1\mu\text{A}$	4.95	-	-	V
		10V	$ I_O <1\mu\text{A}$	9.95	-	-	V
		15V	$ I_O <1\mu\text{A}$	14.95	-	-	V
LOW-level output voltage	V_{OL}	5V	$ I_O <1\mu\text{A}$	-	-	0.05	V
		10V	$ I_O <1\mu\text{A}$	-	-	0.05	V
		15V	$ I_O <1\mu\text{A}$	-	-	0.05	V
HIGH-level output current	I_{OH}	5V	$V_O=4.6\text{V}$	-	-	-0.3	mA
		5V	$V_O=2.5\text{V}$	-	-	-1.15	mA
		10V	$V_O=9.5\text{V}$	-	-	-0.45	mA
		15V	$V_O=13.5\text{V}$	-	-	-1.4	mA
LOW-level output current	I_{OL}	5V	$V_O=0.4\text{V}$	0.29	-	-	mA
		10V	$V_O=0.5\text{V}$	0.38	-	-	mA
		15V	$V_O=1.5\text{V}$	1.2	-	-	mA
input leakage current	I_I	15V	$V_I=15\text{V}$ or GND	-	-	± 1	μA
supply current	I_{DD}	5V	$V_I=5\text{V}$ or GND; $I_O=0\text{A}$	-	-	150	μA
		10V	$V_I=10\text{V}$ or GND; $I_O=0\text{A}$	-	-	300	μA
		15V	$V_I=15\text{V}$ or GND; $I_O=0\text{A}$	-	-	600	μA

3.3.3、AC Characteristics 1

($T_{amb}=-40^{\circ}\text{C}$ to $+85^{\circ}\text{C}$, $V_{SS}=0\text{V}$, unless otherwise specified.)

Parameter	Symbol	V_{DD}	Conditions	Min.	Typ.	Max.	Unit
nCP to Qn propagation delay time	t_{PHL}, t_{PLH}	5V	$C_L=50\text{pF}$, see Figure 3	-	125	250	ns
		10V		-	55	110	ns
		15V		-	40	80	ns
MR to Qn HIGH to LOW propagation delay	t_{PHL}	5V	$C_L=50\text{pF}$, see Figure 4	-	120	240	ns
		10V		-	55	110	ns
		15V		-	40	80	ns
transition time	t_{THL}, t_{TLH}	5V	$C_L=50\text{pF}$, see Figure 3	-	60	120	ns
		10V		-	30	60	ns
		15V		-	20	40	ns
nD to nCP set-up time	t_{su}	5V	$C_L=50\text{pF}$, see Figure 5	+25	-15	-	ns
		10V		+25	-10	-	ns
		15V		+20	-5	-	ns
nD to nCP hold time	t_h	5V	$C_L=50\text{pF}$, see Figure 5	40	20	-	ns
		10V		20	10	-	ns



		15V		15	8	-	ns
CP LOW; Minimum width Pulse width	tw	5V	C _L =50pF, see Figure 5	60	30	-	ns
		10V		30	15	-	ns
		15V		20	10	-	ns
nMR HIGH; minimum width;	tw	5V	C _L =50pF, see Figure 4	80	40	-	ns
		10V		30	15	-	ns
		15V		24	12	-	ns
recovery time	trec	5V	C _L =50pF, see Figure 4	50	20	-	ns
		10V		30	10	-	ns
		15V		20	5	-	ns
Maximum frequency	fmax	5V	C _L =50pF, see Figure 5	7	15	-	MHZ
		10V		15	30	-	MHZ
		15V		22	44	-	MHZ

3.3.4、AC Characteristics 2

(T_{amb}=-40°C to +125°C, V_{SS}=0V, unless otherwise specified.)

Parameter	Symbol	V _{DD}	Conditions	Min.	Typ.	Max.	Unit
nCP to Qn propagation delay time	t _{PHL} , t _{PLH}	5V	C _L =50pF, see Figure 3	-	-	300	ns
		10V		-	-	132	ns
		15V		-	-	96	ns
MR to Qn HIGH to LOW propagation delay	t _{PHL}	5V	C _L =50pF, see Figure 4	-	-	288	ns
		10V		-	-	132	ns
		15V		-	-	96	ns
transition time	t _{THL} , t _{TLH}	5V	C _L =50pF, see Figure 3	-	-	244	ns
		10V		-	-	72	ns
		15V		-	-	48	ns
nD to nCP set-up time	tsu	5V	C _L =50pF, see Figure 5	30	-	-	ns
		10V		30	-	-	ns
		15V		24	-	-	ns
nD to nCP hold time	th	5V	C _L =50pF, see Figure 6	48	-	-	ns
		10V		24	-	-	ns
		15V		18	-	-	ns
CP LOW; Minimum width Pulse width	tw	5V	C _L =50pF, see Figure 6	72	-	-	ns
		10V		36	-	-	ns
		15V		24	-	-	ns
nMR HIGH; minimum width;	tw	5V	C _L =50pF, see Figure 4	96	-	-	ns
		10V		36	-	-	ns
		15V		28	-	-	ns
recovery time	trec	5V	C _L =50pF, see Figure 4	60	-	-	ns
		10V		36	-	-	ns
		15V		24	-	-	ns
Maximum frequency	fmax	5V	C _L =50pF, see Figure 5	5.8	-	-	MHZ
		10V		12.5	-	-	MHZ
		15V		18.3	-	-	MHZ



4、Testing Circuit

4.1、AC Testing Circuit

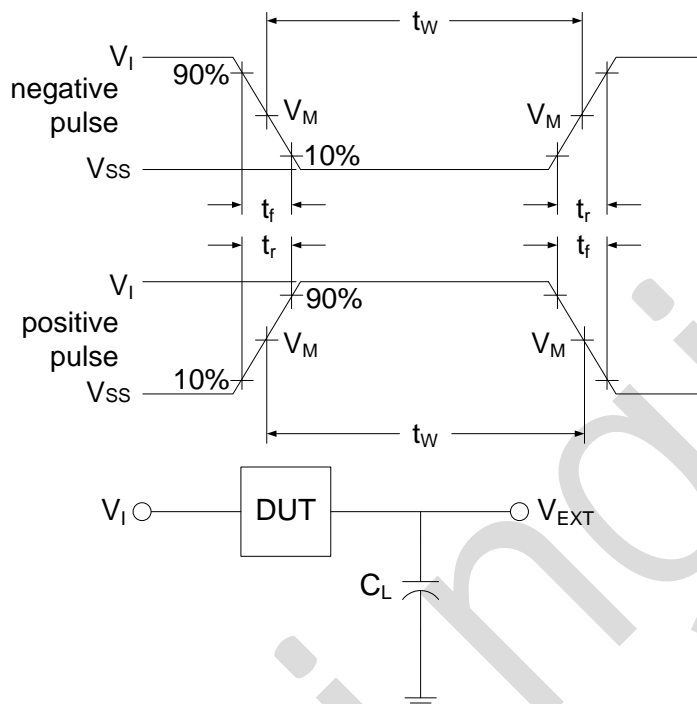


Figure 2. Load circuit

C_L includes probe and jig capacitance.

4.2、Test Data

Supply voltage	Input		Load	V_{EXT}		
V_{DD}	V_I	$t_r = t_f$	C_L	t_{PLH}/t_{PHL}	t_{PLZ}/t_{PZL}	t_{PHZ}/t_{PZH}
5V to 15V	V_{DD}	$\leq 20\text{ns}$	50pF	Open	V_{DD}	V_{SS}

4.3、AC Testing Waveforms

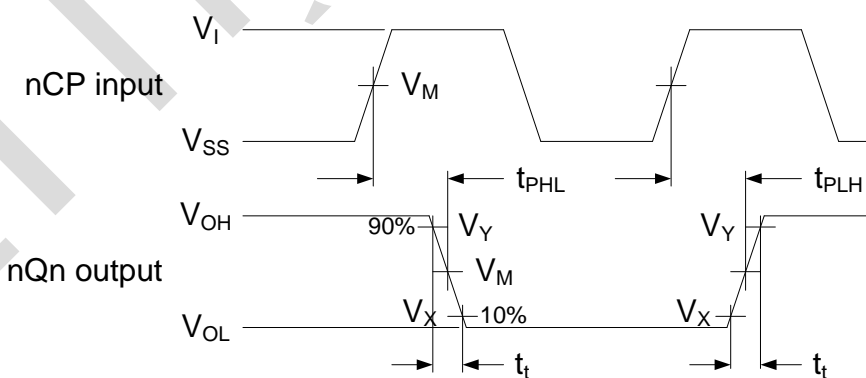


Figure 3. Propagation delay, output transition time

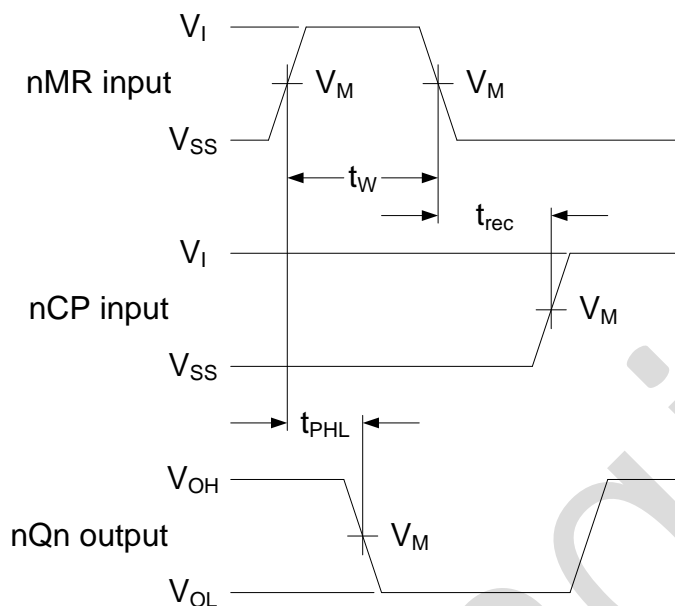


Figure 4. Waveforms showing MR recovery time, propagation delay and minimum pulse width

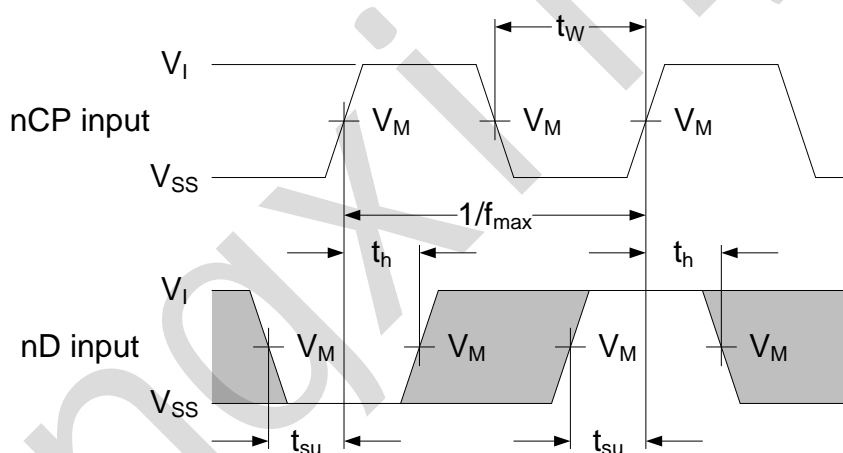


Figure 5. Waveforms showing set-up times, hold times, and minimum clock pulse width

4.4. Measurement Points

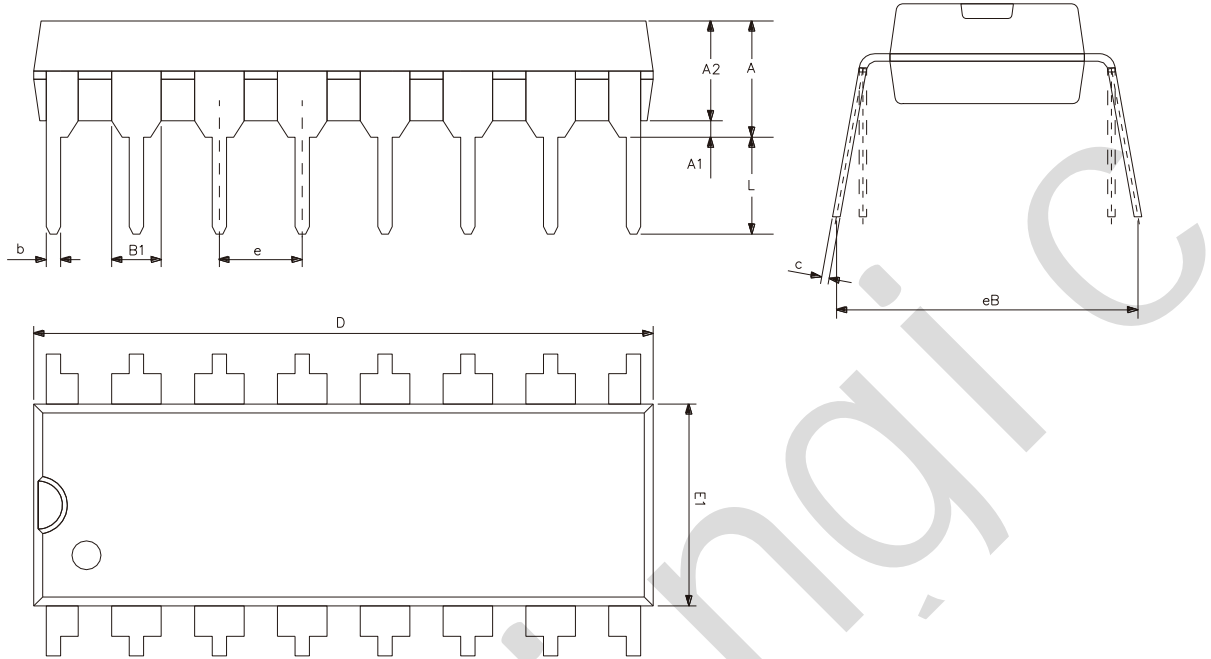
Supply voltage	Input	Output		
V_{DD}	V_M	V_M	V_X	V_Y
5V to 15V	$0.5 \times V_{DD}$	$0.5 \times V_{DD}$	$0.1 \times V_{DD}$	$0.9 \times V_{DD}$



灵星芯微 专注经营

5、Package Information

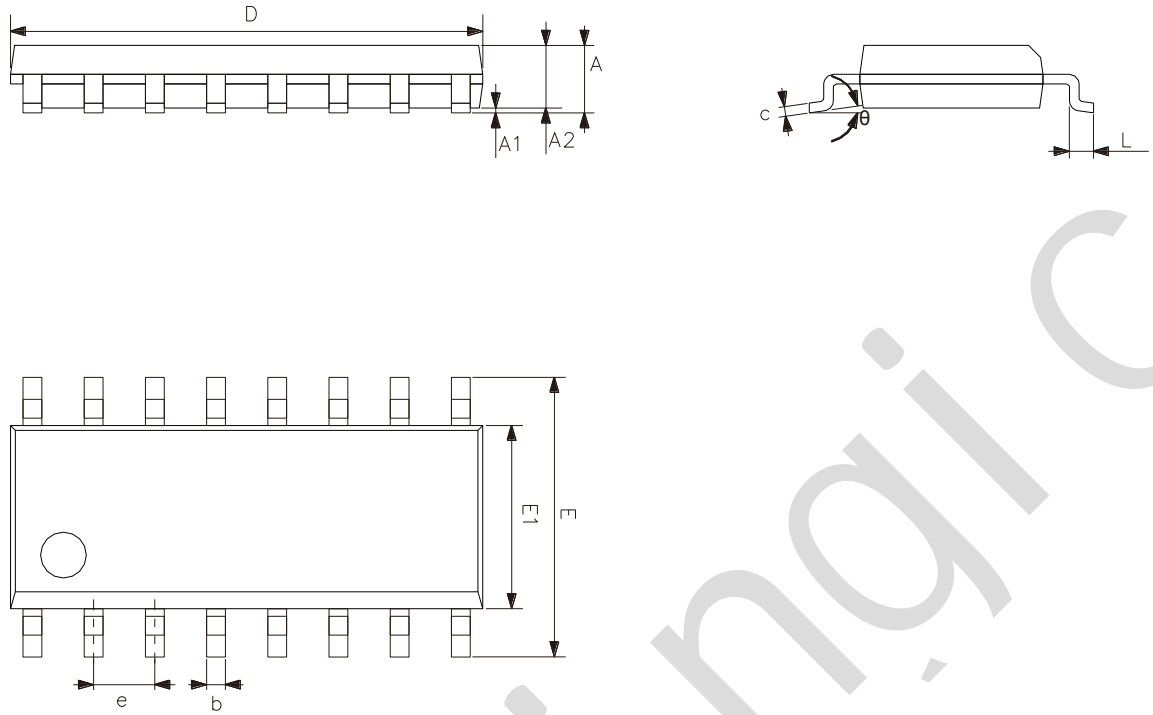
5.1、DIP16



Symbol	Dimensions (mm)	
	Min.	Max.
A2	3.20	3.60
A1	0.51	-
A	3.60	5.33
L	3.00	3.60
b	0.36	0.56
B1	1.52	
D	18.80	19.94
E1	6.20	6.60
e	2.54	
c	0.20	0.36
eB	7.62	9.30



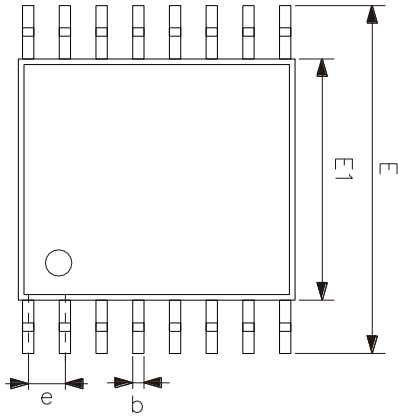
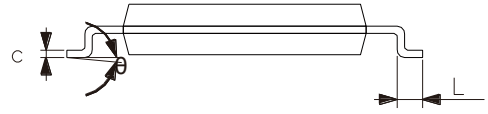
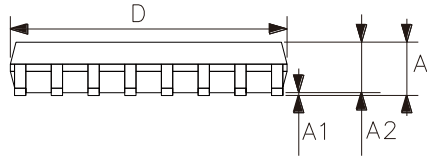
5.2、SOP16



Symbol	Dimensions (mm)	
	Min.	Max.
A	1.35	1.80
A1	0.10	0.25
A2	1.25	1.55
b	0.33	0.51
c	0.19	0.25
D	9.50	10.10
E	5.80	6.30
E1	3.70	4.10
e	1.27	
L	0.35	0.89
θ	0°	8°



5.3、TSSOP16



Symbol	Dimensions (mm)	
	Min.	Max.
A	-	1.20
A1	0.05	0.15
A2	0.80	1.05
b	0.19	0.30
c	0.09	0.20
D	4.90	5.10
E1	4.30	4.50
E	6.20	6.60
e	0.65	
L	0.45	0.75
θ	0°	8°



6、 Statements And Notes

6.1、 The name and content of Hazardous substances or Elements in the product

Part name	Hazardous substances or Elements									
	Lead and lead compounds	Mercury and mercury compounds	Cadmium and cadmium compounds	Hexavalent chromium compounds	Polybrominated biphenyls	Polybrominated biphenyl ethers	Dibutyl phthalate	Butylbenzyl phthalate	Di-2-ethylhexyl phthalate	Diisobutyl phthalate
Lead frame	○	○	○	○	○	○	○	○	○	○
Plastic resin	○	○	○	○	○	○	○	○	○	○
Chip	○	○	○	○	○	○	○	○	○	○
The lead	○	○	○	○	○	○	○	○	○	○
Plastic sheet installed	○	○	○	○	○	○	○	○	○	○
explanation	○: Indicates that the content of hazardous substances or elements in the detection limit of the following the SJ/T11363-2006 standard. ×: Indicates that the content of hazardous substances or elements exceeding the SJ/T11363-2006 Standard limit requirements.									