

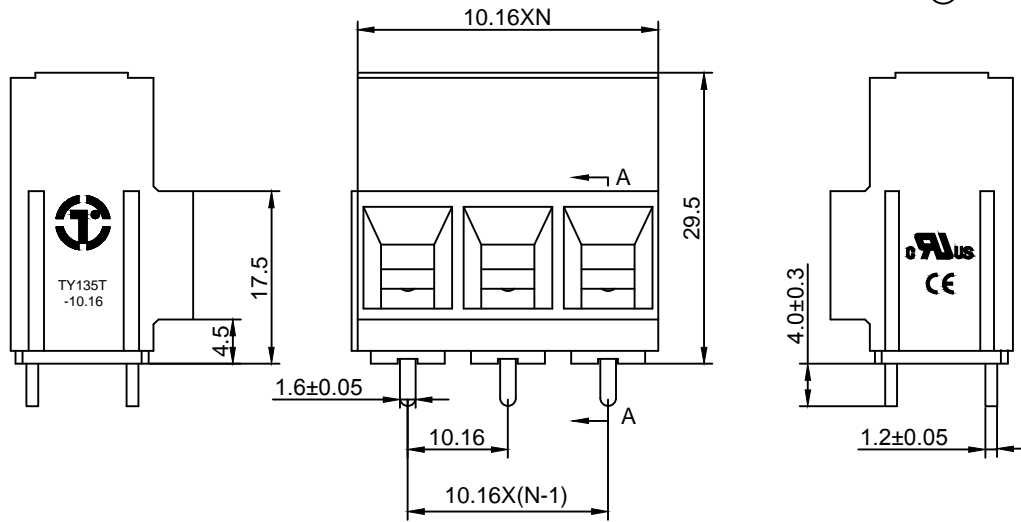
Material :

- (a) Housing : PA66(UL94V-0)
- (b) Screws : Steel , Cr³⁺Zn Plated
- (c) Cage : Brass , Ni Plated
- (d) Pin Header : Brass , Tin Plated
- (e) Cover : PA66(UL94V-0)

Electrical :

- | | | |
|------------------------------|-----------------|-------------------|
| | UL | IEC |
| 1.Rated Voltage : | 300V | 750V |
| 2.Rated Current : | 52A | 57A |
| 3.Torque Value : | M4 , 10.53Lb.in | M4 , 1.2N.m |
| 4.Wire Range: | 20-6AWG | 10mm ² |
| 5.Stripping Length : | 10-11mm | |
| 6.Withstanding Voltage : | AC3000V/1Min. | |
| 7.Operating Temperature : | -30°C~+120°C | |
| 8.RoHS Compliance | | |
| 9.Safety Approval : | UL | |
| 10.Undimensioned Tolerances: | | |

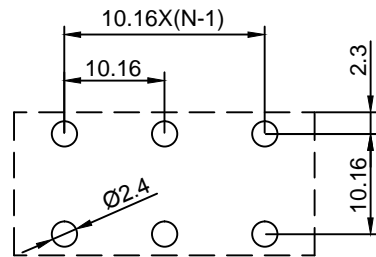
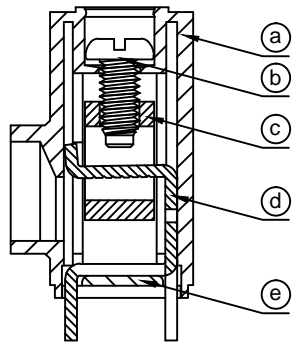
| Pitch Range In mm | | Nominal Dimension Range In mm | | | | | Tolerances | |
|-------------------|--------|-------------------------------|-------|---------|----------|-----------|------------|---------|
| ≤6 | 6 ~ 10 | 10 ~ 24 | ≤30 | 30 ~ 60 | 60 ~ 100 | 100 ~ 150 | >150 | 0.05/10 |
| ±0.10 | ±0.15 | ±0.25 | ±0.20 | ±0.30 | ±0.50 | ±0.70 | ±1.00 | ±0.1° |



TY135T - 10.16 - XXP - 2 4 - 00

① ② ③ ④ ⑤ ⑥

- ① Series No.
- ② Pitch
- ③ Poles
02 02Contacts
03 03Contacts
...
24 24Contacts
- ④ 1 Single Pitch
2 Double Pitch
- ⑤ Color: 1 Grey
2 Blue
3 Black
4 Green(Standard For AH)
5 Orange
6 Red
7 Transparent
8 Yellow
9 White
- ⑥ Customer Request :
00--Standard



| | | | | |
|----------------|----------------------------|----------------------|---|-------------|
| DETACHED LISTS | | | 拓宜(上海)工控电器设备有限公司 Topone(Shanghai) Industrial Control Electrical Equipment Co., LTD. | |
| | APPD: MA_8/13/16' | CHKD: Yu_8/12/16' | TY135T-10.16-XXP-24-00 | |
| | DRFT: Chen_8/11/16' | | | |
| | THIRD ANGLE PROJECTION | | PART NO. | DRAWING NO. |
| | | DO NOT SCALE DRAWING | SHEET 1/1 | SCALE 1/1 |