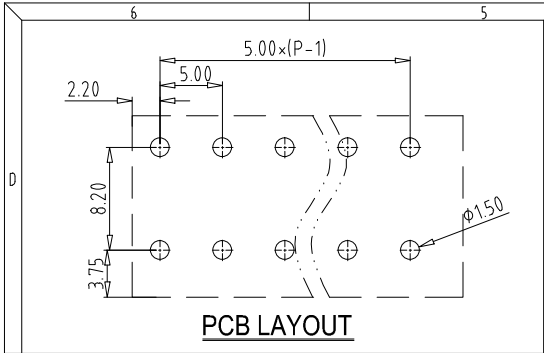
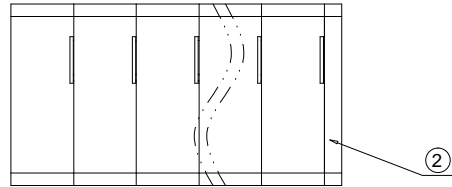


REV	CONTENT	CHK	DATE
V0.0	CONTENT	MYZ	21.11.30



Electrical :

- | | | |
|---|----------------|------------------------|
| | UL | IEC |
| 1. Rated Voltage : | 300V | 450V |
| 2. Rated Current : | 15A | 17A |
| 3. Wire Range : | 28-12AWG | 0.2-2.5mm ² |
| 4. Stripping Length : | 5-6mm | |
| 5. Withstanding Voltage : | AC2500V/1Min. | |
| 6. Operating Temperature : | -40 °C~+105 °C | |
| 7. RoHS Compliance | | |
| 8. Safty Approval : | UL CE | |
| 9. ★ " is the key quality control point | | |



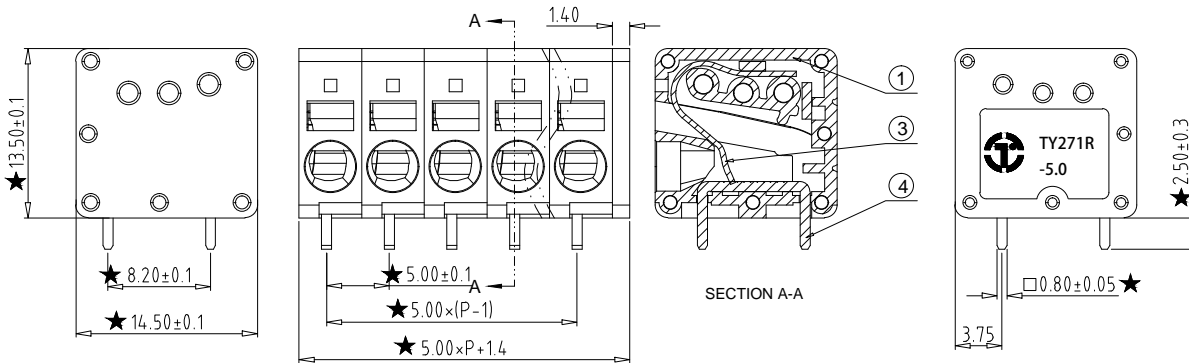
TY271R - 5.0 - XXP - X X - 00

① ② ③ ④ ⑤ ⑥

① Series NO. ④ Single Pitch

- ② Pitch
- ③ Poles
02 02Contacts
03 03Contacts
...
24 24Contacts
- ⑤ Color: 1 Grey
2 Blue
3 Black
4 Green
5 Orange
6 Red
7 Transparent
8 Yellow
9 White

⑥ Customer Request: 00--Standard



4	PIN HEADER	XX	P	Copper alloy	Tin Plated
3	SPRING	XX	P	Stainless steel	--
2	COVER	XX	1	PA66 UL94V-0	SEE NOTE
1	HOUSING	XX	P	PA66 UL94V-0	SEE NOTE
ITEM	NAME OF PART	NO. OF PART	Q"TY	MATERIAL	NOTE
DWG.	MYZ	DATE	21.11.30	SIZE	A4 UNITS mm SHEET/OF 1 / 1
CHK.	DATE			SCALE	1:1
APP.	DATE			NAME	TY271R-5.0-XXP-XX-00
拓宜(上海)工控电器设备有限公司 Topone(Shanghai) Industrial Control Electrical Equipment Co., LTD.				DWGNO.	XXXX

Total Pitch Tolerances in mm										Nominal dimension range in mm										⊥		≡		—		//	
over	over	over	over	over	over	over	over	over	over	over	over	over	over	over	over	over	over	over	over	over	over	over	over	over	over	over	over
0	30	53	70	90	115	150	250	350	500	0	30	53	70	90	115	150	200	250	320	0	10	0	100	0	150	0	150
to	to	to	to	to	to	to	to	to	to	to	to	to	to	to	to	to	to	to	to	to	to	to	to	to	to	to	to
30	53	70	90	115	150	250	350	500	500	30	53	70	90	115	150	200	250	320	10	10	100	100	150	100	150	100	150
±0.18	±0.20	±0.25	±0.3	±0.35	±0.4	±0.60	±0.70	±0.85	±0.20	±0.25	±0.30	±0.35	±0.4	±0.55	±0.70	±0.80	±0.90	0.2	0.3	0.3	0.2	0.3	0.2	0.3	0.5	0.5	