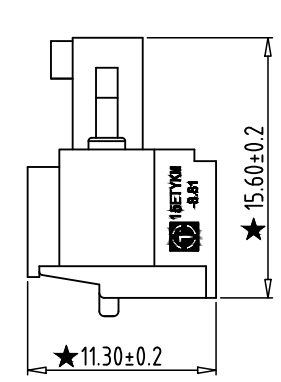
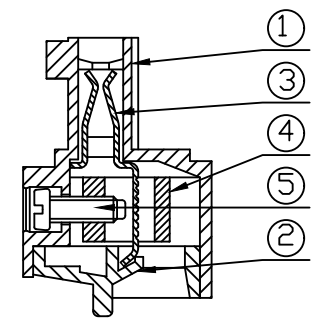
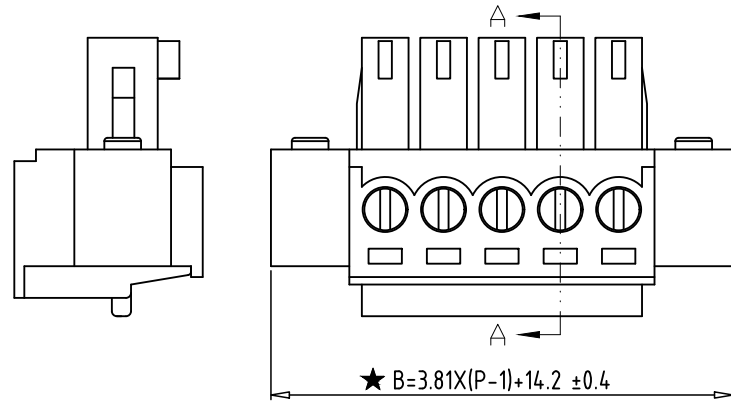
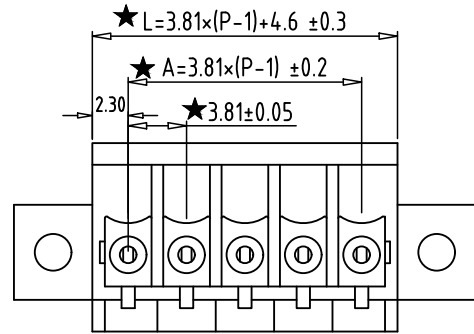
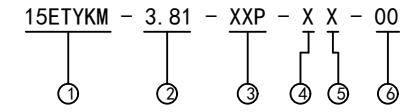


REV	CONTENT	CHK	DATE
V0.0	CONTENT	YL	22.11.21



Electrical :

- | | | |
|---|----------------|------------------------|
| | UL | IEC |
| 1. Rated Voltage : | 300V | 250V |
| 2. Rated Current : | 8A | 7A |
| 3. Torque Value : | M2 , 1.77Lb.in | M2, 0.2N.m |
| 4. Wire Range: | 28-16AWG | 0.5-1.5mm ² |
| 5. Stripping Length : | 6-7mm | |
| 6. Withstanding Voltage : | AC1600V/1Min. | |
| 7. Operating Temperature : | -40°C~+105°C | |
| 8. RoHS Compliance | | |
| 9. " \star " is the key quality control point | | |



- ① Series No. ④ 1 Single Pitch
 2 Double Pitch
- ② Pitch ⑤ Color: 1 Grey
 2 Blue
 3 Black
 4 Green
 5 Orange
 6 Red
 7 Transparent
 8 Yellow
 9 White
- ③ Poles
 02 02Contacts
 03 03Contacts
 ...
 24 24Contacts
- ⑥ Customer Request : 00--Standard

6	SCREW-02	XX	2	Steel	Zn Plated
5	SCREW-01	XX	P	Steel	Zn Plated
4	BLOCK	XX	P	Brass	Ni Plated
3	CLAMP	XX	P	Phosphor Bronze	Ni Plated
2	COVER	XX	1	PA66(UL94V-0)	SEE NOTE
1	HOUSING	XX	1	PA66(UL94V-0)	SEE NOTE

ITEM	NAME OF PART	NO. OF PART	Q'TY	MATERIAL	NOTE
DWG.	YL	DATE	22.11.21	SIZE	A4 UNITS mm SHEET/OF 1 / 1
CHK.	DATE		SCALE	1:1	
APP.	DATE		NAME	15ETYKM-3.81-XXP-XX-00	
			DWGNO.	XXXX	

拓宜(上海)工控电器设备有限公司
 Topone (Shanghai) Industrial Control Electrical Equipment Co., LTD.

Total Pitch Tolerances in mm										Nominal dimension range in mm										⊥	=	-	//
over	over	over	over	over	over	over	over	over	over	over	over	over	over	over	over	over	over	over	over	0	over	over	over
0	30	53	70	90	115	150	250	350	500	0	30	53	70	90	115	150	200	250	320	0	10	100	150
±0.18	±0.20	±0.25	±0.3	±0.35	±0.44	±0.60	±0.70	±0.85	±0.20	±0.25	±0.30	±0.35	±0.44	±0.55	±0.70	±0.80	±0.90	0.2	0.3	0.3	0.3	0.2	0.3