



CD4043 (LX) Quad R/S Latch With 3-state Outputs

Product Specification

Specification Revision History:

Version	Date	Description
2022-06-A1	2022-06	New
2023-04-B1	2023-04	Update the template



Contents

1、 General Description.....	1
2、 Block Diagram And Pin Description	3
2.1、 Block Diagram	3
2.2、 Pin Configurations.....	3
2.3、 Pin Description	4
2.4、 Function Table.....	4
3、 Electrical Parameter	4
3.1、 Absolute Maximum Ratings.....	4
3.2、 Recommended Operating Conditions	5
3.3、 Electrical Characteristics	5
3.3.1、 DC Characteristics 1	5
3.3.2、 DC Characteristics 2	6
3.3.3、 AC Characteristics	7
4、 Testing Circuit	8
4.1、 AC Testing Circuit	8
4.2、 AC Testing Waveforms.....	9
4.3、 Measurement Points	9
4.4、 Test Data	9
5、 Package Information	10
5.1、 DIP16	10
5.2、 SOP16	11
5.3、 TSSOP16.....	12
6、 Statements And Notes	13
6.1、 The name and content of Hazardous substances or Elements in the product.....	13
6.2、 Notes	13



灵星芯微 集成电路

1、General Description

The CD4043 is a quad R/S latch with 3-state outputs with a common output enable input (OE). Each latch has an active HIGH set input (1S to 4S), an active HIGH reset input (1R to 4R) and an active HIGH 3-state output (1Q to 4Q).

When OE is HIGH, the latch output (nQ) is determined by the nR and nS inputs as shown in function table. When OE is LOW, the latch outputs are in the high impedance OFF-state. OE does not affect the state of the latch. The high impedance off-state feature allows common bussing of the outputs.

It operates over a recommended V_{DD} power supply range of 3V to 15V referenced to V_{SS} (usually ground).

Unused inputs must be connected to V_{DD} , V_{SS} , or another input.

Features:

- 5V, 10V, and 15V parametric ratings
- Standardized symmetrical output characteristics
- Specified from -40°C to +125°C
- Packaging information: DIP16/SOP16/TSSOP16



Ordering Information:

Tube packing specifications:

Part number	Packaging form	Marking code	Tube quantity	Boxed tube quantity	Boxed quantity	Notes
CD4043BE(LX)	DIP16	CD4043BE	25 PCS/tube	40 tube/box	1000 PCS/box	Dimensions of plastic enclosure: 19.0mm×6.4mm Pin spacing:2.54mm
CD4043BDR(LX)	SOP16	CD4043BDR	50 PCS/tube	200 tube/box	10000 PCS/box	Dimensions of plastic enclosure: 10.0mm×3.9mm Pin spacing:1.27mm
CD4043BPWR(LX)	TSSOP16	CD4043BPWR	96 PCS/tube	200 tube/box	19200 PCS/box	Dimensions of plastic enclosure: 5.0mm×4.4mm Pin spacing:0.65mm

Reel packing specifications:

Part number	Packaging form	Marking code	Reel quantity	Boxed reel quantity	Notes
CD4043BDR(LX)	SOP16	CD4043BDR	4000PCS/reel	8000PCS/box	Dimensions of plastic enclosure: 10.0mm×3.9mm Pin spacing:1.27mm
CD4043BPWR(LX)	TSSOP16	CD4043BPWR	5000PCS/reel	10000PCS/box	Dimensions of plastic enclosure: 5.0mm×4.4mm Pin spacing:0.65mm

Note: If the physical information is inconsistent with the ordering information, please refer to the actual product.



2、Block Diagram And Pin Description

2.1、Block Diagram

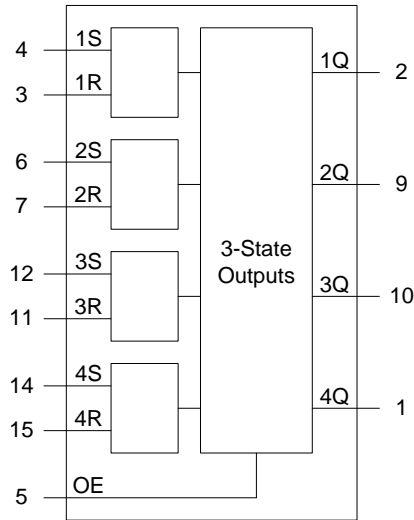


Figure 1. Functional diagram

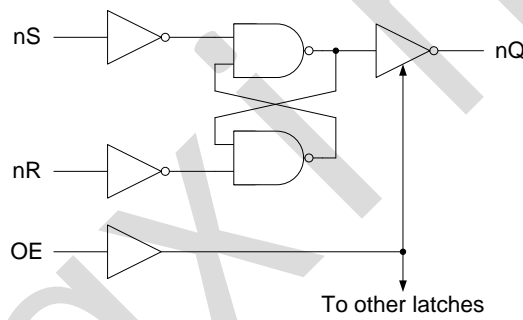
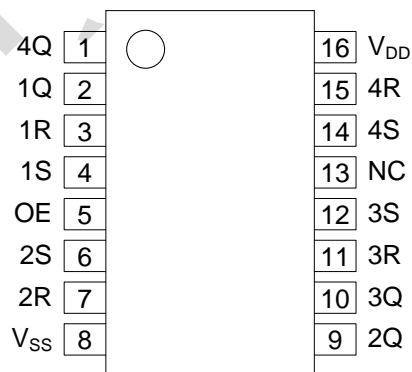


Figure 2. Logic diagram for one latch

2.2、Pin Configurations





2.3、Pin Description

Pin No.	Pin Name	Description
1	4Q	3-state buffered latch output
2	1Q	3-state buffered latch output
3	1R	reset input (active HIGH)
4	1S	set input (active HIGH)
5	OE	common output enable input
6	2S	set input (active HIGH)
7	2R	reset input (active HIGH)
8	V _{SS}	ground supply voltage
9	2Q	3-state buffered latch output
10	3Q	3-state buffered latch output
11	3R	reset input (active HIGH)
12	3S	set input (active HIGH)
13	NC	not connected
14	4S	set input (active HIGH)
15	4R	reset input (active HIGH)
16	V _{DD}	supply voltage

2.4、Function Table

Inputs			Output
OE	nS	nR	nQ
L	X	X	Z
H	L	H	L
H	H	X	H
H	L	L	latched

Note: [1] H=HIGH voltage level; L=LOW voltage level; X=don't care; Z=high impedance state.

3、Electrical Parameter

3.1、Absolute Maximum Ratings

Parameter	Symbol	Conditions	Min.	Max.	Unit
supply voltage	V _{DD}	-	-0.5	+18	V
input clamping current	I _{IK}	V _I <-0.5V or V _I >V _{DD} +0.5V	-	±10	mA
input voltage	V _I	-	-0.5	V _{DD} +0.5	V
output clamping current	I _{OK}	V _O <-0.5V or V _O >V _{DD} +0.5V	-	±10	mA
output current	I _O	V _O =0V to V _{CC}	-	±10	mA
supply current	I _{DD}	-	-	50	mA
total power dissipation	P _{tot}	-	-	500	mW
power dissipation	P _D	per output	-	100	mW
storage temperature	T _{stg}	-	-65	+150	°C
soldering temperature	T _L	10s	DIP	245	°C
			SOP/TSSOP	260	°C



3.2、Recommended Operating Conditions

Parameter	Symbol	Conditions	Min.	Typ.	Max.	Unit
supply voltage	V_{DD}	-	3	-	15	V
input voltage	V_I	-	0	-	V_{DD}	V
ambient temperature	T_{amb}	-	-40	-	+125	°C

3.3、Electrical Characteristics

3.3.1、DC Characteristics 1

($T_{amb}=25^{\circ}\text{C}$, voltages are referenced to V_{SS} (ground=0V), unless otherwise specified)

Parameter	Symbol	Conditions (V)			$T_{amb}=25^{\circ}\text{C}$			Unit
		V_O	V_{IN}	V_{DD}	Min.	Typ.	Max.	
supply current	I_{DD}	-	0, 5	5	-	-	20	uA
		-	0, 10	10	-	-	40	uA
		-	0, 15	15	-	-	80	uA
LOW-level output current	I_{OL}	0.4	0, 5	5	0.44	-	-	mA
		0.5	0, 10	10	1.1	-	-	mA
		1.5	0, 15	15	3.0	-	-	mA
HIGH-level output current	I_{OH}	4.6	0, 5	5	-	-	-0.44	mA
		2.5	0, 5	5	-	-	-1.4	mA
		9.5	0, 10	10	-	-	-1.1	mA
		13.5	0, 15	15	-	-	-3.0	mA
LOW-level output voltage	V_{OL}	-	0, 5	5	-	-	0.05	V
		-	0, 10	10	-	-	0.05	V
		-	0, 15	15	-	-	0.05	V
HIGH-level output voltage	V_{OH}	-	0, 5	5	4.95	-	-	V
		-	0, 10	10	9.95	-	-	V
		-	0, 15	15	14.95	-	-	V
LOW-level input voltage	V_{IL}	0.5, 4.5	-	5	-	-	1.5	V
		1, 9	-	10	-	-	3	V
		1.5, 13.5	-	15	-	-	4	V
HIGH-level input voltage	V_{IH}	0.5, 4.5	-	5	3.5	-	-	V
		1, 9	-	10	7	-	-	V
		1.5, 13.5	-	15	11	-	-	V
input leakage current	I_I	-	0, 15	15	-	-	± 1.0	uA
OFF-state output current	I_{OZ}	nQ output HIGH; returned to V_{DD}		15	-	-	1.6	uA
		nQ output LOW; returned to V_{SS}		15	-	-	1.6	uA
input capacitance	C_I	-		-	-	-	7.5	pF



3.3.2、DC Characteristics 2

($T_{amb}=-40^{\circ}\text{C}$ to $+125^{\circ}\text{C}$, voltages are referenced to V_{SS} (ground=0V), unless otherwise specified)

Parameter	Symbol	Conditions (V)			$T_{amb}=-40^{\circ}\text{C}$		$T_{amb}=+85^{\circ}\text{C}$		$T_{amb}=+125^{\circ}\text{C}$		Unit
		V_O	V_{IN}	V_{DD}	Min.	Max.	Min.	Max.	Min.	Max.	
supply current	I_{DD}	-	0, 5	5	-	20	-	150	-	150	uA
		-	0, 10	10	-	40	-	300	-	300	uA
		-	0, 15	15	-	80	-	600	-	600	uA
LOW-level output current	I_{OL}	0.4	0, 5	5	0.52	-	0.36	-	0.36	-	mA
		0.5	0, 10	10	1.3	-	0.9	-	0.9	-	mA
		1.5	0, 15	15	3.6	-	2.4	-	2.4	-	mA
HIGH-level output current	I_{OH}	4.6	0, 5	5	-	-0.52	-	-0.36	-	-0.36	mA
		2.5	0, 5	5	-	-1.7	-	-1.1	-	-1.1	mA
		9.5	0, 10	10	-	-1.3	-	-0.9	-	-0.9	mA
		13.5	0, 15	15	-	-3.6	-	-2.4	-	-2.4	mA
LOW-level output voltage	V_{OL}	-	0, 5	5	-	0.05	-	0.05	-	0.05	V
		-	0, 10	10	-	0.05	-	0.05	-	0.05	V
		-	0, 15	15	-	0.05	-	0.05	-	0.05	V
HIGH-level output voltage	V_{OH}	-	0, 5	5	4.95	-	4.95	-	4.95	-	V
		-	0, 10	10	9.95	-	9.95	-	9.95	-	V
		-	0, 15	15	14.95	-	14.95	-	14.95	-	V
LOW-level input voltage	V_{IL}	0.5, 4.5	-	5	-	1.5	-	1.5	-	1.5	V
		1, 9	-	10	-	3	-	3	-	3	V
		1.5, 13.5	-	15	-	4	-	4	-	4	V
HIGH-level input voltage	V_{IH}	0.5, 4.5	-	5	3.5	-	3.5	-	3.5	-	V
		1, 9	-	10	7	-	7	-	7	-	V
		1.5, 13.5	-	15	11	-	11	-	11	-	V
input leakage current	I_I	-	0, 15	15	-	± 1.0	-	± 1.0	-	± 1.0	uA
OFF-state output current	I_{OZ}	nQ output HIGH; returned to V_{DD}		15	-	1.6	-	12	-	12	uA
		nQ output LOW; returned to V_{SS}		15	-	1.6	-	12	-	12	uA



3.3.3、AC Characteristics

($T_{amb}=25^{\circ}\text{C}$, $V_{SS}=0\text{V}$, unless otherwise specified)

Parameter	Symbol	Conditions	V_{DD}	Min.	Typ.	Max.	Unit
HIGH to LOW propagation delay	t_{PHL}	nR→nQ; see Figure 4	5 ^[1]	-	90	180	ns
			10	-	35	70	ns
			15	-	25	50	ns
LOW to HIGH propagation delay	t_{PLH}	nS→nQ; see Figure 4	5 ^[1]	-	65	135	ns
			10	-	25	50	ns
			15	-	15	35	ns
transition time	t_{THL} , t_{TLH}	nQ output; see Figure 4	5 ^{[1][2]}	-	60	120	ns
			10	-	30	60	ns
			15	-	30	60	ns
HIGH to OFF-state propagation delay	t_{PHZ}	OE→nQ; see Figure 5	5	-	45	90	ns
			10	-	25	50	ns
			15	-	20	40	ns
LOW to OFF-state propagation delay	t_{PLZ}	OE→nQ; see Figure 5	5	-	50	100	ns
			10	-	20	40	ns
			15	-	15	30	ns
OFF-state to HIGH propagation delay	t_{PZH}	OE→nQ; see Figure 5	5	-	40	80	ns
			10	-	26	60	ns
			15	-	25	50	ns
OFF-state to LOW propagation delay	t_{PZL}	OE→nQ; see Figure 5	5	-	45	90	ns
			10	-	30	60	ns
			15	-	30	60	ns
pulse width	t_w	nS input HIGH; minimum width; see Figure 4	5	30	15	-	ns
			10	20	10	-	ns
			15	16	8	-	ns
		nR input HIGH; minimum width; see Figure 4	5	30	15	-	ns
			10	20	10	-	ns
			15	16	8	-	ns

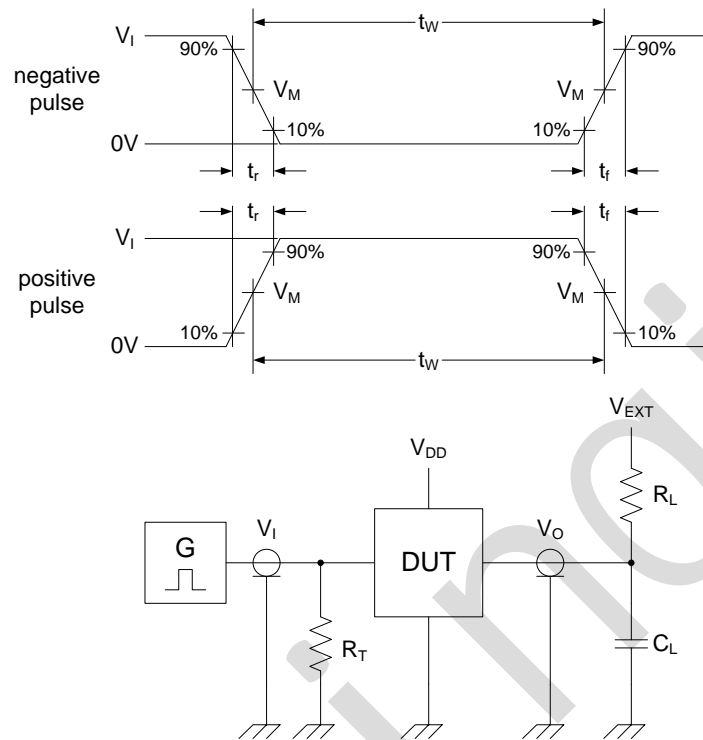
Note:

The typical values of the propagation delay and transition times are calculated from the extrapolation formulas shown (C_L in pF).



4、Testing Circuit

4.1、AC Testing Circuit



Definitions test circuit:

DUT=Device Under Test.

R_L =Load resistance;

C_L =Load capacitance including jig and probe capacitance.

R_T =Termination resistance should be equal to output impedance Z_o of the pulse generator.

V_{EXT} =External voltage for measuring switching times.

Figure 3. Test circuit for measuring switching times



4.2、AC Testing Waveforms

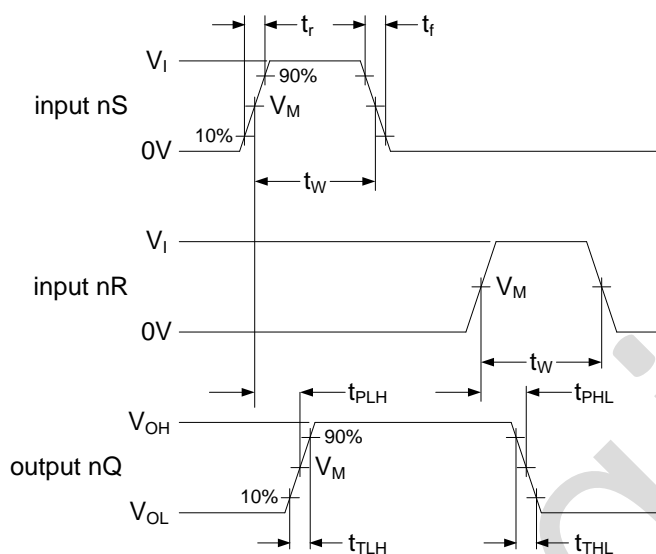


Figure 4. Input minimum set (nS) and reset (nR) pulse widths, inputs nS or nR to latch output (nQ) propagation delay and nQ transition time

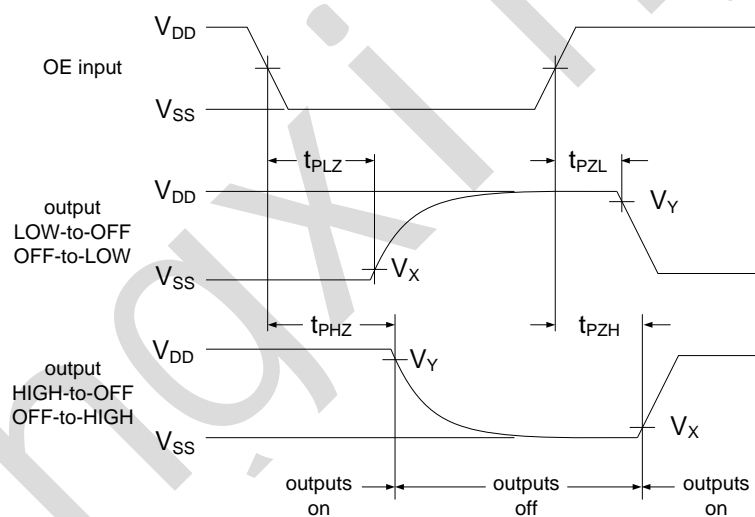


Figure 5. Output enable (OE) to latch output (nQ) enable time (t_{PZL} and t_{PZH}) and disable time (t_{PLZ} and t_{PHZ})

4.3、Measurement Points

Supply voltage	Input		Output		
V_{DD}	V_I	V_M	V_M	V_X	V_Y
5V to 15V	V_{DD} or 0V	$0.5 \times V_{DD}$	$0.5 \times V_{DD}$	$0.1 \times V_{DD}$	$0.9 \times V_{DD}$

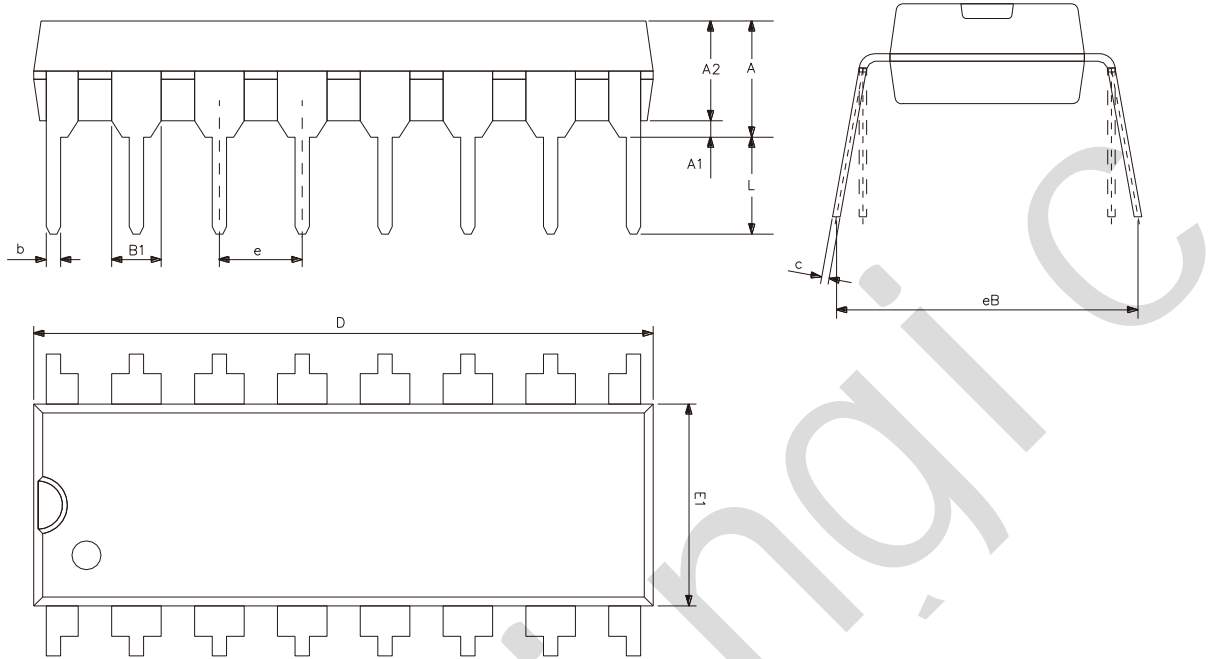
4.4、Test Data

Supply voltage	Input		Load		V_{EXT}		
V_{DD}	V_I	t_r, t_f	C_L	R_L	t_{PLH}, t_{PHL}	t_{PLZ}, t_{PZL}	t_{PHZ}, t_{PZH}
5V to 15V	V_{DD}	$\leq 20\text{ns}$	50pF	1k Ω	open	V_{DD}	GND



5、Package Information

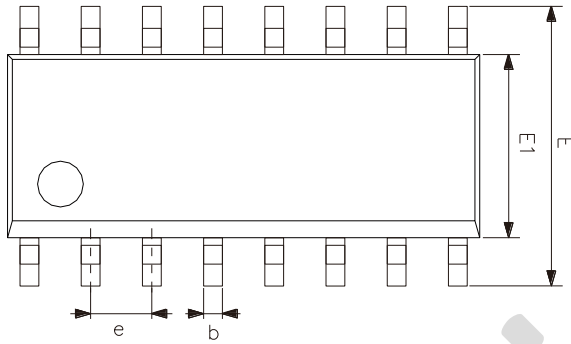
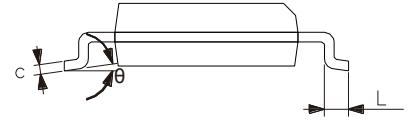
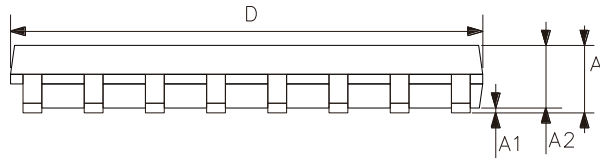
5.1、DIP16



Symbol	Dimensions (mm)	
	Min.	Max.
A2	3.20	3.60
A1	0.51	-
A	3.60	5.33
L	3.00	3.60
b	0.36	0.56
B1	1.52	
D	18.80	19.94
E1	6.20	6.60
e	2.54	
c	0.20	0.36
eB	7.62	9.30



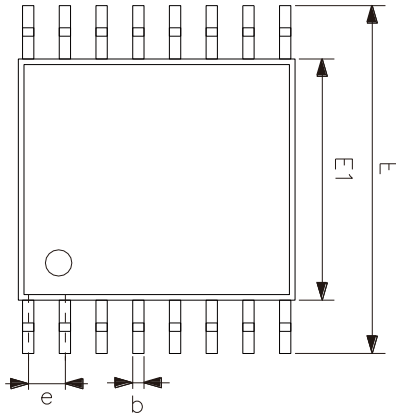
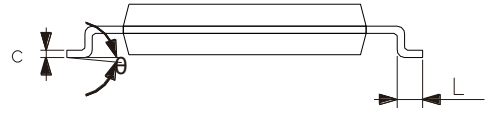
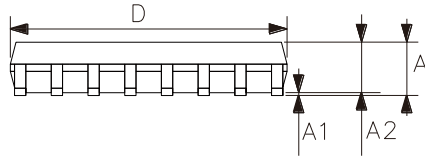
5.2、SOP16



Symbol	Dimensions (mm)	
	Min.	Max.
A	1.35	1.80
A1	0.10	0.25
A2	1.25	1.55
b	0.33	0.51
c	0.19	0.25
D	9.50	10.10
E	5.80	6.30
E1	3.70	4.10
e	1.27	
L	0.35	0.89
θ	0°	8°



5.3、TSSOP16



Symbol	Dimensions (mm)	
	Min.	Max.
A	-	1.20
A1	0.05	0.15
A2	0.80	1.05
b	0.19	0.30
c	0.09	0.20
D	4.90	5.10
E1	4.30	4.50
E	6.20	6.60
e	0.65	
L	0.45	0.75
θ	0°	8°



6、 Statements And Notes

6.1、 The name and content of Hazardous substances or Elements in the product

Part name	Hazardous substances or Elements									
	Lead and lead compounds	Mercury and mercury compounds	Cadmium and cadmium compounds	Hexavalent chromium compounds	Polybrominated biphenyls	Polybrominated biphenyl ethers	Dibutyl phthalate	Butylbenzyl phthalate	Di-2-ethylhexyl phthalate	Diisobutyl phthalate
Lead frame	○	○	○	○	○	○	○	○	○	○
Plastic resin	○	○	○	○	○	○	○	○	○	○
Chip	○	○	○	○	○	○	○	○	○	○
The lead	○	○	○	○	○	○	○	○	○	○
Plastic sheet installed	○	○	○	○	○	○	○	○	○	○
explanation	○: Indicates that the content of hazardous substances or elements in the detection limit of the following the SJ/T11363-2006 standard. ×: Indicates that the content of hazardous substances or elements exceeding the SJ/T11363-2006 Standard limit requirements.									

6.2、 Notes

We Recommend you to read this chapter carefully before using this product.

The information in this chapter is provided for reference only and Lingxing disclaims any express or implied warranties, including but not limited to applicability, special application or non-infringement of third party rights.

This product is not suitable for critical equipment such as life-saving, life-sustaining or safety equipment. It is also not suitable for applications that may result in personal injury, death, or serious property or environmental damage due to product malfunction or failure. Lingxing will not be liable for any damages incurred by the customers at their own risk for such applications.

The customer is responsible for conducting all necessary tests Lingxing's application to avoid failure in the application or the application of the customer's third party users. Lingxing does not accept any liability.

The Company reserves the right to change or improve the information published in this chapter at any time. The information in this chapter are subject to change without notice. We recommend the customer to consult our sales staff before purchasing.

Please obtain related materials form Lingxing's regular channels and we are not responsible for its content if it is provided by sources other than our company.

In case of any conflict between the Chinese and English version, the version is subject to the Chinese one.