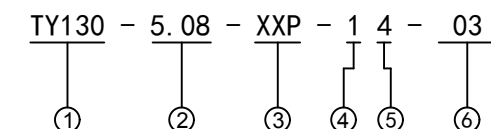


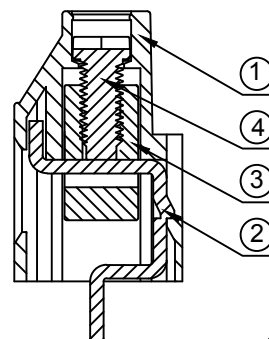
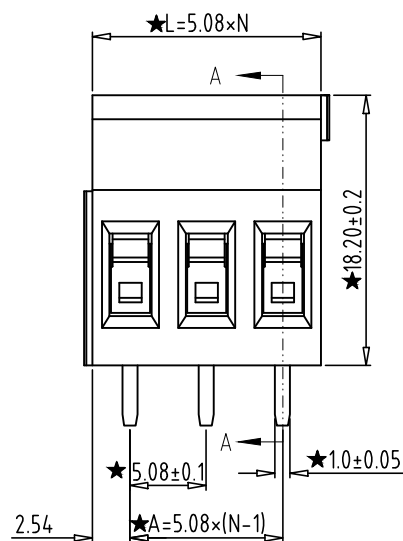
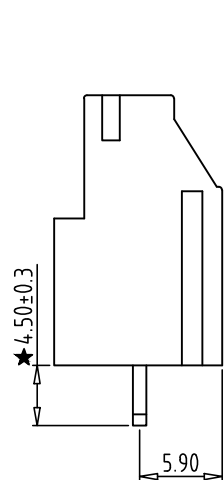
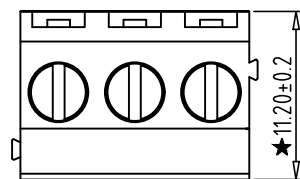
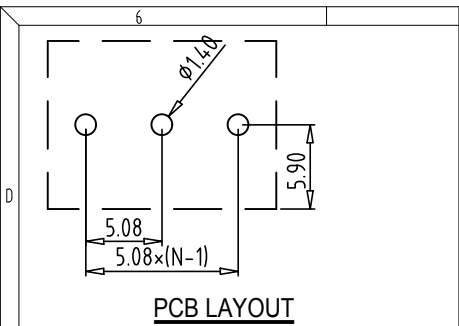
REV	2	1	
	CONTENT	CHK	DATE
V0.0	CONTENT	YL	23.06.13
V0.0	以实物修正尺寸	YL	23.11.29

Electrical :

- | | | |
|--|----------------|------------------------|
| | UL | IEC |
| 1. Rated Voltage : | 300V | 250V |
| 2. Rated Current : | 12A | 20A |
| 3. Torque Value : | M3 , 4.43Lb.in | M3 , 0.5N.m |
| 4. Wire Range: | 26-12AWG | 0.5-2.5mm ² |
| 5. Stripping Length : | 6-7mm | |
| 6. Withstanding Voltage : | AC2000V/1Min. | |
| 7. Operating Temperature : | -40°C~+105°C | |
| 8. RoHS Compliance | | |
| 9. "★" is the key quality control point. | | |



- ① Series No. ④ 1 Single Pitch
 2 Double Pitch
- ② Pitch ⑤ Color: 1 Grey
 2 Blue
 3 Black
 4 Green
 5 Orange
 6 Red
 ...
 7 Transparent
 8 Yellow
 9 White
- ⑥ Customer Request : 03--Stainless steel screw



★0.80±0.05

SECTION A-A

4	SCREW	XX	3	Stainless steel	/
3	BLOCK	XX	3	COPPER ALLOY	Ni Plated
2	PIN	XX	3	COPPER ALLOY	Tin Plated
1	HOUSING	XX	1	PA66(UL94V-0)	SEE NOTE
ITEM	NAME OF PART	NO. OF PART	Q'TY	MATERIAL	NOTE
DWG.	YL	DATE	23.06.13	SIZE	A4 UNITS mm SHEET/OF 1/1
CHK.		DATE		SCALE	1:1
APP.		DATE		NAME	TY130-5.08-XXP-14-03
拓宜(上海)工控电器设备有限公司 Topone (Shanghai) Industrial Control Electrical Equipment Co., LTD.				DWGNO.	XXXX

Total Pitch Tolerances in mm								Nominal dimension range in mm								⊥		≡		- //			
over 0	over 30	over 53	over 70	over 90	over 115	over 150	over 250	over 350	over 0	over 30	over 53	over 70	over 90	over 115	over 150	over 200	over 250	over 0	over 10	over 0	over 100	over	
to	to	to	to	to	to	to	to	to	to	to	to	to	to	to	to	to	to	to	to	to	to	to	to
30	53	70	90	115	150	250	350	500	30	53	70	90	115	150	200	250	320	10	all	to	to	to	150
±0.18	±0.20	±0.25	±0.3	±0.35	±0.44	±0.60	±0.70	±0.85	±0.20	±0.25	±0.30	±0.35	±0.44	±0.55	±0.70	±0.80	±0.90	0.2	0.3	0.3	0.2	0.3	0.5