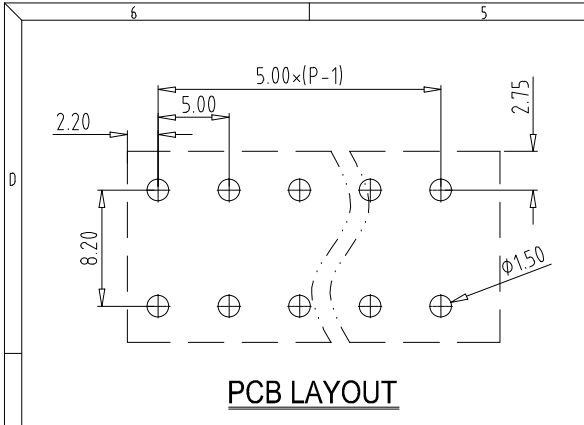
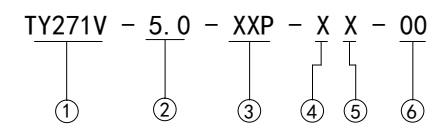
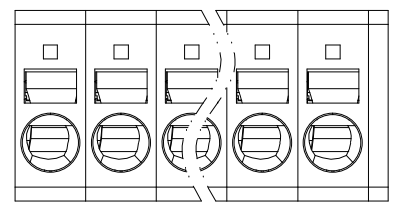


| | | | |
|------|---------|-----|----------|
| REV | CONTENT | CHK | DATE |
| V0.0 | CONTENT | MYZ | 21.09.29 |

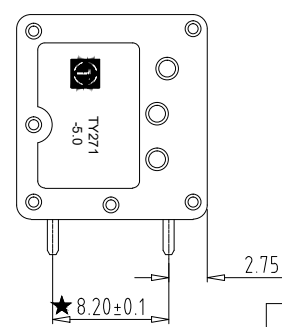
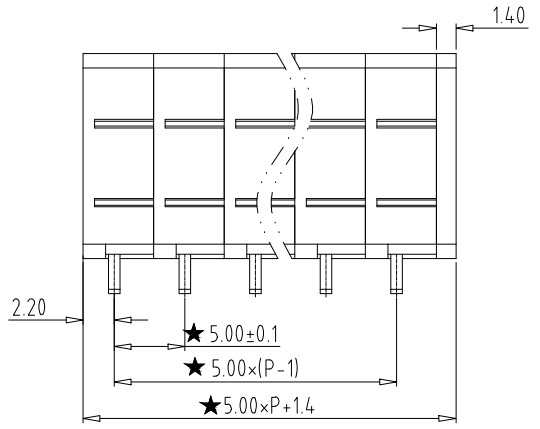
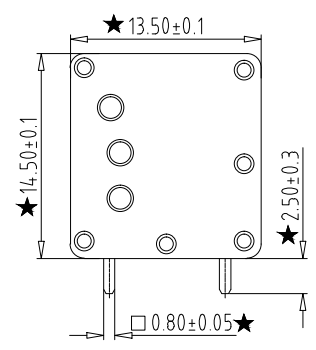


Electrical :

- | | | |
|---|----------------|------------------------|
| | UL | IEC |
| 1. Rated Voltage : | 300V | 400V |
| 2. Rated Current : | 20A | 24A |
| 3. Wire Range: | 24-12AWG | 0.2-2.5mm ² |
| 4. Stripping Length : | 9-10mm | |
| 5. Withstanding Voltage : | AC2200V/1Min. | |
| 6. Operating Temperature : | -40 °C~+105 °C | |
| 7. RoHS Compliance | | |
| 8. Safty Approval : | UL CE | |
| 9. " ★ " is the key quality control point | | |



- ① Series NO.
- ② Pitch
- ③ Poles
02 02Contacts
03 03Contacts
...
24 24Contacts
- ④ Single Pitch
- ⑤ Color: 1 Grey
2 Blue
3 Black
4 Green
5 Orange
6 Red
7 Transparent
8 Yellow
9 White
- ⑥ Customer Request: 00--Standard



| | | | | | |
|---|------------|----|---|-----------------|------------|
| 4 | SPRING | XX | P | Stainless steel | -- |
| 3 | PIN HEADER | XX | P | Copper alloy | Tin Plated |
| 2 | COVER | XX | 1 | PA66 UL94V-0 | SEE NOTE |
| 1 | HOUSING | XX | P | PA66 UL94V-0 | SEE NOTE |

| ITEM | NAME OF PART | NO. OF PART | Q'TY | MATERIAL | NOTE |
|------|--------------|-------------|----------|----------|----------------------------|
| DWG. | MYZ | DATE | 21.09.29 | SIZE | A4 UNITS mm SHEET/OF 1 / 1 |

| | | | | |
|---|------|--|--------|----------------------|
| CHK. | DATE | | SCALE | 1:1 |
| APP. | DATE | | NAME | TY271V-5.0-XXP-XX-00 |
| 拓宜(上海)工控电器设备有限公司 Topone(Shanghai) Industrial Control Electrical Equipment Co., LTD. | | | DWGNO. | XXXX |

| Total Pitch Tolerances in mm | | | | | | | | | | Nominal dimension range in mm | | | | | | | | | | ⊥ | | ≡ | | — | | // | |
|------------------------------|-------|-------|------|-------|------|------|-------|-------|-------|-------------------------------|-------|-------|------|-------|-------|-------|-------|-------|------|------|------|------|------|------|------|------|------|
| over | over | over | over | over | over | over | over | over | over | over | over | over | over | over | over | over | over | over | over | over | over | over | over | over | over | over | over |
| 0 | 30 | 53 | 70 | 90 | 115 | 150 | 250 | 350 | 500 | 0 | 30 | 53 | 70 | 90 | 115 | 150 | 200 | 250 | 320 | 0 | 10 | 0 | 100 | 0 | 100 | 0 | 150 |
| to | to | to | to | to | to | to | to | to | to | to | to | to | to | to | to | to | to | to | to | to | to | to | to | to | to | to | to |
| 30 | 53 | 70 | 90 | 115 | 150 | 250 | 350 | 500 | 500 | 30 | 53 | 70 | 90 | 115 | 150 | 200 | 250 | 320 | 320 | 10 | 10 | 100 | 100 | 100 | 150 | 150 | 150 |
| ±0.18 | ±0.20 | ±0.25 | ±0.3 | ±0.35 | ±0.4 | ±0.6 | ±0.70 | ±0.85 | ±0.20 | ±0.25 | ±0.30 | ±0.35 | ±0.4 | ±0.44 | ±0.55 | ±0.70 | ±0.80 | ±0.90 | 0.2 | 0.3 | 0.3 | 0.2 | 0.3 | 0.5 | 0.5 | 0.5 | 0.5 |