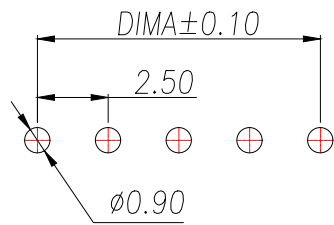
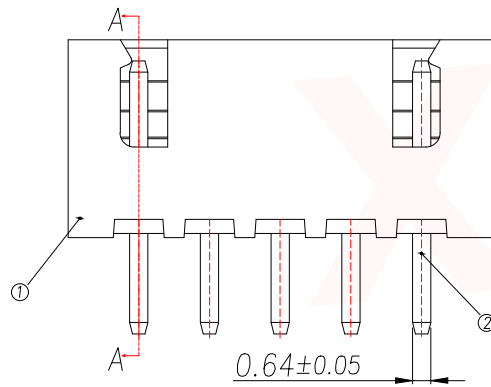
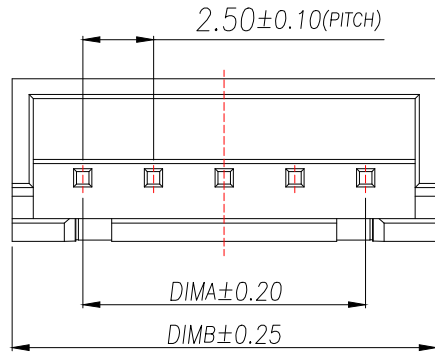


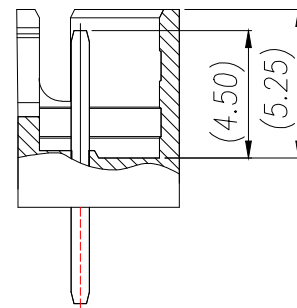
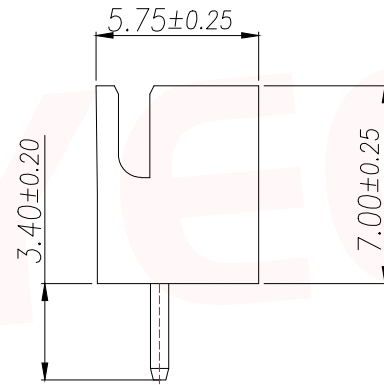
Technical Index:

1. Temperature range: $-25^{\circ}\text{C}\sim 85^{\circ}\text{C}$.
2. Rated voltage: 250V DC/AC(rms).
3. Rated current: 3.0A.
4. Contact resistance: $\leq 20\text{m}\Omega$.
5. Withstanding voltage: 1000V AC/minute.
6. Insulation resistance: $\geq 1000\text{M}\Omega$.

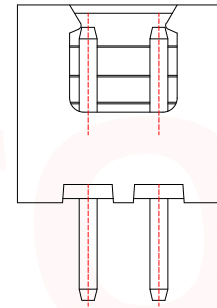
Part No	Pin	A	B
XY-XH2.54-2A11-R	2	2.5	7.5
XY-XH2.54-3A11-R	3	5.0	10.0
XY-XH2.54-4A11-R	4	7.5	12.5
XY-XH2.54-5A11-R	5	10.0	15.0
XY-XH2.54-6A11-R	6	12.5	17.5
XY-XH2.54-7A11-R	7	15.0	20.0
XY-XH2.54-8A11-R	8	17.5	22.5
XY-XH2.54-9A11-R	9	20.0	25.0
XY-XH2.54-10A11-R	10	22.5	27.5
XY-XH2.54-11A11-R	11	25.0	30.0
XY-XH2.54-12A11-R	12	27.5	32.5
XY-XH2.54-13A11-R	13	30.0	35.0
XY-XH2.54-14A11-R	14	32.5	37.5
XY-XH2.54-15A11-R	15	35.0	40.0
XY-XH2.54-16A11-R	16	37.5	42.5



通用线路板(PCB LAYOUT)



SECTION A-A



2 Pin样式

序号	品名	材质
1	基座Wafer	PA66 UL94V-2 红色
2	端子Contact	铜合金/镀锡

DIMENSION IN mm		厦门市辛译精密电子有限公司 Xiamen XinYi Xyconn Electronics Co.,Ltd			
TOLERANCE UNLESS OTHERWISE SPECIFIED		TITLE: WAFER 2.54 180° DIP 红色			
.X±0.35	X.*± 5°	APR.	Alex	DWG NO. XY-XH2.54-NA11-R	
.XX±0.25	.X*± 3°	CHK.	Jack	PROJ. CUSTOMER DRAWING	
.XXX±0.15	.XX*± 1°	DRA.	Can	SIZE A4	SCALE 1:1
				SHEET 1/1	REV. A