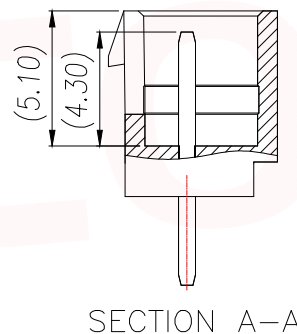
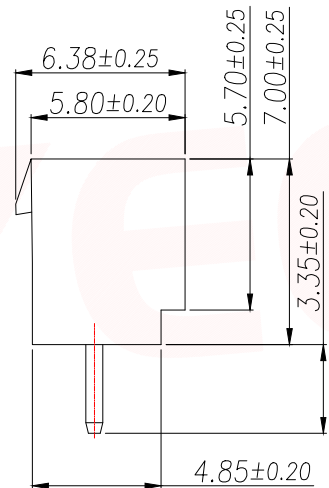
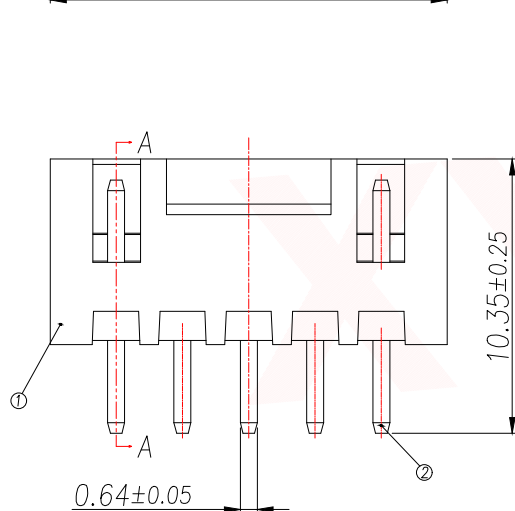
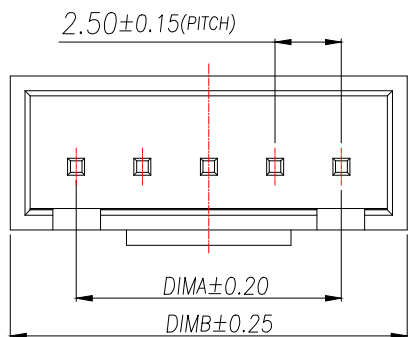


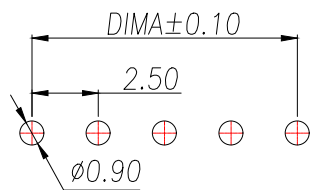
Technical Index:

1. Temperature range: $-25^{\circ}\text{C}\sim 85^{\circ}\text{C}$.
2. Rated voltage: 250V DC/AC(rms).
3. Rated current: 3.0A.
4. Contact resistance: $\leq 20\text{m}\Omega$.
5. Withstanding voltage: 1000V AC/minute.
6. Insulation resistance: $\geq 1000\text{M}\Omega$.

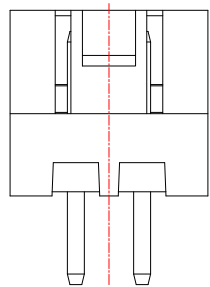


Part No	Pin	A	B
XY-XHB2.54-2A11-YT	2	2.5	7.5
XY-XHB2.54-3A11-YT	3	5.0	10.0
XY-XHB2.54-4A11-YT	4	7.5	12.5
XY-XHB2.54-5A11-YT	5	10.0	15.0
XY-XHB2.54-6A11-YT	6	12.5	17.5
XY-XHB2.54-7A11-YT	7	15.0	20.0
XY-XHB2.54-8A11-YT	8	17.5	22.5
XY-XHB2.54-9A11-YT	9	20.0	25.0
XY-XHB2.54-10A11-YT	10	22.5	27.5
XY-XHB2.54-11A11-YT	11	25.0	30.0
XY-XHB2.54-12A11-YT	12	27.5	32.5
XY-XHB2.54-13A11-YT	13	30.0	35.0
XY-XHB2.54-14A11-YT	14	32.5	37.5
XY-XHB2.54-15A11-YT	15	35.0	40.0
XY-XHB2.54-16A11-YT	16	37.5	42.5
XY-XHB2.54-17A11-YT	17	40.0	45.0

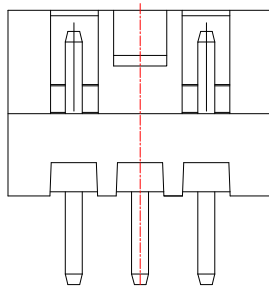
序号	品名	材质
1	基座Wafer	PA66 UL94V-2 黄色
2	端子Contact	铜合金/镀锡



适用线路板(PCB LAYOUT)



2PiN



3PiN

DIMENSION IN mm		TOLERANCE UNLESS OTHERWISE SPECIFIED		厦门市辛译精密电子有限公司 Xiamen XinYi Xyconn Electronics Co.,Ltd			
.X±0.35	X.*±5°	APR.	Alex	TITLE: WAFER 2.54 180° DIP 黄色 带扣			
.XX±0.25	.X.*±3°	CHK.	Jack	DWG. NO. XY-XHB2.54-NA11-YT			
.XXX±0.15	.XX.*±1°	DRA.	Can	PROJ.		CUSTOMER DRAWING	
		SIZE	A4	SCALE	1:1	SHEET	1/1
				REV.	A		