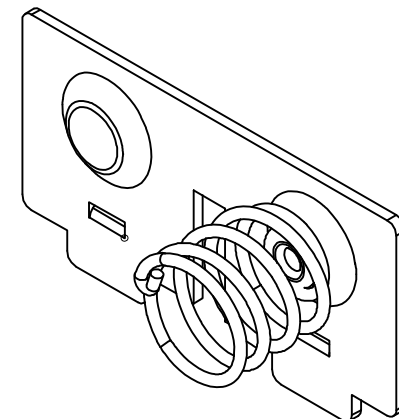
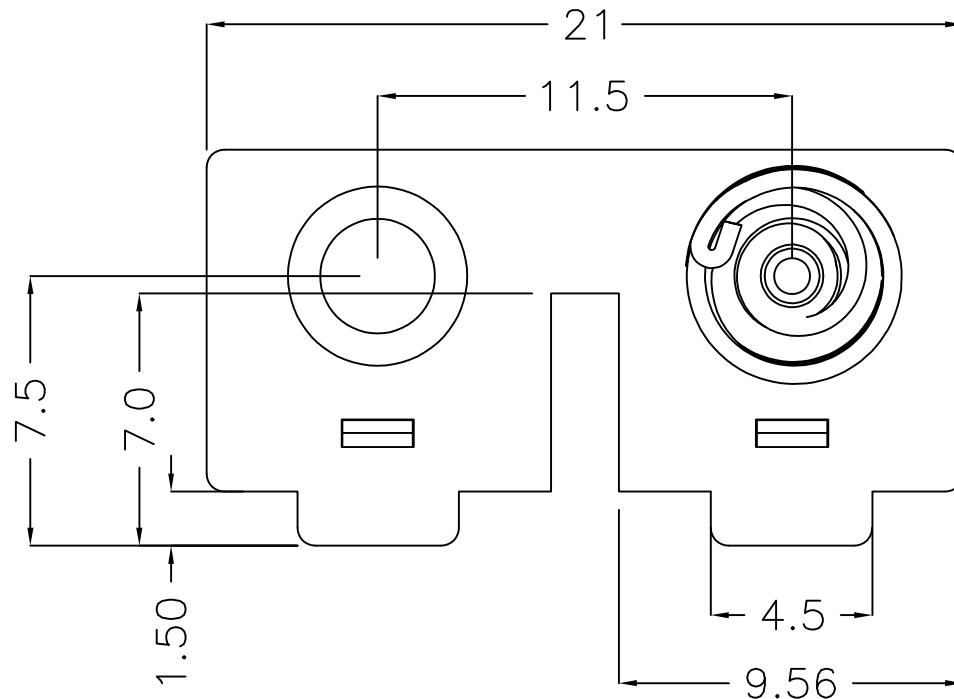
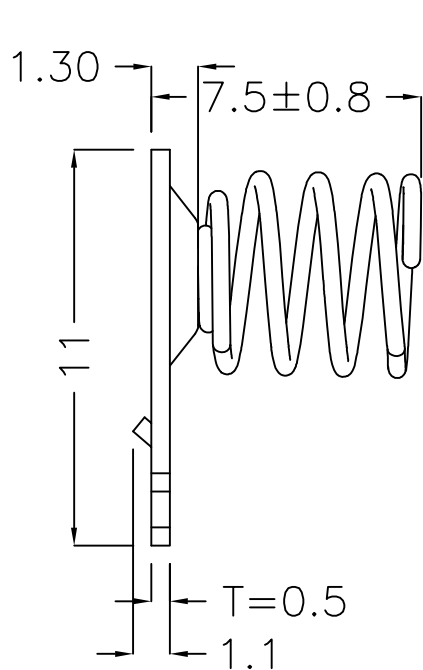




REV.	ECN NO.	REVISED	DATE



工程
2019-05-24
LQ. HUANG

UNLESS OTHERWISE SPECIFIED TOLERANCES		MYOUNG 美用 www.meiyangdz.com	
DECIMALS: X :±0.30 X.X :±0.25 X.XX :±0.20 X.XXX :±0.10	ANGLES: X :±1° X.X :±0.5°	DSND YangFeng	DATE 2019-05-24
WEIGHT:		CHKD ZhouRuicai	DATE 2019-05-24
SHEET 1 OF 1		APVD XueShun Yong	DATE 2019-05-24
SCALE:		SIZE: A4	VIEW:
UNIT: mm		REV.: A/0	OBJECT: MY
TITLE:		7# 电池连接片 (5214)	
PART NO.:		MY-AAA-5214	
DRAW NO.:		WD-CP-0052	

1	TERMINAL	1	STEEL, T=0.5MM	Ni-PLATING
NO.	PART NAME	Q'TY	MATERIAL	PLATING & COLOR