
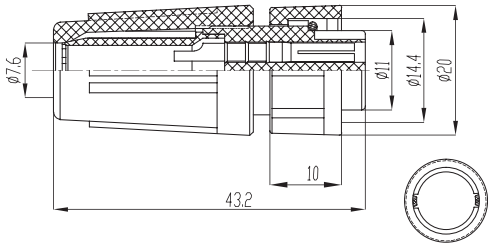

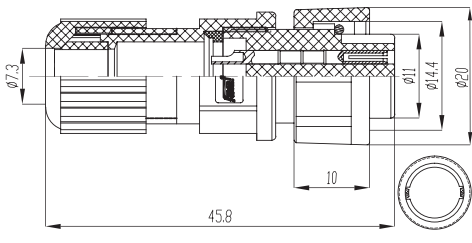

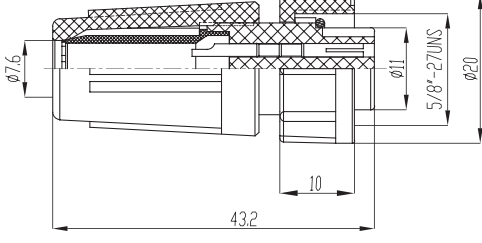

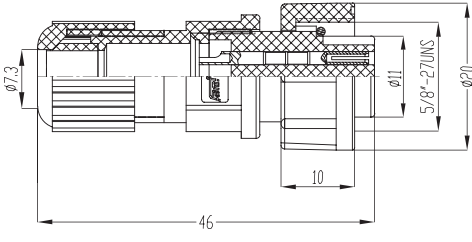

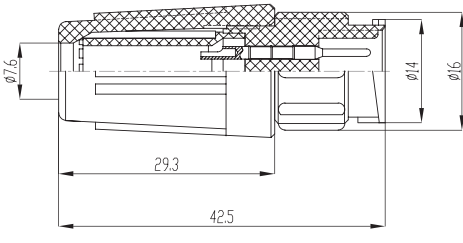

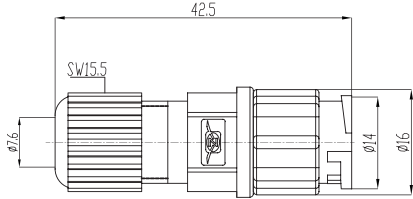

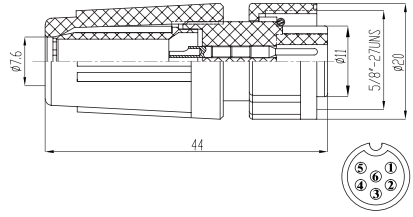

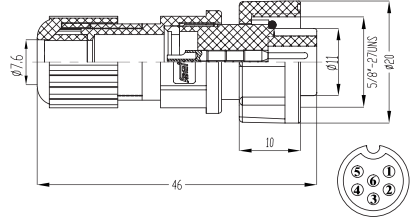

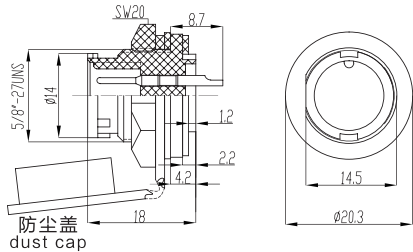

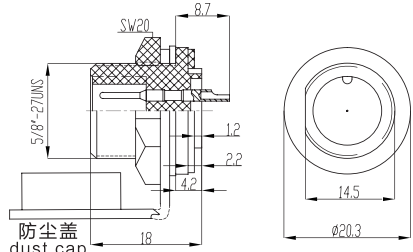

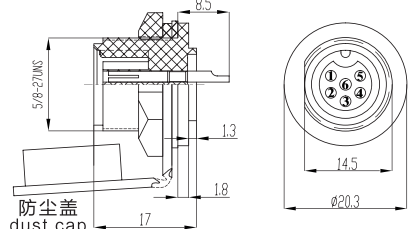
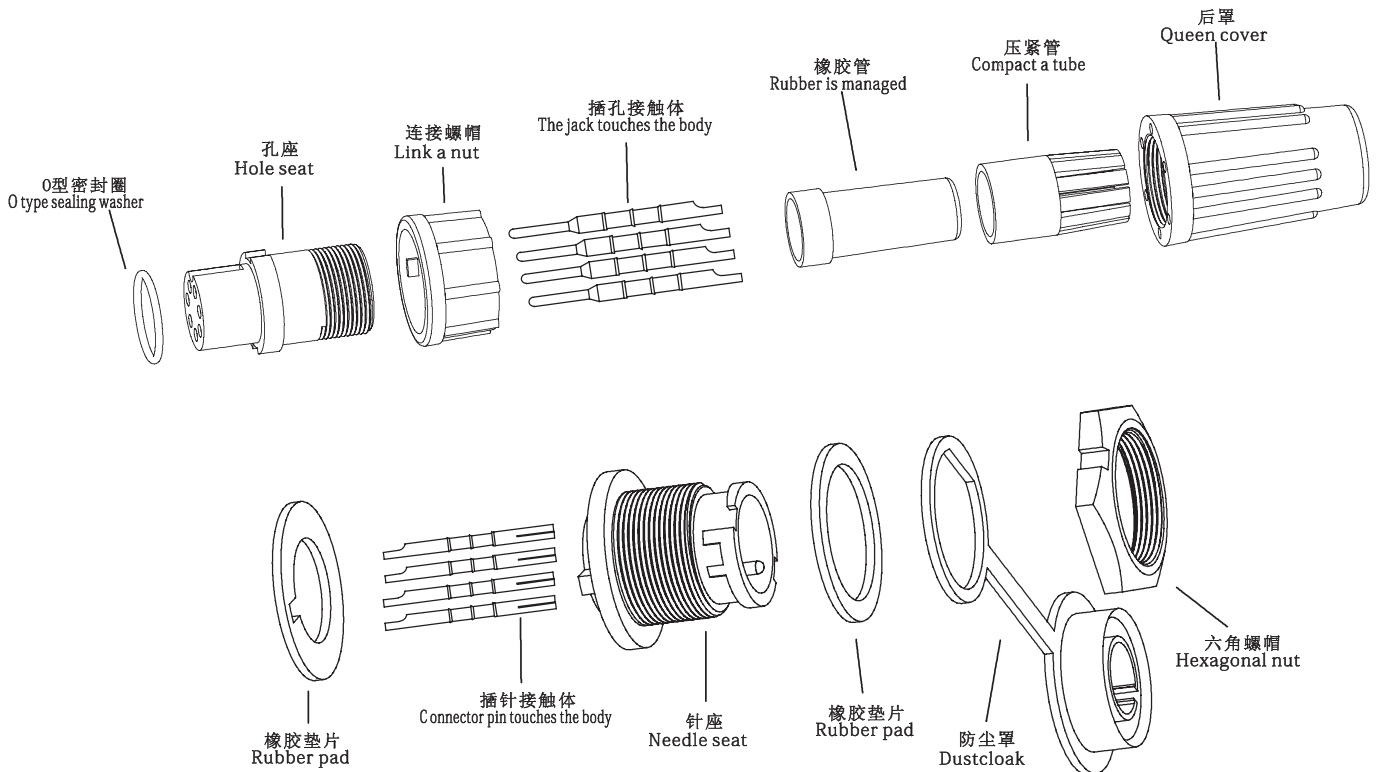


<p>图 例 Description-Figure</p>	<p>安装尺寸图 Drawing</p>	<p>芯数 Contacts</p>	<p>订货号 Ordering-NO</p>
<p><b>卡扣式防水电缆母插头</b> Bayonet straight female plug IP67</p> 		<p>2 3 4 2M 3M 4M 5 6 7 8 10 12</p>	<p>Z108-2A Z108-3A Z108-4A Z108-2MA Z108-3MA Z108-4MA Z108-5A Z108-6A Z108-7A Z108-8A Z108-10A Z108-12A</p>
<p><b>卡扣式防水 PG 式母插头</b> Bayonet straight female plug PG IP67</p> 		<p>2 3 4 2M 3M 4M 5 6 7 8 10 12</p>	<p>Z108-2A1 Z108-3A1 Z108-4A1 Z108-2MA1 Z108-3MA1 Z108-4MA1 Z108-5A1 Z108-6A1 Z108-7A1 Z108-8A1 Z108-10A1 Z108-12A1</p>
<p><b>螺纹式防水母插头</b> Threaded straight female plug IP67</p> 		<p>2 3 4 2M 3M 4M 5 6 7 8 10 12</p>	<p>Z108L-2A Z108L-3A Z108L-4A Z108L-2MA Z108L-3MA Z108L-4MA Z108L-5A Z108L-6A Z108L-7A Z108L-8A Z108L-10A Z108L-12A</p>
<p><b>螺纹式防水 PG 式母插头</b> Threaded straight female plug PG IP67</p> 		<p>2 3 4 2M 3M 4M 5 6 7 8 10 12</p>	<p>Z108L-2A1 Z108L-3A1 Z108L-4A1 Z108L-2MA1 Z108L-3MA1 Z108L-4MA1 Z108L-5A1 Z108L-6A1 Z108L-7A1 Z108L-8A1 Z108L-10A1 Z108L-12A1</p>
<p><b>卡扣防水对接公插头</b> Bayonet male cable connecting plug IP67</p> 		<p>2 3 4 2M 3M 4M 5 6 7 8</p>	<p>Z108-2K Z108-3K Z108-4K Z108-2MK Z108-3MK Z108-4MK Z108-5K Z108-6K Z108-7K Z108-8K</p>

图例 Description-Figure	安装尺寸图 Drawing	芯数 Contacts	订货号 Ordering-NO
<b>卡扣式防水 PG 对接公插头</b> Bayonet male PG type cable connecting plug IP67 		2 3 4 2M 3M 4M 5 6 7 8	Z108-2K1 Z108-3K1 Z108-4K1 Z108-2MK1 Z108-3MK1 Z108-4MK1 Z108-5K1 Z108-6K1 Z108-7K1 Z108-8K1
<b>螺纹式防水公插头</b> Threaded straight male plug IP67 		6	Z108FL-6A1
<b>螺纹式防水 PG 反装公插头</b> Threaded straight male plug IP67 		6	Z108FL-6A3
<b>卡扣式防水公插座</b> Bayonet male socket IP67 		2 3 4 2M 3M 4M 5 6 7 8 10 12	Z108-2B Z108-3B Z108-4B Z108-2MB Z108-3MB Z108-4MB Z108-5B Z108-6B Z108-7B Z108-8B Z108-10B Z108-12B
<b>螺纹式防水公插座</b> Threaded male socket IP67 		2 3 4 2M 3M 4M 5 6 7 8 10 12	Z108L-2B Z108L-3B Z108L-4B Z108L-2MB Z108L-3MB Z108L-4MB Z108L-5B Z108L-6B Z108L-7B Z108L-8B Z108L-10B Z108L-12B
<b>螺纹式防水母插座</b> Threaded female socket IP67 		6	Z108FL-6B

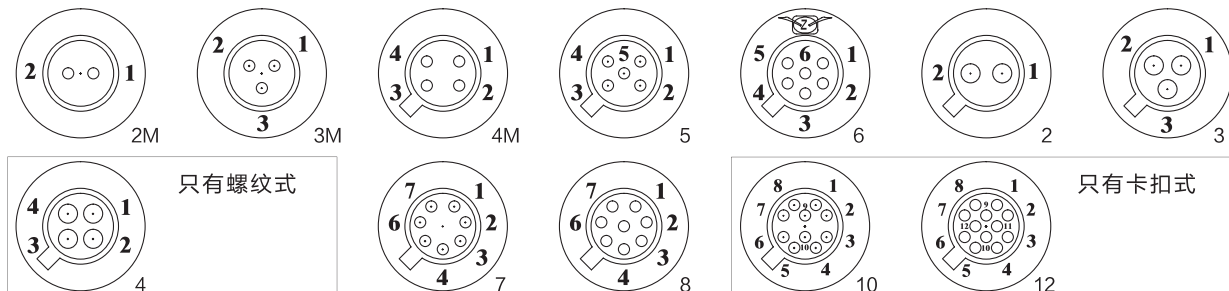


<p>图 例 Description-Figure</p>	<p>安装尺寸图 Drawing</p>	<p>芯数 Contacts</p>	<p>订货号 Ordering-NO</p>
<p><b>PCB 插针定做</b> The PCB pin can be customized</p>			
<p><b>插头防尘盖</b> Dust cap for plug</p>			<p>Z108-TGS</p>
<p><b>插头装配分解图</b> The attachment plug assembles decomposition picture</p>			



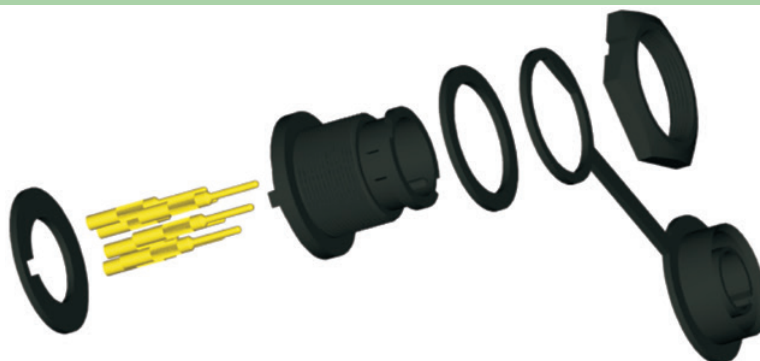
## 孔位排列 (从针的方向看)

The hole place arranges(Comply with the needle direction)



## 安装方式

Assemble way



## 材料和技术方式

Material and specifications

接插方式 Coupling	卡扣连接 Bayonet	接线方式 Termination	焊接 Solder
	螺纹连接 Threaded coupling		
外壳材料 Shell material	增强尼龙 PA66+30%GF	接插次数 Mating cycle	500次 500
绝缘体 Insert material	增强尼龙 PA66+30%GF	温度范围 Temperature range	-40℃ ~ +105℃
接触体材料 Contact material	铜 (镀银 / 金) copper(silverplated/gold)	电缆直径 Cable diameter	φ3mm ~ ≥ φ7.5mm

## 技术参数

Technology parameter

芯数 NO.of contacts	2	3	4	2M	3M	4M	5	6	7	8	10	12
额定电流 / 电压 Rated current/voltage	10A/ 200V	10A/ 200V	10A/ 200V	5A/ 200V	5A/ 200V	5A/ 200V	5A/ 125V	5A/ 125V	5A/ 125V	5A/ 125V	5A/ 125V	5A/ 125V
工作电压 (AC.V) 分钟 Operation limit voltage(AC.V.rms)	260	260	260	260	260	260	200	200	200	200	200	200
耐电压 (AC.V) 分钟 Withstanding voltage(AC.V.rms) 1 minute	1500	1500	1500	1500	1500	1500	1500	1500	1500	1500	1500	1500
绝缘阻抗 (MΩ) DC500V Insulation resistance(MΩ MIN.) at DC 500V	2000	2000	2000	2000	2000	2000	2000	2000	2000	2000	2000	2000
接触阻抗 (mΩ) DC1A Contact resistance (mΩ MAX.) AT DC 1A	6	6	6	3	3	3	3	3	3	3	3	3
焊杯口径 φ (mm) Solder cup mouth aperture	1.7	1.7	1.7	1.1	1.1	1.1	1.1	1.1	1.1	1.1	1.1	1.1
接触体孔径 φ (mm) Solder inter diameter	1.6	1.6	1.6	1	1	1	1	1	1	1	1	1