

THIS IS A C.A.D. GENERATED DRAWING
DO NOT MAKE MANUAL REVISIONS TO MASTER.



NOTES:
Size 9 way as 2 versions, without logo
and with "MH" logo.

* UNLESS OTHERWISE SPECIFIED TOLERANCES
ON DECIMAL IS: ANGLE ± 1°
UNIT: MM .XX ± 0.35

BACKSHELL KIT INCLUDES:

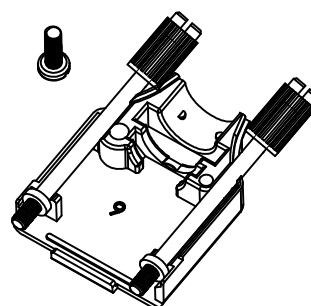
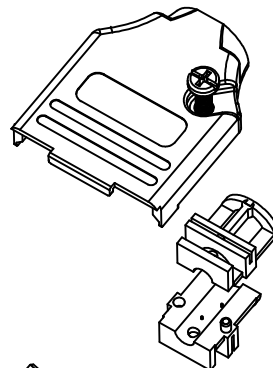
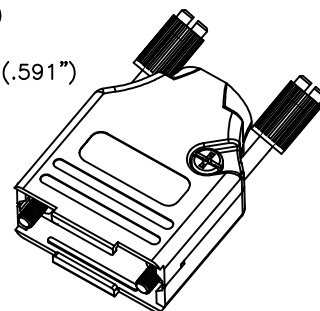
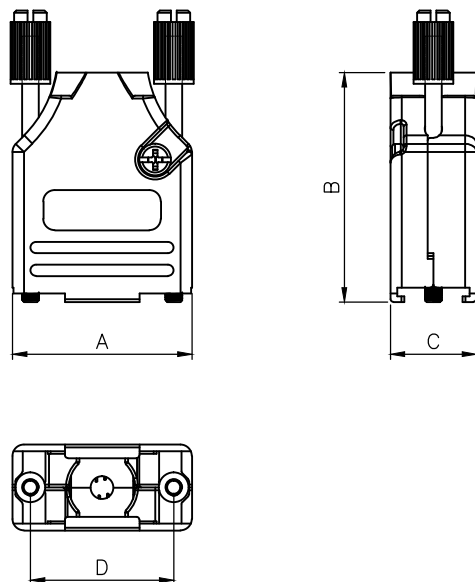
- (2)BACKSHELL HALVES
- (2)4-40 THUMBSCREWS
- (2)HOUSING SCREWS
- (1)SET OF COMPRESSION INSERTS-VARIOUS SIZES FOR 9-37
DIAMETERS 4mm(.157"), 5mm(.167"), 7mm(.276"), 9mm(.354")
- (1)SET OF COMPRESSION INSERTS-VARIOUS SIZES FOR 50
DIAMETERS 11mm(.433"), 12.5mm(.492"), 14mm(.551"), 15mm(.591")

MHDTZK9-DB9P-K=MHDTZK9-RA-PC-K + MHDB9SP
MHDTZK15-DB15P-K=MHDTZK15-RA-PC-K + MHDB15SP
MHDTZK25-DB25P-K=MHDTZK25-RA-PC-K + MHDB25SP

Without Logo: MHDTZK9-RA-PC-NL-K
With "MH" Logo: MHDTZK9-RA-PC-K

Size 15/25/37 way have only no logo
version.

DIMENSIONS(mm/in)				
SIZE	A ± 0.02	B ± 0.02	C ± 0.02	D ± 0.01
9	31.20	39.90	15.00	24.99
	1.228	1.571	0.591	0.984
15	39.50	41.50	15.00	33.32
	1.555	1.634	0.591	1.312
25	53.40	48.60	15.00	47.04
	2.102	1.913	0.591	1.852
37	69.70	53.60	15.00	63.50
	2.744	2.110	0.591	2.500
50	67.50	54.00	18.70	61.00
	2.657	2.126	0.736	2.402



ORDERING INFORMATION:

SIZE	P/N - KITTED	PRODUCT CODE
9-WAY	6560-3105-01	MHDTZK9-RA-PC-K
15-WAY	6560-3105-02	MHDTZK15-RA-PC-K
25-WAY	6560-3105-03	MHDTZK25-RA-PC-K
37-WAY	6560-3105-04	MHDTZK37-RA-PC-K
50-WAY	6560-3105-05	MHDTZK50-RA-PC-K

BACKSHELL MATERIAL: DIE-CAST ZINC ALLOY
PLATING: NICKEL
JACKSCREWS: STEEL:ZIN PLATED WITH PLASTIC KNOB
M3 HOODSCREWS: STEEL:ZIN PLATED
COMPRESSION INSERT: ABS,UL RECOGNIZED
OPERATING TEMP: -40°C TO+120°C

THESE DRAWINGS AND SPECIFICATIONS ARE THE
PROPERTY OF MH CONNECTORS AND SHALL NOT BE
REPRODUCED, COPIED OR USED AS THE BASIS FOR
THE MANUFACTURE OR SALE OF APPARATUS WITHOUT
WRITTEN PERMISSION.

DRAWN Johnny	DATE 11-24-15
APPROVED Victor Lin	DATE 11-24-15



THIS SERIES FULLY CONFORMS TO THE
EUROPEAN UNION DIRECTIVES 2002/95/EC
AND 2002/96/EC FOR RoHS COMPLIANCY.

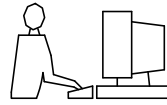


**MH CONNECTORS ,
DIVISION OF EDAC**

SCALE 1 : 1	SHEET OF 1 OF 1	REV: 7.0
----------------	--------------------	-------------

DRAWING No
MHDTZK-RA-PC

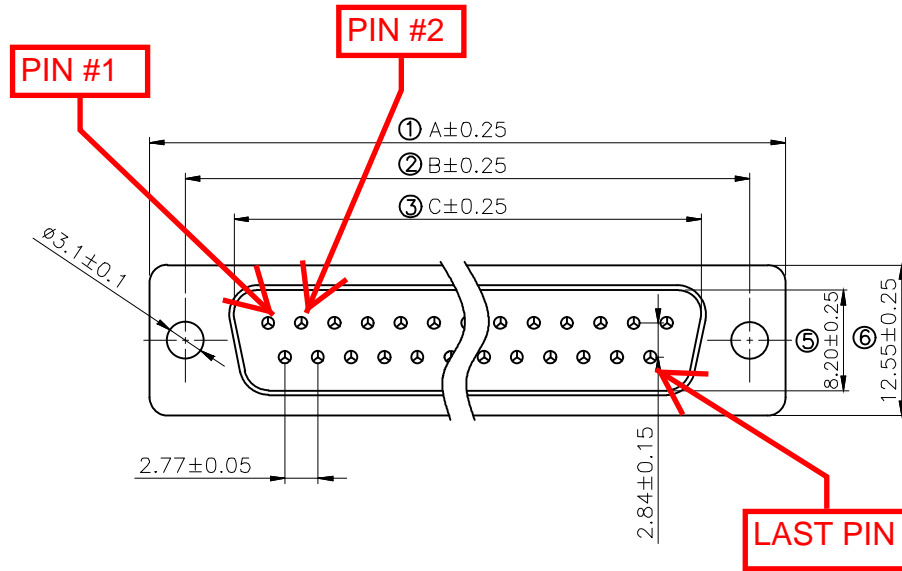
THIS IS A C.A.D. GENERATED DRAWING
DO NOT MAKE MANUAL REVISIONS TO MASTER.



* UNLESS OTHERWISE SPECIFIED TOLERANCES
ON DECIMAL IS: X.X ±0.15
 X.XX ±0.05
UNIT: MM ANGLE ±1°

ISSUE NUMBER

Original	①
Update drawing Johnny 2014/01/15	②
The tin plating on the back shell was updated to nickel plating Iven Ou 2022/08/31	③
Update the dimension line Position for dimension marking Iven Ou 2023/05/02	④
Current is updated from 5 AMP to 3 AMP. Iven Ou 2024/01/16	⑤



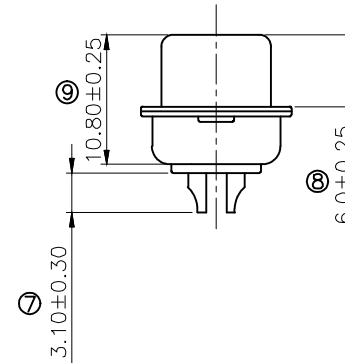
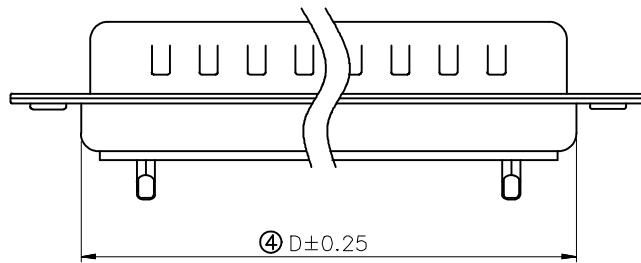
Remark:

1.SPECIFICATION:

Rated voltage:250V
Rates current:3AMP
Contact resistance:20MΩ MAX
Insulation resistance:1000MΩ MIN.at 500V DC
Withstand voltage:500V Per mintute
Temperature range:-55 -105°C

2.MATERIAL:

Plastic:PBT+30% G.F (UL94V-0) BLACK
Terminal:Brass ,Tin-gold plated
Spcc shell:Spcc front shell is nickel plated back shell is nickel plated



PN	PIN	A	B	C	D
MHDB9SP	09	30.81	24.99	16.92	19.28
MHDB15SP	15	39.25	33.32	25.25	27.75
MHDB25SP	25	53.03	47.04	38.96	41.30
MHDB37SP	37	69.50	63.50	55.42	57.40

THESE DRAWINGS AND SPECIFICATIONS ARE THE
PROPERTY OF MH CONNECTORS AND SHALL NOT BE
REPRODUCED, COPIED OR USED AS THE BASIS FOR
THE MANUFACTURE OR SALE OF APPARATUS WITHOUT
WRITTEN PERMISSION.

DRAWN Johnny	DATE 2012/07/16
APPROVED	DATE

SCALE 1 : 1	SHEET OF 1 OF 1	REV: 5.0
----------------	--------------------	-------------

DRAWING No
MHDB SP



THIS SERIES FULLY CONFORMS TO THE
EUROPEAN UNION DIRECTIVES 2015/863/EU
AND 2011/65/EU FOR RoHS COMPLIANCY.



MH CONNECTORS ,
DIVISION OF EDAC