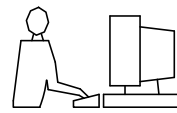


THIS IS A C.A.D. GENERATED DRAWING  
DO NOT MAKE MANUAL REVISIONS TO MASTER.

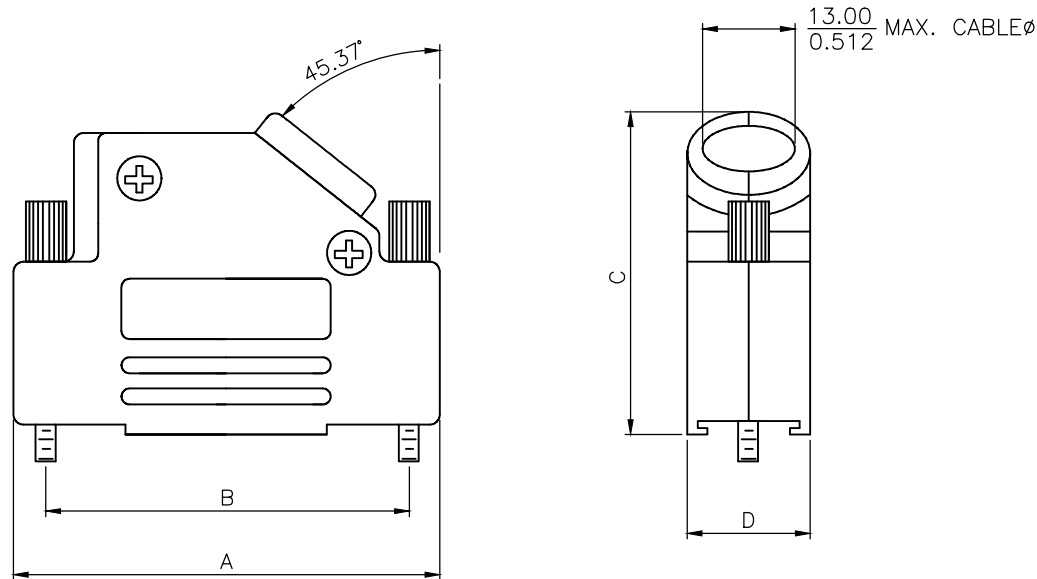


\* UNLESS OTHERWISE SPECIFIED TOLERANCES  
ON DECIMAL IS: ANGLE  $\pm 5^\circ$   
UNIT: MM X.  $\pm 0.38$   
X.X  $\pm 0.25$

**BACKSHELL KIT INCLUDES:**

- (2)BACKSHELL HALVES
- (2)4-40 THUMBSCREWS
- (2)HOUSING SCREWS & (2)NUTS
- (1)SET OF COMPRESSION INSERTS-VARIOUS SIZES  
DIAMETERS:4mm(.157"),5mm(.197"),7mm(.276"),9mm(.351")

NOTE: 9 POSITION HAS ONLY 1 THUMBSCREW  
(OPPOSITE CABLE ENTRY)



DIMENSIONS(mm/in)				
SIZE	A $\pm 1.70^{(+.067)}$ $\pm .50^{(-.02)}$	B $\pm .25$ $\pm .010$	C $\pm 2.40^{(+.094)}$ $\pm .50^{(-.02)}$	D $\pm .85^{(+.033)}$ $\pm .30^{(-.012)}$
9	31.00	24.99	36.30	15.00
	1.220	0.984	1.429	0.591
15	39.50	33.32	40.30	15.00
	1.555	1.312	1.587	0.591
25	53.20	47.04	40.30	15.00
	2.094	1.852	1.587	0.591
37	69.70	63.50	40.30	15.00
	2.744	2.500	1.587	0.591

**ORDERING INFORMATON:**

SIZE	P/N - KITTED	PRODUCT CODE
9-WAY	6560-0107-11	MHD45PPK9-K
15-WAY	6560-0107-12	MHD45PPK15-K
25-WAY	6560-0107-13	MHD45PPK25-K
37-WAY	6560-0107-14	MHD45PPK37-K

PLASTIC: ABS UL 94-HB RATED  
4-40 THUMBSCREWS: STEEL-BLACK OXIDE FINISH  
HOOD SCREWS: STEEL-BLACK OXIDE FINISH  
COMPRESSION INSERTS: ABS UL 94-HB RATED  
NUTS: STEEL-BLACK OXIDE FINISH  
OPERATING TEMP: -55°C TO+110°C

THESE DRAWINGS AND SPECIFICATIONS ARE THE PROPERTY OF MH CONNECTORS AND SHALL NOT BE REPRODUCED, COPIED OR USED AS THE BASIS FOR THE MANUFACTURE OR SALE OF APPARATUS WITHOUT WRITTEN PERMISSION.

DRAWN  
Johnny  
DATE  
11-24-15

APPROVED  
Victor Lin  
DATE  
11-24-15

SCALE  
1 : 1  
SHEET OF  
1 OF 1  
REV:  
2.0

DRAWING No  
MHD45PPK SERIES



THIS SERIES FULLY CONFORMS TO THE EUROPEAN UNION DIRECTIVES 2002/95/EC AND 2002/96/EC FOR RoHS COMPLIANCY.



**MH CONNECTORS ,  
DIVISION OF EDAC**