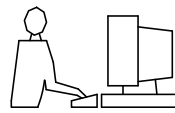


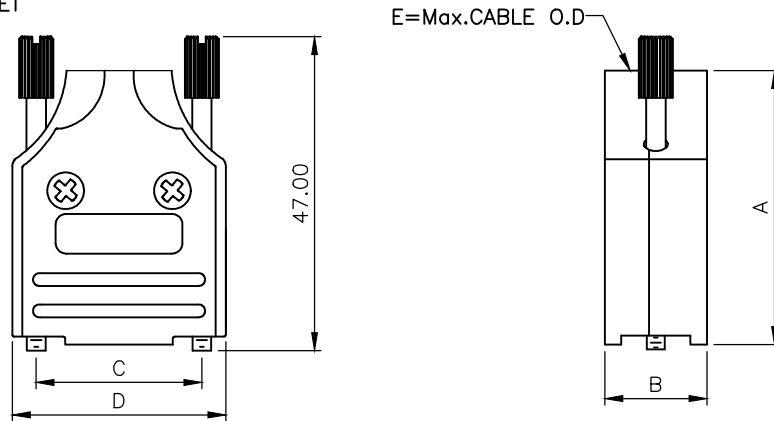
THIS IS A C.A.D. GENERATED DRAWING  
DO NOT MAKE MANUAL REVISIONS TO MASTER.



\* UNLESS OTHERWISE SPECIFIED TOLERANCES  
ON DECIMAL IS: ANGLE  $\pm 1^\circ$   
UNIT: MM

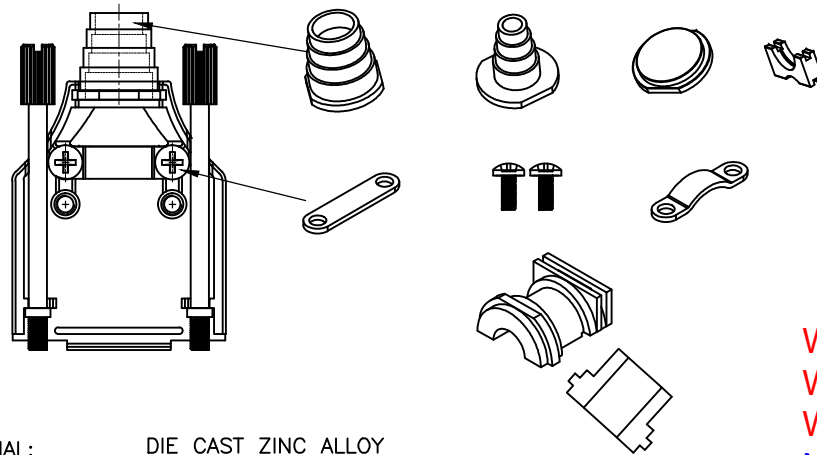
**BACKSHELL KIT INCLUDES:**

- (2)BACKSHELL HALVES
- (2)STRAIN RELIEF CLAMPS
- (2)STRAIN RELIEF SCREWS
- (2)MOUNTING SCREWS
- (2)THUMBSCREWS
- (1)GORMMET
- (1)GORMMET SET



No "MH" Logo 9Pin =MHEE-9-NL-K  
No "MH" Logo 15Pin=MHEE-15-NL-K  
No "MH" Logo 25Pin=MHEE-25-NL-K

DIMENSIONS(mm/in)					
SIZE	A $\pm_{0.012}^{0.30}$	B $\pm_{0.020}^{0.50}$	C $\pm_{0.010}^{0.25}$	D $\pm_{0.051}^{1.3}$	E
9	41.3	15.4	24.99	32.2	13.0
	1.626	0.606	0.984	1.268	0.512
15	43.3	15.4	33.32	40.6	13.0
	1.705	0.606	1.312	1.598	0.512
25	49.5	15.4	47.04	54.5	13.0
	1.949	0.606	1.852	2.146	0.512
37	54.3	15.4	63.50	70.7	13.0
	2.138	0.606	2.500	2.783	0.512



BACKSHELL: MATERIAL:  
PLATING:  
COMPRESSION INSERT:  
4-40 THUMBSCREWS:  
HOUSING SCREWS:  
STRAIN RELIEF CLAMP:  
STRAIN RELIEF SCREWS:  
OPERATING TEMP:

DIE CAST ZINC ALLOY  
NICKEL PLATED  
ABS-UL RECOGNIZED  
STEEL-Zn PLATED  
STEEL-Zn PLATED  
STEEL-NICKEL PLATED  
STEEL-Zn PLATED  
-40°C TO+120°C

**ORDERING INFORMATON:**

SIZE	P/N - KITTED	PRODUCT CODE
9-WAY	6560-0137-01	MHEE-9-K
15-WAY	6560-0137-02	MHEE-15-K
25-WAY	6560-0137-03	MHEE-25-K
37-WAY	6560-0137-04	MHEE-37-K

With "MH" Logo  
With "MH" Logo  
With "MH" Logo  
NO "MH" Logo

THESE DRAWINGS AND SPECIFICATIONS ARE THE PROPERTY OF MH CONNECTORS AND SHALL NOT BE REPRODUCED, COPIED OR USED AS THE BASIS FOR THE MANUFACTURE OR SALE OF APPARATUS WITHOUT WRITTEN PERMISSION.

DRAWN Johnny DATE 11-24-15

APPROVED Victor Lin DATE 11-24-15

SCALE 1 : 1 SHEET OF 1 OF 1 REV: 8.0

DRAWING No MHEEXX-K



THIS SERIES FULLY CONFORMS TO THE EUROPEAN UNION DIRECTIVES 2002/95/EC AND 2002/96/EC FOR RoHS COMPLIANCY.



MH CONNECTORS ,  
DIVISION OF EDAC