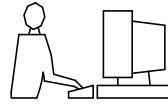


THIS IS A C.A.D. GENERATED DRAWING  
DO NOT MAKE MANUAL REVISIONS TO MASTER.



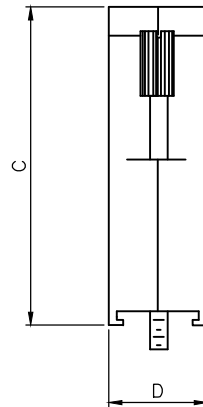
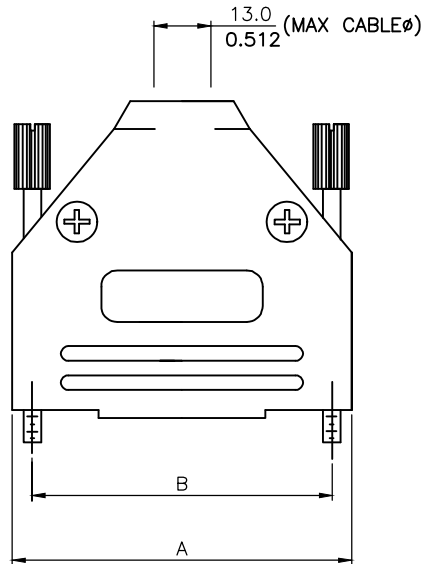
\* UNLESS OTHERWISE SPECIFIED TOLERANCES  
ON DECIMAL IS:

DRAWING UPDATED	④
Johnny	DEC.25-2020
DRAWING UPDATED	⑤
Johnny	March.15-2022

**BACKSHELL KIT INCLUDES:**

- (2)BACKSHELL HALVES
- (2)4-40 THUMBSCREWS
- (2)HOUSING SCREWS & (2)NUTS
- (1)SET OF COMPRESSION INSERTS-VARIOUS SIZES  
DIAMETERS:4mm(.157"),5mm(.197"),7mm(.276"),9mm(.351")

NOTE: 37 POSITION HAS (4) HOUSING  
SCREWS & (4)NUTS



DIMENSIONS(mm/in)								
SIZE	A		B		C		D	
	MM	(±0.50)	MM	(±0.50)	MM	(±0.50)	MM	(±0.50)
	INCH	(±0.02)	INCH	(±0.02)	INCH	(±0.02)	INCH	(±0.02)
9	MM	31.50	MM	24.99	MM	40.50	MM	15.00
	INCH	1.240	INCH	0.984	INCH	1.594	INCH	0.591
15	MM	40.00	MM	33.32	MM	40.50	MM	15.00
	INCH	1.575	INCH	1.312	INCH	1.594	INCH	0.591
25	MM	54.00	MM	47.04	MM	49.50	MM	15.00
	INCH	2.126	INCH	1.852	INCH	1.949	INCH	0.591
37	MM	70.50	MM	63.50	MM	54.50	MM	16.00
	INCH	2.776	INCH	2.500	INCH	2.146	INCH	0.630

**ORDERING INFORMATON:**

SIZE	P/N - KITTED	PRODUCT CODE
9-WAY	6560-0108-01	MHDTPPK9-K
15-WAY	6560-0108-02	MHDTPPK15-K
25-WAY	6560-0108-03	MHDTPPK25-K
37-WAY	6560-0108-04	MHDTPPK37-K

PLASTIC: ABS UL 94-HB RATED  
JACKSCREWS: STEEL-BLACK OXIDE FINISH  
M3 HOODSCREWS: STEEL-BLACK OXIDE FINISH  
COMPRESSION INSERTS: ABS UL 94-HB RATED  
M3 NUTS: STEEL-BLACK OXIDE FINISH  
OPERATING TEMP: -55°C TO+110°C

THESE DRAWINGS AND SPECIFICATIONS ARE THE  
PROPERTY OF MH CONNECTORS AND SHALL NOT BE  
REPRODUCED, COPIED OR USED AS THE BASIS FOR  
THE MANUFACTURE OR SALE OF APPARATUS WITHOUT  
WRITTEN PERMISSION.

DRAWN Johnny	DATE 03-15-22
-----------------	------------------

APPROVED Victor Lin	DATE 03-15-22
------------------------	------------------

SCALE	SHEET OF 1 OF 2	REV: 5.0
-------	--------------------	-------------

DRAWING No  
MHDTPPK SERIES

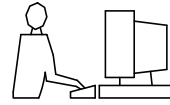


THIS SERIES FULLY CONFORMS TO THE  
EUROPEAN UNION DIRECTIVES 2011/65/EC  
AND 2011/65/EC FOR RoHS COMPLIANCY.



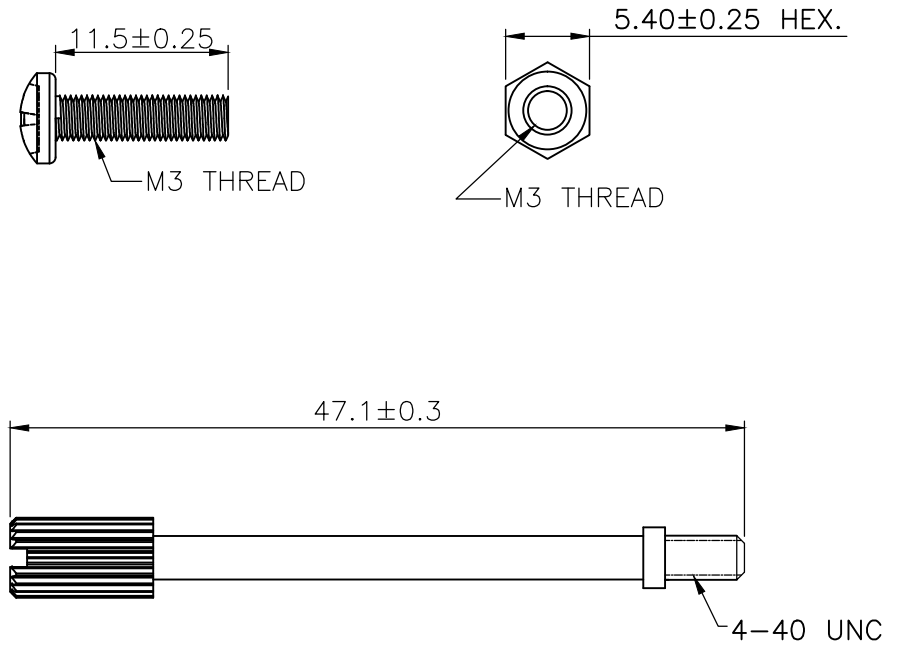
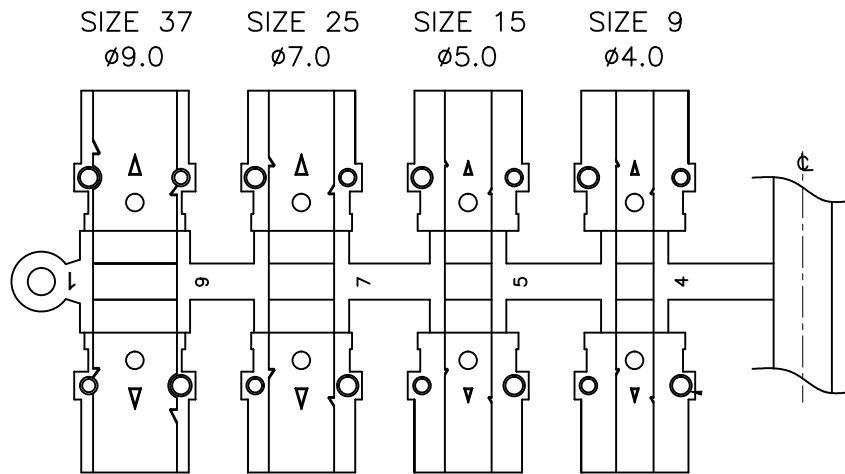
**MH CONNECTORS ,  
DIVISION OF EDAC**

THIS IS A C.A.D. GENERATED DRAWING  
DO NOT MAKE MANUAL REVISIONS TO MASTER.



\* UNLESS OTHERWISE SPECIFIED TOLERANCES  
ON DECIMAL IS:

DRAWING UPDATED ④  
Johnny DEC.25-2020  
DRAWING UPDATED ⑤  
Johnny March.15-2022



THESE DRAWINGS AND SPECIFICATIONS ARE THE  
PROPERTY OF MH CONNECTORS AND SHALL NOT BE  
REPRODUCED, COPIED OR USED AS THE BASIS FOR  
THE MANUFACTURE OR SALE OF APPARATUS WITHOUT  
WRITTEN PERMISSION.

DRAWN  
Johnny  
DATE  
03-15-22

APPROVED  
Victor Lin  
DATE  
03-15-22

SCALE SHEET OF REV:  
2 OF 2 5.0

DRAWING No  
MHDTPPK SERIES



THIS SERIES FULLY CONFORMS TO THE  
EUROPEAN UNION DIRECTIVES 2011/65/EC  
AND 2011/65/EC FOR RoHS COMPLIANCY.



MH CONNECTORS,  
DIVISION OF EDAC