

THIS IS A C.A.D. GENERATED DRAWING  
DO NOT MAKE MANUAL REVISIONS TO MASTER.



**NOTES:**  
Size 9 way has 2 versions, without logo  
and with "MH" logo.

\* UNLESS OTHERWISE SPECIFIED TOLERANCES  
ON DECIMAL IS: ANGLE ± 1°  
UNIT: MM .XX ± 0.35

**BACKSHELL KIT INCLUDES:**

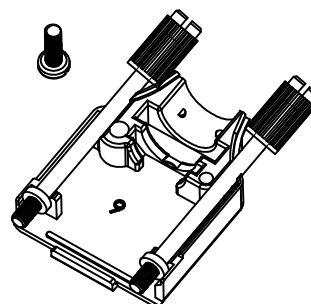
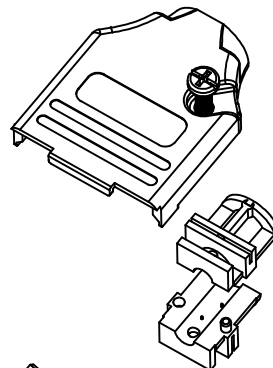
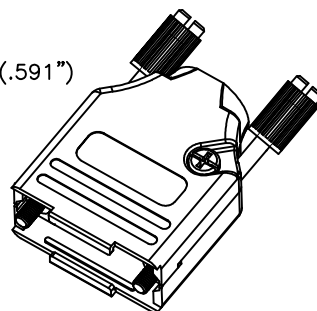
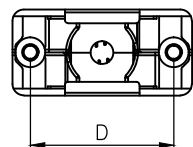
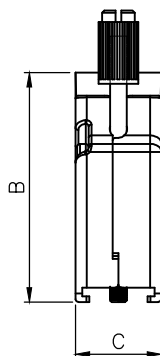
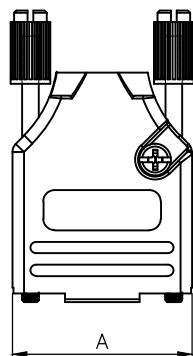
- (2)BACKSHELL HALVES
- (2)4-40 THUMBSCREWS
- (2)HOUSING SCREWS
- (1)SET OF COMPRESSION INSERTS-VARIOUS SIZES FOR 9-37  
DIAMETERS 4mm(.157"), 5mm(.167"), 7mm(.276"), 9mm(.354")
- (1)SET OF COMPRESSION INSERTS-VARIOUS SIZES FOR 50  
DIAMETERS 11mm(.433"), 12.5mm(.492"), 14mm(.551"), 15mm(.591")

MHDTZK9-DM9S-K=MHDTZK9-RA-PC-K + MHDM9SS  
MHDTZK15-DM15S-K=MHDTZK15-RA-PC-K + MHDM15SS  
MHDTZK25-DM25S-K=MHDTZK25-RA-PC-K + MHDM25SS

Without Logo: MHDTZK9-RA-PC-NL-K  
With "MH" Logo: MHDTZK9-RA-PC-K

Size 15/25/37 way have only no logo  
version.

DIMENSIONS(mm/in)				
SIZE	A $\pm 0.02$	B $\pm 0.02$	C $\pm 0.02$	D $\pm 0.01$
9	31.20	39.90	15.00	24.99
	1.228	1.571	0.591	0.984
15	39.50	41.50	15.00	33.32
	1.555	1.634	0.591	1.312
25	53.40	48.60	15.00	47.04
	2.102	1.913	0.591	1.852
37	69.70	53.60	15.00	63.50
	2.744	2.110	0.591	2.500
50	67.50	54.00	18.70	61.00
	2.657	2.126	0.736	2.402



**ORDERING INFORMATON:**

SIZE	P/N - KITTED	PRODUCT CODE
9-WAY	6560-3105-01	MHDTZK9-RA-PC-K
15-WAY	6560-3105-02	MHDTZK15-RA-PC-K
25-WAY	6560-3105-03	MHDTZK25-RA-PC-K
37-WAY	6560-3105-04	MHDTZK37-RA-PC-K
50-WAY	6560-3105-05	MHDTZK50-RA-PC-K

BACKSHELL MATERIAL: DIE-CAST ZINC ALLOY  
PLATING: NICKEL  
JACKSCREWS: STEEL:ZN PLATED WITH PLASTIC KNOB  
M3 HOODSCREWS: STEEL:ZN PLATED  
COMPRESSION INSERT: ABS,UL RECOGNIZED  
OPERATING TEMP: -40°C TO+120°C

THESE DRAWINGS AND SPECIFICATIONS ARE THE  
PROPERTY OF MH CONNECTORS AND SHALL NOT BE  
REPRODUCED, COPIED OR USED AS THE BASIS FOR  
THE MANUFACTURE OR SALE OF APPARATUS WITHOUT  
WRITTEN PERMISSION.

DRAWN Johnny	DATE 11-24-15
APPROVED Victor Lin	DATE 11-24-15



THIS SERIES FULLY CONFORMS TO THE  
EUROPEAN UNION DIRECTIVES 2002/95/EC  
AND 2002/96/EC FOR RoHS COMPLIANCY.



**MH CONNECTORS ,  
DIVISION OF EDAC**

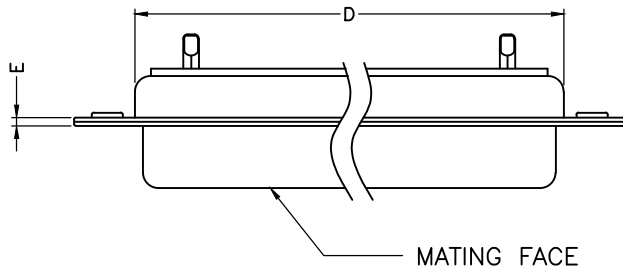
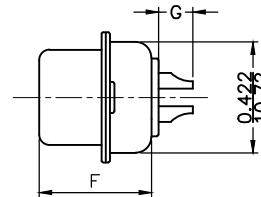
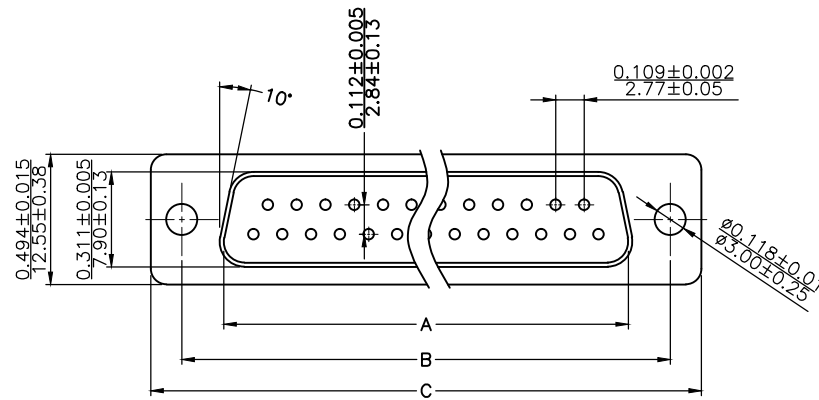
SCALE 1 : 1	SHEET OF 1 OF 1	REV: 7.0
----------------	--------------------	-------------

DRAWING No  
MHDTZK-RA-PC

THIS IS A C. A. D. GENERATED DRAWING  
DO NOT MAKE MANUAL REVISIONS TO MASTER.



\* UNLESS OTHERWISE SPECIFIED TOLERANCES  
ON DECIMAL IS: .XX ± 0.25  
UNIT: MM



Material & Finish  
Shell:  
Steel  
Nickel plated

Pin Contact:  
Brass  
Gold plated over nickel

Insulator:  
PBT glass-fiber reinforced UL 94-V0

Number of contact:  
9,15,25,37,50

Current rating: 5 amp

Contact Resistance: 30mΩ MAX

Dielectric strength:  
1000V for one minute

Insulator resistance:  
5000MΩ Min at 500V DC

Temperature: -55°C ~ 105°C

ITEM NO	A ±0.25	B ±0.13	C ±0.38	D ±0.25	E ±0.10	F ±0.13	G ±0.25
MHDM9SS	16.33(0.643)	24.99(0.984)	30.81(1.213)	19.28(0.759)	0.80(0.0315)	10.9(0.429)	3.80(0.150)
MHDM15SS	24.66(0.971)	33.32(1.312)	39.14(1.541)	27.51(1.083)	0.80(0.0315)	10.9(0.429)	3.80(0.150)
MHDM25SS	38.38(1.511)	47.04(1.852)	53.04(2.088)	41.30(1.625)	0.80(0.0315)	10.9(0.429)	3.80(0.150)
MHDM37SS	54.84(2.159)	63.50(2.500)	69.32(2.729)	57.71(2.272)	0.80(0.0315)	10.9(0.429)	3.80(0.150)
MHDM50SS	52.34(2.060)	61.11(2.406)	66.92(2.634)	55.30(2.177)	0.80(0.0315)	10.9(0.429)	3.80(0.150)

THESE DRAWINGS AND SPECIFICATIONS ARE THE PROPERTY OF MH CONNECTORS AND SHALL NOT BE REPRODUCED, COPIED OR USED AS THE BASIS FOR THE MANUFACTURE OR SALE OF APPARATUS WITHOUT WRITTEN PERMISSION.

DRAWN  
Iven Ou  
DATE  
09-01-22

APPROVED  
DATE

SCALE  
1 : 1  
SHEET OF  
1 OF 1  
REV:  
5.0

DRAWING No  
MHDM SS



THIS SERIES FULLY CONFORMS TO THE EUROPEAN UNION DIRECTIVES 2002/95/EC AND 2002/96/EC FOR RoHS COMPLIANCY.



MH CONNECTORS,  
DIVISION OF EDAC