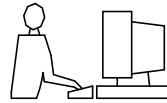


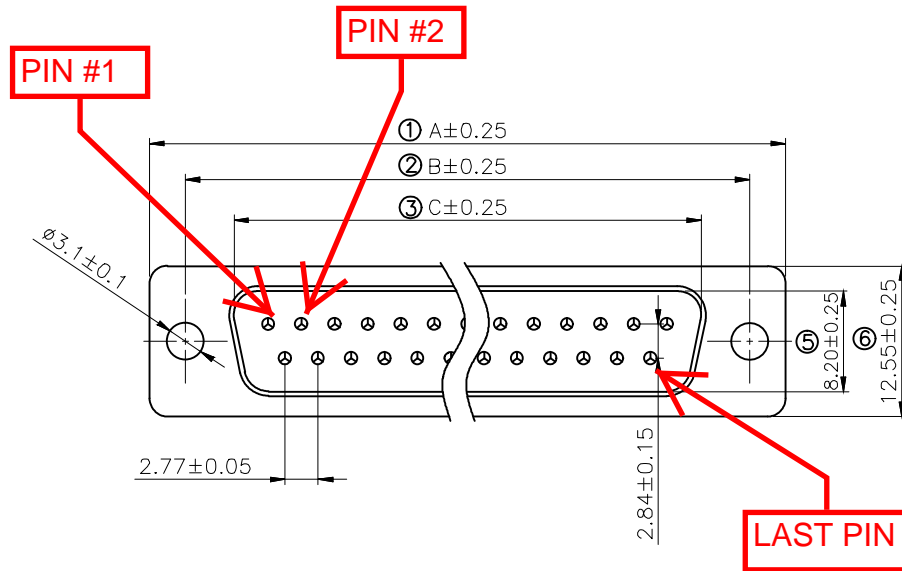
THIS IS A C.A.D. GENERATED DRAWING
DO NOT MAKE MANUAL REVISIONS TO MASTER.



* UNLESS OTHERWISE SPECIFIED TOLERANCES
ON DECIMAL IS: X.X ±0.15
 X.XX ±0.05
UNIT: MM ANGLE ±1°

ISSUE NUMBER

Original	①
Update drawing Johnny 2014/01/15	②
The tin plating on the back shell was updated to nickel plating Iven Ou 2022/08/31	③
Update the dimension line Position for dimension marking Iven Ou 2023/05/02	④
Current is updated from 5 AMP to 3 AMP. Iven Ou 2024/01/16	⑤



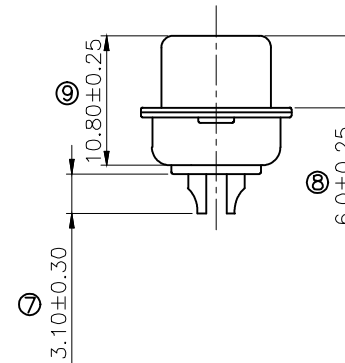
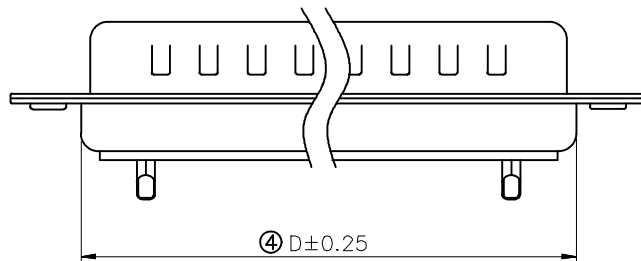
Remark:

1.SPECIFICATION:

Rated voltage:250V
 Rates current:3AMP
 Contact resistance:20MΩ MAX
 Insulation resistance:1000MΩ MIN.at 500V DC
 Withstand voltage:500V Per mintute
 Temperature range:-55 -105°C

2.MATERIAL:

Plastic:PBT+30% G.F (UL94V-0) BLACK
 Terminal:Brass ,Tin-gold plated
 Spcc shell:Spcc front shell is nickel plated back shell is nickel plated



PN	PIN	A	B	C	D
MHDB9SP	09	30.81	24.99	16.92	19.28
MHDB15SP	15	39.25	33.32	25.25	27.75
MHDB25SP	25	53.03	47.04	38.96	41.30
MHDB37SP	37	69.50	63.50	55.42	57.40

THESE DRAWINGS AND SPECIFICATIONS ARE THE
PROPERTY OF MH CONNECTORS AND SHALL NOT BE
REPRODUCED, COPIED OR USED AS THE BASIS FOR
THE MANUFACTURE OR SALE OF APPARATUS WITHOUT
WRITTEN PERMISSION.

DRAWN Johnny	DATE 2012/07/16
APPROVED	DATE

SCALE 1 : 1	SHEET OF 1 OF 1	REV: 5.0
----------------	--------------------	-------------

DRAWING No
MHDB SP



THIS SERIES FULLY CONFORMS TO THE
EUROPEAN UNION DIRECTIVES 2015/863/EU
AND 2011/65/EU FOR RoHS COMPLIANCY.



MH CONNECTORS ,
DIVISION OF EDAC