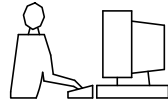


THIS IS A C.A.D. GENERATED DRAWING
DO NOT MAKE MANUAL REVISIONS TO MASTER.



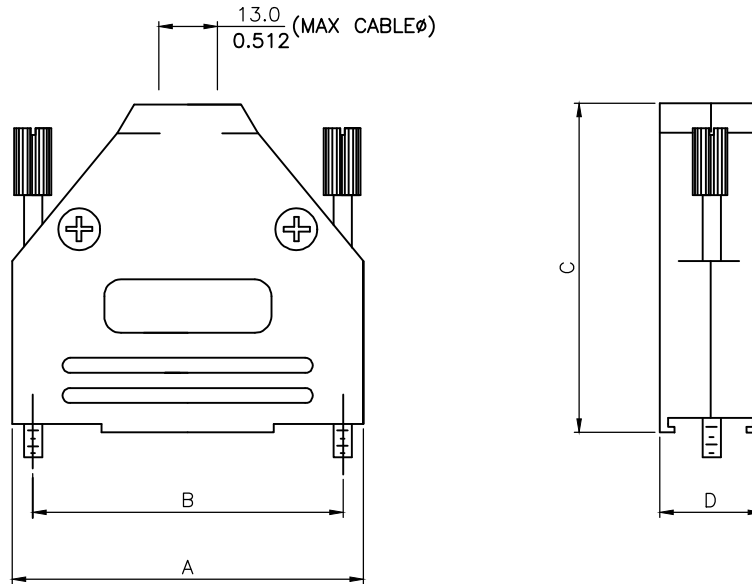
* UNLESS OTHERWISE SPECIFIED TOLERANCES
ON DECIMAL IS:

DRAWING UPDATED ③
Johnny DEC.04-2020
DRAWING UPDATED ④
Johnny March.15-2022

BACKSHELL KIT INCLUDES:

- (2)BACKSHELL HALVES
- (2)4-40 THUMBSCREWS
- (2)HOUSING SCREWS & (2)NUTS
- (1)SET OF COMPRESSION INSERTS-VARIOUS SIZES
DIAMETERS:4mm(.157"),5mm(.197"),7mm(.276"),9mm(.351")

NOTE: 37 POSITION HAS (4) HOUSING
SCREWS & (4)NUTS



DIMENSIONS(mm/in)								
SIZE	A		B		C		D	
	MM	(±0.50)	MM	(±0.50)	MM	(±0.50)	MM	(±0.50)
9	INCH	(±0.02)	INCH	(±0.02)	INCH	(±0.02)	INCH	(±0.02)
	MM	31.50	MM	24.99	MM	40.50	MM	15.00
15	INCH	1.240	INCH	0.984	INCH	1.594	INCH	0.591
	MM	40.00	MM	33.32	MM	40.50	MM	15.00
25	INCH	1.575	INCH	1.312	INCH	1.594	INCH	0.591
	MM	54.00	MM	47.04	MM	49.50	MM	15.00
37	INCH	2.126	INCH	1.852	INCH	1.949	INCH	0.591
	MM	70.50	MM	63.50	MM	54.50	MM	16.00
	INCH	2.776	INCH	2.500	INCH	2.146	INCH	0.630

ORDERING INFORMATON:

SIZE	P/N - KITTED	PRODUCT CODE
9-WAY	6560-0145-01	MHDTPK9-K
15-WAY	6560-0145-02	MHDTPK15-K
25-WAY	6560-0145-03	MHDTPK25-K
37-WAY	6560-0145-04	MHDTPK37-K

MHDTPK9-DB9S-K=MHDTPK9-K + MHDB9SS
 MHDTPK15-DB15S-K=MHDTPK15-K + MHDB15SS
 MHDTPK25-DB25S-K=MHDTPK25-K + MHDB25SS
 MHDTPK37-DB37S-K=MHDTPK37-K + MHDB37SS

PLASTIC: ABS UL 94-HB RATED
 PLATING: NICKEL PLATED
 JACKSCREWS: STEEL-ZINC PLATED
 M3 HOODSCREWS: STEEL-ZINC PLATED
 COMPRESSION INSERTS: ABS UL 94-HB RATED
 M3 NUTS: STEEL-ZINC PLATED
 OPERATING TEMP: -55°C TO+110°C

THESE DRAWINGS AND SPECIFICATIONS ARE THE
PROPERTY OF MH CONNECTORS AND SHALL NOT BE
REPRODUCED, COPIED OR USED AS THE BASIS FOR
THE MANUFACTURE OR SALE OF APPARATUS WITHOUT
WRITTEN PERMISSION.

DRAWN Johnny	DATE 03-15-22
APPROVED Victor Lin	DATE 03-15-22

SCALE	SHEET OF 1 OF 2	REV: 4.0
-------	--------------------	-------------

DRAWING No
MHDTPK SERIES

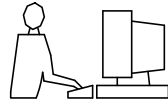


THIS SERIES FULLY CONFORMS TO THE
EUROPEAN UNION DIRECTIVES 2002/95/EC
AND 2002/96/EC FOR RoHS COMPLIANCY.



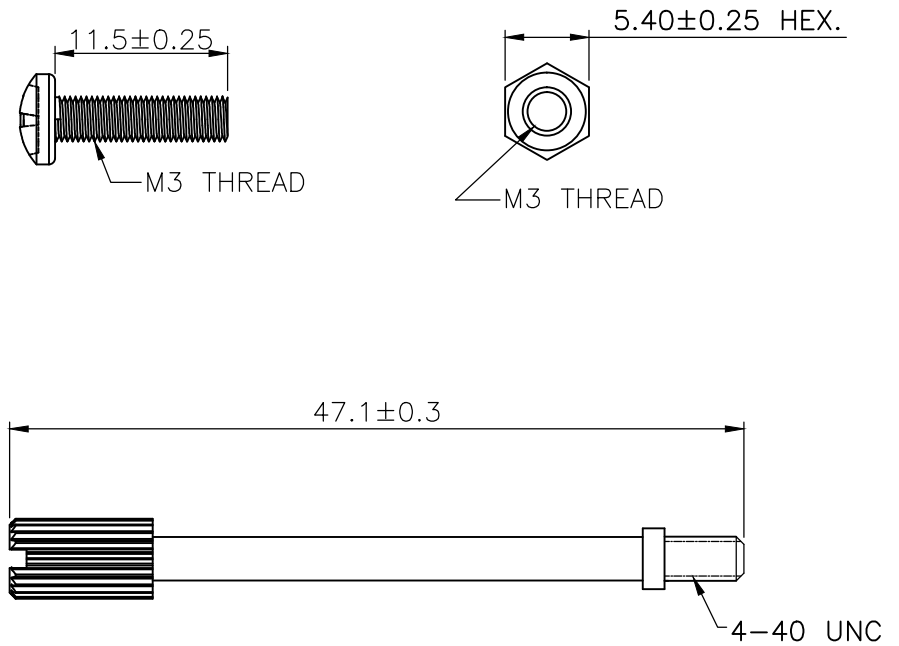
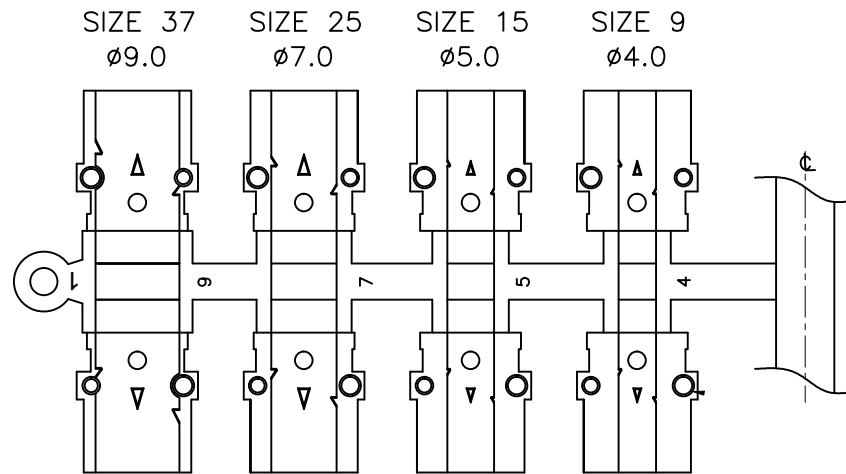
**MH CONNECTORS ,
DIVISION OF EDAC**

THIS IS A C.A.D. GENERATED DRAWING
DO NOT MAKE MANUAL REVISIONS TO MASTER.



* UNLESS OTHERWISE SPECIFIED TOLERANCES
ON DECIMAL IS:

DRAWING UPDATED ③
Johnny DEC.04-2020
DRAWING UPDATED ④
Johnny March.15-2022



THESE DRAWINGS AND SPECIFICATIONS ARE THE
PROPERTY OF MH CONNECTORS AND SHALL NOT BE
REPRODUCED, COPIED OR USED AS THE BASIS FOR
THE MANUFACTURE OR SALE OF APPARATUS WITHOUT
WRITTEN PERMISSION.

DRAWN
Johnny
DATE
03-15-22

APPROVED
Victor Lin
DATE
03-15-22

SCALE
SHEET OF
2 OF 2
REV:
4.0

DRAWING No
MHDPK SERIES

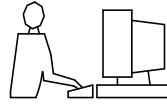


THIS SERIES FULLY CONFORMS TO THE
EUROPEAN UNION DIRECTIVES 2002/95/EC
AND 2002/96/EC FOR RoHS COMPLIANCY.



MH CONNECTORS,
DIVISION OF EDAC

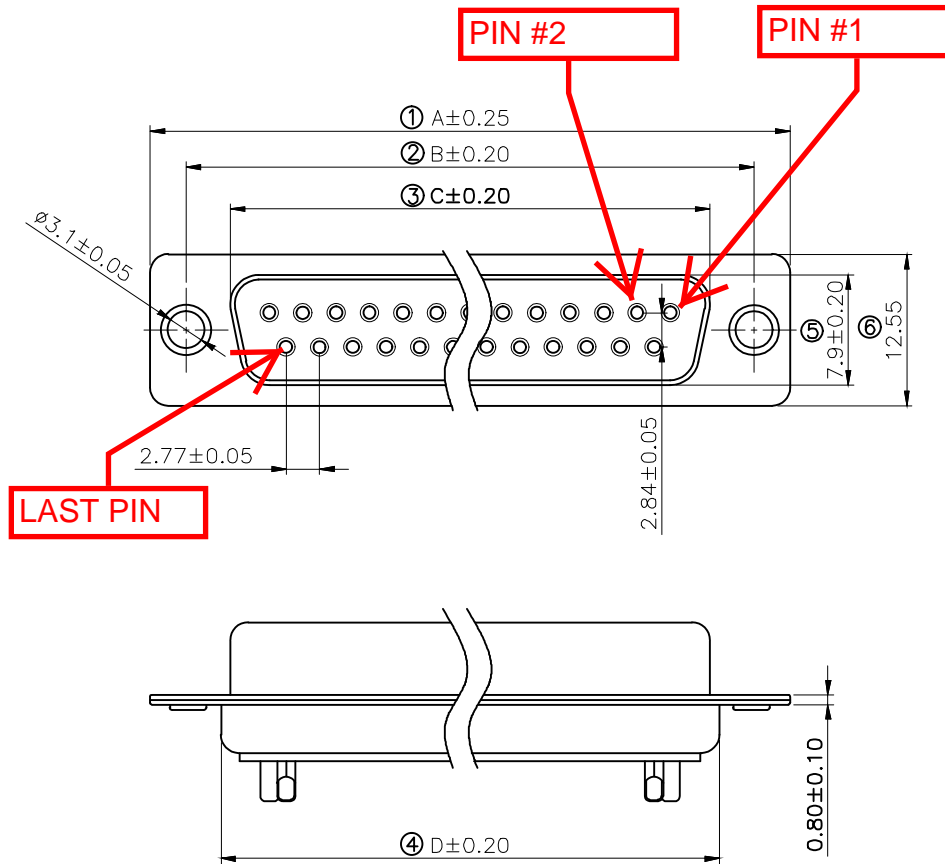
THIS IS A C.A.D. GENERATED DRAWING
DO NOT MAKE MANUAL REVISIONS TO MASTER.



* UNLESS OTHERWISE SPECIFIED TOLERANCES
ON DECIMAL IS: X.X ±0.15
 X.XX ±0.05
UNIT: MM ANGLE ±1°

ISSUE NUMBER

Original	①
Update the drawing frame;Current is updated from 5 AMP to 3 AMP. Iven Ou 2024/01/16	④



Remark:

1.SPECIFICATION:

- Rated voltage:250V
- Rated current:3AMP
- Contact resistance:20MΩ MAX
- Insulation resistance:1000MΩ MIN.at 500V DC
- Withstand voltage:500V Per minute
- Temperature range:-55 -105 °C

2.MATERIAL:

- Plastic:PBT+30% G.F (UL94V-0) BLACK
- Terminal:brass ,tin-gold plated
- Spcc shell:Spcc front shell is nickel plated back shell is nickel plated

PN	PIN	A	B	C	D
MHDB9SS	09	30.88	24.88	16.17	18.94
MHDB15SS	15	39.20	33.30	24.66	27.50
MHDB25SS	25	53.02	47.04	38.38	41.20
MHDB37SS	37	69.40	63.50	55.20	57.40

THESE DRAWINGS AND SPECIFICATIONS ARE THE PROPERTY OF MH CONNECTORS AND SHALL NOT BE REPRODUCED, COPIED OR USED AS THE BASIS FOR THE MANUFACTURE OR SALE OF APPARATUS WITHOUT WRITTEN PERMISSION.

DRAWN Johnny DATE 2012/07/16

APPROVED DATE

SCALE 1 : 1 SHEET OF 1 OF 1 REV: 4.0

DRAWING No MHDB SS



THIS SERIES FULLY CONFORMS TO THE EUROPEAN UNION DIRECTIVES 2015/863/EU AND 2011/65/EU FOR RoHS COMPLIANCY.



MH CONNECTORS ,
DIVISION OF EDAC