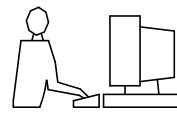


THIS IS A C.A.D. GENERATED DRAWING
DO NOT MAKE MANUAL REVISIONS TO MASTER.

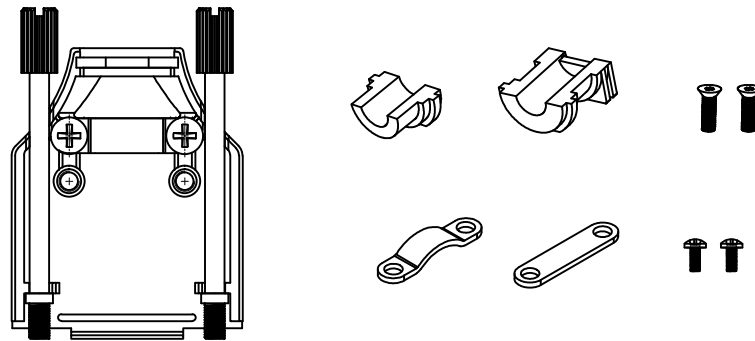
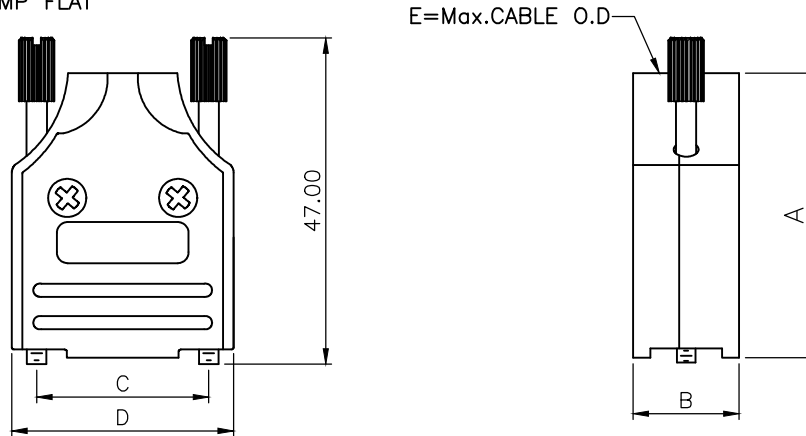


* UNLESS OTHERWISE SPECIFIED TOLERANCES
ON DECIMAL IS: ANGLE $\pm 1^\circ$
UNIT: MM .XX ± 0.50

BACKSHELL KIT INCLUDES:

- (2)BACKSHELL HALVES
- (1)GROMMET
- (2)JACKSCREWS
- (2)SHELLSCREWS
- (2)CLAMPSCREWS
- (1)METAL CLAMP
- (1)METAL CLAMP FLAT

MHDM9-DM9S-K=MHDM9-K + MHDM9SS
MHDM15-DM15S-K=MHDM15-K + MHDM15SS
MHDM25-DM25S-K=MHDM25-K + MHDM25SS
MHDM37-DM37S-K=MHDM37-K + MHDM37SS



DIMENSIONS(mm/in)					
SIZE	A $\pm_{0.012}^{0.30}$	B $\pm_{0.020}^{0.50}$	C $\pm_{0.010}^{0.25}$	D $\pm_{0.051}^{1.3}$	E
9	41.3	15.4	24.99	32.2	13.0
	1.626	0.606	0.984	1.268	0.512
15	43.3	15.4	33.32	40.6	13.0
	1.705	0.606	1.312	1.598	0.512
25	49.5	15.4	47.04	54.5	13.0
	1.949	0.606	1.852	2.146	0.512
37	54.3	15.4	63.50	70.7	13.0
	2.138	0.606	2.500	2.783	0.512

ORDERING INFORMATION: WITH "MH" LOGO

SIZE	P/N - KITTED	PRODUCT CODE
9-WAY	6560-0136-01	MHDM9-K
15-WAY	6560-0136-02	MHDM15-K
25-WAY	6560-0136-03	MHDM25-K

ORDERING INFORMATION: WITHOUT "MH" LOGO

SIZE	P/N - KITTED	PRODUCT CODE
9-WAY	6560-0136-01	MHDM9-NL-K
15-WAY	6560-0136-02	MHDM15-NL-K
25-WAY	6560-0136-03	MHDM25-NL-K
37-WAY	6560-0136-04	MHDM37-K

NOTE: SIZE 37 WAY ONLY HAS NON-LOGO .

BACKSHELL MATERIAL:
PLATING:
GROMMET:
COLOR
SCREW:
CLAMP:
OPERATING TEMP:

DIE CAST ZINC ALLOY
NICKEL PLATED
THERMOPLASTIC ABS
NATURAL NICKEL PLATED
STEEL, ZINC PLATED
STEEL, SHEET, NICKEL PLATED
-40°C TO +120°C

THESE DRAWINGS AND SPECIFICATIONS ARE THE PROPERTY OF MH CONNECTORS AND SHALL NOT BE REPRODUCED, COPIED OR USED AS THE BASIS FOR THE MANUFACTURE OR SALE OF APPARATUS WITHOUT WRITTEN PERMISSION.

DRAWN Johnny	DATE 11-24-15
APPROVED Victor Lin	DATE 11-24-15



THIS SERIES FULLY CONFORMS TO THE EUROPEAN UNION DIRECTIVES 2002/95/EC AND 2002/96/EC FOR RoHS COMPLIANCY.



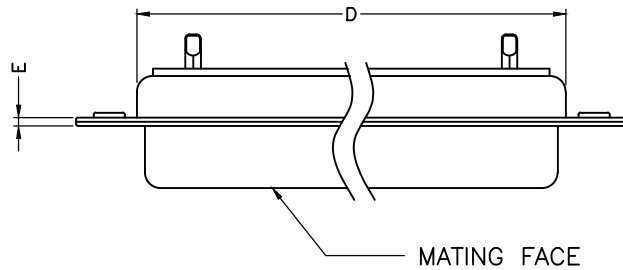
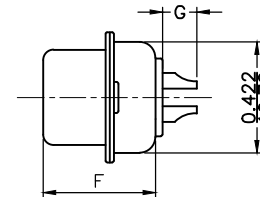
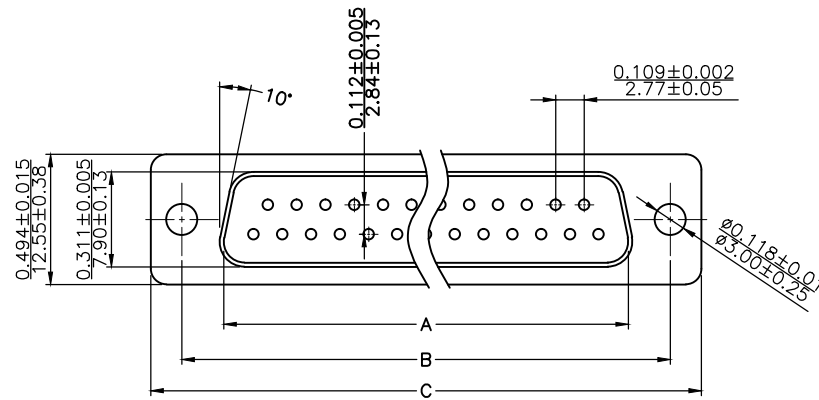
MH CONNECTORS ,
DIVISION OF EDAC

SCALE 1 : 1	SHEET OF 1 OF 1	REV: 4.0
DRAWING No MHDM-XX-K		

THIS IS A C. A. D. GENERATED DRAWING
DO NOT MAKE MANUAL REVISIONS TO MASTER.



* UNLESS OTHERWISE SPECIFIED TOLERANCES
ON DECIMAL IS: .XX ± 0.25
UNIT: MM



Material & Finish
Shell:
Steel
Nickel plated

Pin Contact:
Brass
Gold plated over nickel

Insulator:
PBT glass-fiber reinforced UL 94-V0

Number of contact:
9,15,25,37,50

Current rating: 5 amp

Contact Resistance: 30mΩ MAX

Dielectric strength:
1000V for one minute

Insulator resistance:
5000MΩ Min at 500V DC

Temperature: -55°C ~ 105°C

ITEM NO	A ±0.25	B ±0.13	C ±0.38	D ±0.25	E ±0.10	F ±0.13	G ±0.25
MHDM9SS	16.33(0.643)	24.99(0.984)	30.81(1.213)	19.28(0.759)	0.80(0.0315)	10.9(0.429)	3.80(0.150)
MHDM15SS	24.66(0.971)	33.32(1.312)	39.14(1.541)	27.51(1.083)	0.80(0.0315)	10.9(0.429)	3.80(0.150)
MHDM25SS	38.38(1.511)	47.04(1.852)	53.04(2.088)	41.30(1.625)	0.80(0.0315)	10.9(0.429)	3.80(0.150)
MHDM37SS	54.84(2.159)	63.50(2.500)	69.32(2.729)	57.71(2.272)	0.80(0.0315)	10.9(0.429)	3.80(0.150)
MHDM50SS	52.34(2.060)	61.11(2.406)	66.92(2.634)	55.30(2.177)	0.80(0.0315)	10.9(0.429)	3.80(0.150)

THESE DRAWINGS AND SPECIFICATIONS ARE THE PROPERTY OF MH CONNECTORS AND SHALL NOT BE REPRODUCED, COPIED OR USED AS THE BASIS FOR THE MANUFACTURE OR SALE OF APPARATUS WITHOUT WRITTEN PERMISSION.

DRAWN
Iven Ou
DATE
09-01-22

APPROVED
DATE

SCALE
1 : 1
SHEET OF
1 OF 1
REV:
5.0

DRAWING No
MHDM SS



THIS SERIES FULLY CONFORMS TO THE EUROPEAN UNION DIRECTIVES 2002/95/EC AND 2002/96/EC FOR RoHS COMPLIANCY.



MH CONNECTORS,
DIVISION OF EDAC