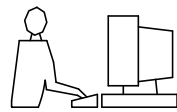


THIS IS A C.A.D. GENERATED DRAWING  
DO NOT MAKE MANUAL REVISIONS TO MASTER.

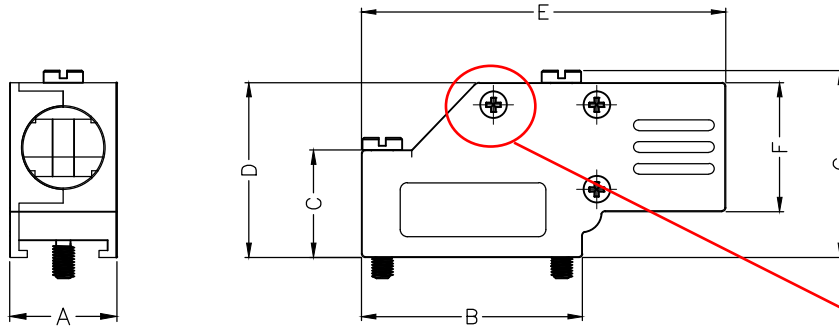


\* UNLESS OTHERWISE SPECIFIED TOLERANCES  
ON DECIMAL IS: ANGLE  $\pm 1^\circ$   
UNIT: MM .XX  $\pm 0.35$

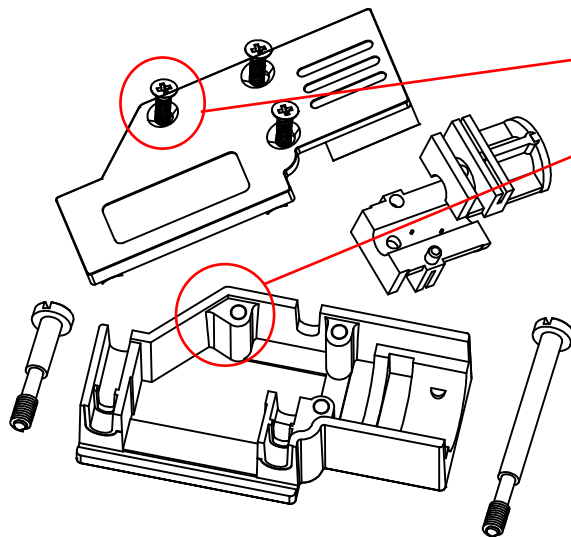
**BACKSHELL KIT INCLUDES:**

- (2)BACKSHELL HALVES
- (3)HOUSING SCREWS
- (1)4-40 LONG THUMBSCREWS
- (1)4-40 SHORT THUMBSCREWS
- (1)SET OF COMPRESSION INSERTS-VARIOUS SIZES  
DIAMETERS 4mm(.157"), 5mm(.167"), 7mm(.276"), 9mm(.354")

**MHDCMR9-DM9S-K=MHDCMR9-RA-K + MHDM9SS**  
**MHDCMR25-DM25S-K=MHDCMR25-RA-K + MHDM25SS**



DIMENSIONS(mm/in)							
SIZE	A $\pm 0.047$	B $\pm 0.047$	C $\pm 0.031$	D $\pm 0.031$	E $\pm 0.031$	F $\pm 0.031$	G $\pm 0.031$
9	15.0	30.8	15.0	24.4	50.8	18.0	26.2
	0.59	1.21	0.59	0.96	2.0	0.71	1.03
25	15.8	53.3	23.1	34.5	72.4	24.3	36.6
	0.62	2.10	0.91	1.36	2.85	0.96	1.44



说明：图上是9pin的外观和结构，25pin的结构有些差异，比如螺丝孔位置也不一样。

Note: The picture as left is for size 9 pin, size 25pin has some difference, such as the position of screw hole.

**ORDERING INFORMATON:**

SIZE	P/N - KITTED	PRODUCT CODE
9-WAY	6560-0501-01	MHDCMR9-RA-K
25-WAY	6560-0501-03	MHDCMR25-RA-K

BACKSHELL: MATERIAL: DIE CAST ZINC ALLOY  
PLATING: NICKEL PLATED  
4-40 THUMBSCREWS: STEEL-Zn PLATED  
HOUSING SCREWS: STEEL-Zn PLATED  
COMPRESSION INSERT: ABS,UL RECOGNIZED  
OPERATING TEMP: -40°C TO+120°C

THESE DRAWINGS AND SPECIFICATIONS ARE THE PROPERTY OF MH CONNECTORS AND SHALL NOT BE REPRODUCED, COPIED OR USED AS THE BASIS FOR THE MANUFACTURE OR SALE OF APPARATUS WITHOUT WRITTEN PERMISSION.

DRAWN: JQHNNY  
DATE: 11-24-15

APPROVED: Victor Lin  
DATE: 11-24-15

SCALE: 1 : 1  
SHEET OF: 1 OF 1  
REV: 4.0

DRAWING No: MHDCMR-XX-RA-K



THIS SERIES FULLY CONFORMS TO THE EUROPEAN UNION DIRECTIVES 2002/95/EC AND 2002/96/EC FOR RoHS COMPLIANCY.

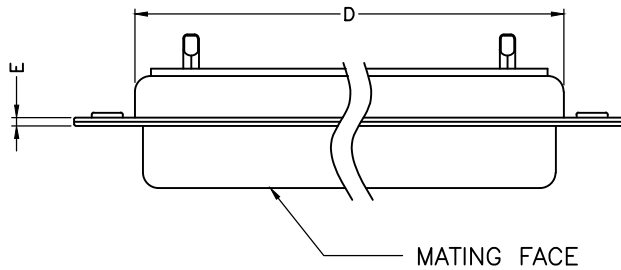
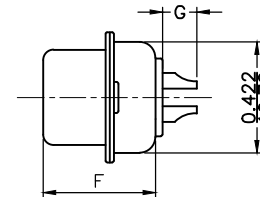
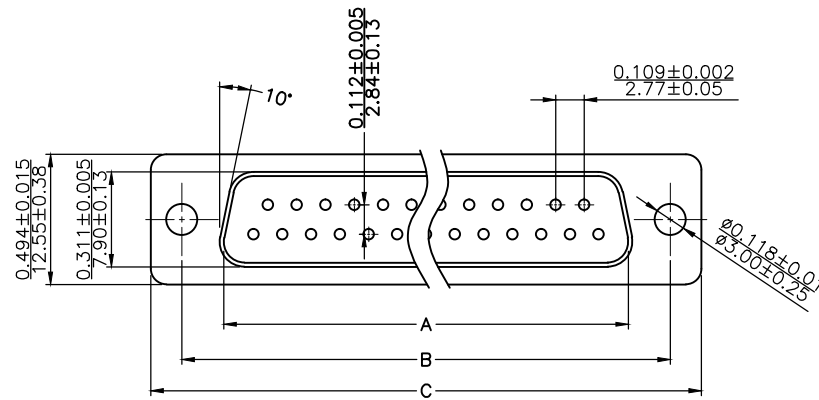


**MH CONNECTORS ,  
DIVISION OF EDAC**

THIS IS A C. A. D. GENERATED DRAWING  
DO NOT MAKE MANUAL REVISIONS TO MASTER.



\* UNLESS OTHERWISE SPECIFIED TOLERANCES  
ON DECIMAL IS: .XX ± 0.25  
UNIT: MM



Material & Finish  
Shell:  
Steel  
Nickel plated

Pin Contact:  
Brass  
Gold plated over nickel

Insulator:  
PBT glass-fiber reinforced UL 94-V0

Number of contact:  
9,15,25,37,50

Current rating: 5 amp

Contact Resistance: 30mΩ MAX

Dielectric strength:  
1000V for one minute

Insulator resistance:  
5000MΩ Min at 500V DC

Temperature: -55°C ~ 105°C

ITEM NO	A ±0.25	B ±0.13	C ±0.38	D ±0.25	E ±0.10	F ±0.13	G ±0.25
MHDM9SS	16.33(0.643)	24.99(0.984)	30.81(1.213)	19.28(0.759)	0.80(0.0315)	10.9(0.429)	3.80(0.150)
MHDM15SS	24.66(0.971)	33.32(1.312)	39.14(1.541)	27.51(1.083)	0.80(0.0315)	10.9(0.429)	3.80(0.150)
MHDM25SS	38.38(1.511)	47.04(1.852)	53.04(2.088)	41.30(1.625)	0.80(0.0315)	10.9(0.429)	3.80(0.150)
MHDM37SS	54.84(2.159)	63.50(2.500)	69.32(2.729)	57.71(2.272)	0.80(0.0315)	10.9(0.429)	3.80(0.150)
MHDM50SS	52.34(2.060)	61.11(2.406)	66.92(2.634)	55.30(2.177)	0.80(0.0315)	10.9(0.429)	3.80(0.150)

THESE DRAWINGS AND SPECIFICATIONS ARE THE PROPERTY OF MH CONNECTORS AND SHALL NOT BE REPRODUCED, COPIED OR USED AS THE BASIS FOR THE MANUFACTURE OR SALE OF APPARATUS WITHOUT WRITTEN PERMISSION.

DRAWN  
Iven Ou  
DATE  
09-01-22

APPROVED  
DATE

SCALE  
1 : 1  
SHEET OF  
1 OF 1  
REV:  
5.0

DRAWING No  
MHDM SS



THIS SERIES FULLY CONFORMS TO THE EUROPEAN UNION DIRECTIVES 2002/95/EC AND 2002/96/EC FOR RoHS COMPLIANCY.



MH CONNECTORS,  
DIVISION OF EDAC