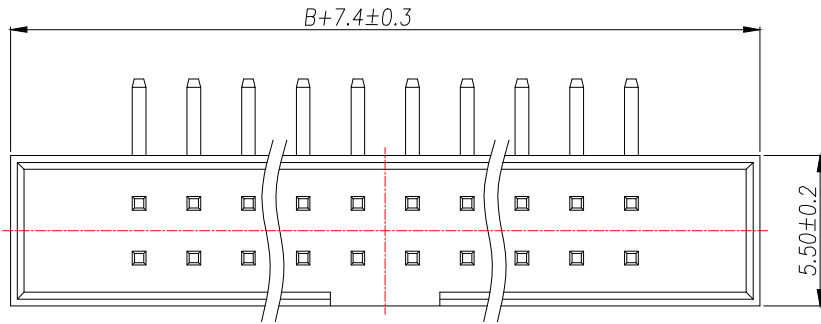
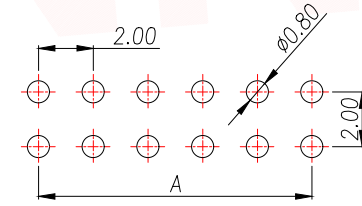
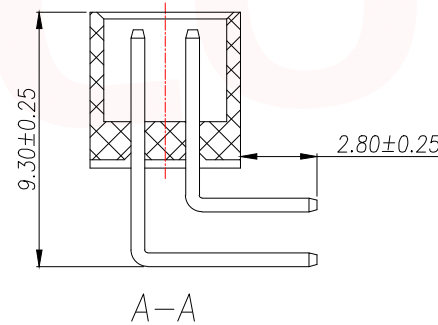
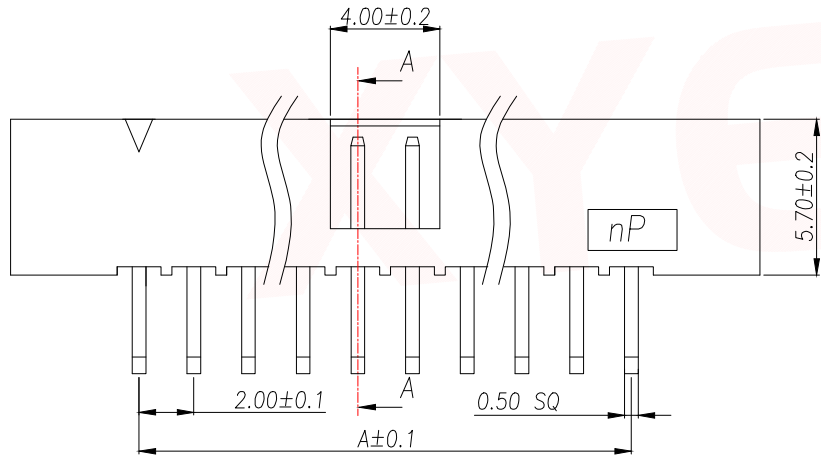


REV.	Q'TY	ECN. NO.	APR.	DATE



SPECIFICATIONS

Current Rating: 1.5 Amps
 Insulation Resistance: 1000MΩ, Min
 Contact Resistance: 20mΩ, Max
 Withstanding Voltage: AC 500V
 Operation Temperature: -40° to +105°
 Contact Material: Brass
 Standard: PA6T
 Insulator Material: Polyester (UL 94V-0)
 Contact Plating: Gold Flash
 Max. Processing Temp: 240°C for 30-60 seconds
 (260°C for 5 seconds)



RECOMMEND P.C.B LAYOUT
 PCB TOLERANCE: ±0.05 (TOP VIEW)

Part No	Pin	A	B	Part No	Pin	A	B	Part No	Pin	A	B	Part No	Pin	A	B
IDC2.0-UD2S-3A	3	4.00	6.00	IDC2.0-UD2S-12A	12	22.00	24.00	IDC2.0-UD2S-21A	21	40.00	42.00	IDC2.0-UD2S-30A	30	58.00	60.00
IDC2.0-UD2S-4A	4	6.00	8.00	IDC2.0-UD2S-13A	13	24.00	26.00	IDC2.0-UD2S-22A	22	42.00	44.00	IDC2.0-UD2S-31A	31	60.00	62.00
IDC2.0-UD2S-5A	5	8.00	10.00	IDC2.0-UD2S-14A	14	26.00	28.00	IDC2.0-UD2S-23A	23	44.00	46.00	IDC2.0-UD2S-32A	32	62.00	64.00
IDC2.0-UD2S-6A	6	10.00	12.00	IDC2.0-UD2S-15A	15	28.00	30.00	IDC2.0-UD2S-24A	24	46.00	48.00	IDC2.0-UD2S-33A	33	64.00	66.00
IDC2.0-UD2S-7A	7	12.00	14.00	IDC2.0-UD2S-16A	16	30.00	32.00	IDC2.0-UD2S-25A	25	48.00	50.00	IDC2.0-UD2S-34A	34	66.00	68.00
IDC2.0-UD2S-8A	8	14.00	16.00	IDC2.0-UD2S-17A	17	32.00	34.00	IDC2.0-UD2S-26A	26	50.00	52.00	IDC2.0-UD2S-35A	35	68.00	70.00
IDC2.0-UD2S-9A	9	16.00	18.00	IDC2.0-UD2S-18A	18	34.00	36.00	IDC2.0-UD2S-27A	27	52.00	54.00				
IDC2.0-UD2S-10A	10	18.00	20.00	IDC2.0-UD2S-19A	19	36.00	38.00	IDC2.0-UD2S-28A	28	54.00	56.00				
IDC2.0-UD2S-11A	11	20.00	22.00	IDC2.0-UD2S-20A	20	38.00	40.00	IDC2.0-UD2S-29A	29	56.00	58.00				

DIMENSION IN mm		TOLERANCE UNLESS OTHERWISE SPECIFIED		APR. Alex		TITLE: 2.0IDC-nPin H5.7 90° PC2.8 PB9.3 L10.5/14.5 6T	
.X±0.35	X.*±5°	CHK. Jack		DRA. Can		DWG NO. IDC2.0-UD2S-NA	
.XX±0.25	.X.*±3°	PROJ.		CUSTOMER DRAWING		SHEET 1/1	
.XXX±0.15	.XX.*±1°	SIZE A4	SCALE 1:1	SHEET 1/1	REV. A	F	