



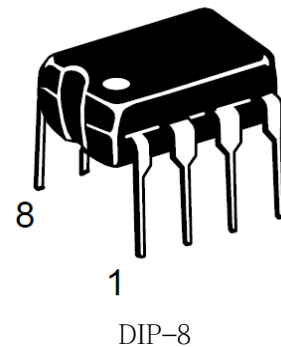
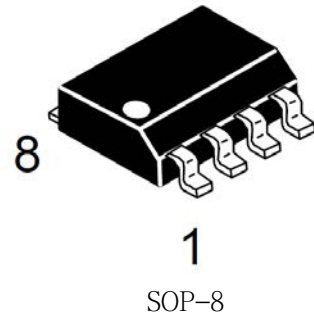
概述:

LM2904是由两个独立的高增益运算放大器组成。可以是单电源工作，也可以是双电源工作，电源的功耗电流与电源电压大小无关。应用范围包括音频放大器、工业控制、DC 增益部件和所有常规运算放大电路。

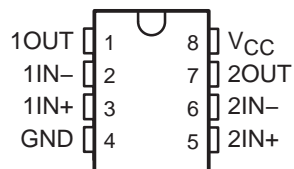
采用 DIP-8 或 SOP-8 封装形式。

主要特点:

- ◇ 可单电源或双电源工作。
- ◇ 包含两个运算放大器。
- ◇ 逻辑电路匹配。
- ◇ 功耗小。
- ◇ 频率范围宽。



功能框图和管脚排列图



极限值 (绝对最大额定值, 若无其它规定, T_{amb}=25°C)

参数名称	数值	单位
电源电压	24 或 ±12	V
差分输入电压	24	V
输入电压	-0.3 ~ 24	V
输出端对地短路电流 (1 放大器) (V _o ≤15V、T _a =25°C)	持续	
输入电流 (V _{IN} <-0.3V)	50	mA
工作环境温度	0 ~ 70	°C
贮存温度	-65 ~ 150	°C



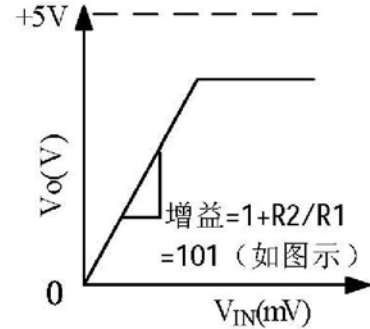
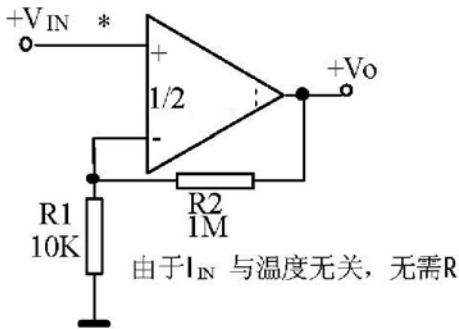
电特性 (若无其它规定, $V^+ = 5.0V$)

特性	测试条件		规范值			单位
			最小	典型	最大	
输入失调电压	Ta=25°C			2	5	mV
输入偏流	Ta=25°C, IIN(+)或 IIN (-), VCM=0V			45	150	nA
输入失调电流	Ta=25°C, IIN(+) - IIN (-), VCM=0V			3	30	nA
输入共模电压范围	Ta=25°C, V ⁺ =24V		0		V ⁺ -1.5	V
电源电流	在整个温度范围上, RL=∞在所有运算放大器上,		V ⁺ =24V	1	2	mA
			V ⁺ =5V	0.5	1.2	
大信号电压增益	V ⁺ =15V, Ta=25°C, RL≥2kΩ(对于 Vo=1~11V)		50	100		V/mV
共模抑制比	DC, Ta=25°C, VCM=0~V ⁺ -1.5V		65	90		dB
电源抑制比	DC, Ta=25°C, V ⁺ =5~24V		65	100		dB
放大器之间的耦合系数	Ta=25°C, f=1~20kHz(所有的输入)			-120		dB
输出源电流	VIN(+)=1V, VIN(-)=0V, V ⁺ =15V, Vo=2V, Ta=25°C		20	40		mA
输出吸电流	VIN(-)=1V, VIN(+)=0V, V ⁺ =15V, Vo=2V, Ta=25°C		10	20		mA
	VIN(-)=1V, VIN(+)=0V, V ⁺ =15V, Vo=200mV, Ta=25°C		12	50		μA
对地短路电流	V ⁺ =15V, Ta=25°C			40	60	mA
输入失调电压					7	mV
输入失调电压漂移	Rs=0Ω			7		μV/°C
输入失调电流	IIN(+) - IIN (-)				100	nA
输入失调电流漂移	Rs=0Ω			10		pA/°C
输入偏置电流	IIN(+)或 IIN (-)			40	300	nA
输入共模电压范围	V ⁺ =24V		0		V ⁺ -2	V
大信号电压增益	V ⁺ =15V, (Vo=1~11V), RL≥2kΩ		25			V/mV
输出电压摆幅	VOH	V ⁺ =24V	RL=2kΩ	20		V
			RL=10kΩ	21	22	V
	VOL	V ⁺ =5V, RL=10kΩ		5	20	mV
输出电流	VIN(+)=1V, VIN(-)=0V, V ⁺ =15V, Vo=2V		10	20		mA
	VIN(-)=1V, VIN(+)=0V, V ⁺ =15V, Vo=2V		5	8		mA



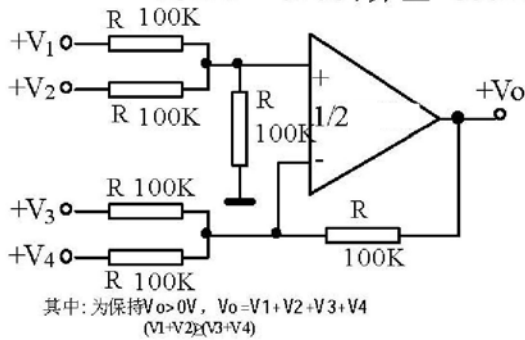
典型应用

同相直流增益 (0V输入=0V输出)

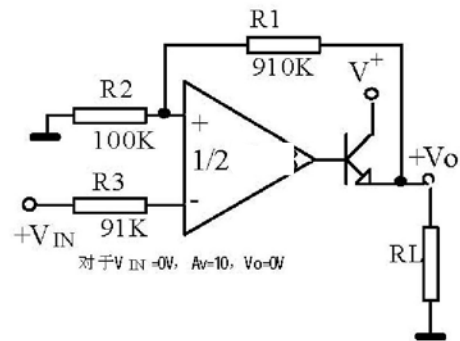


直流求和放大器

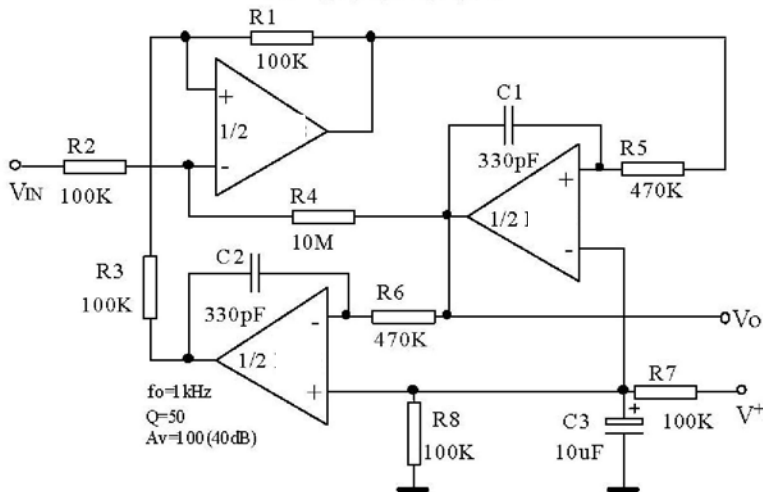
($V_{INs} \geq 0V$, 并且 $V_o \geq 0V$)



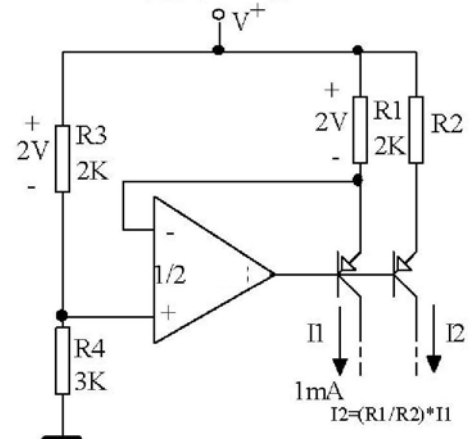
功率放大器



RC 有源带通滤波器

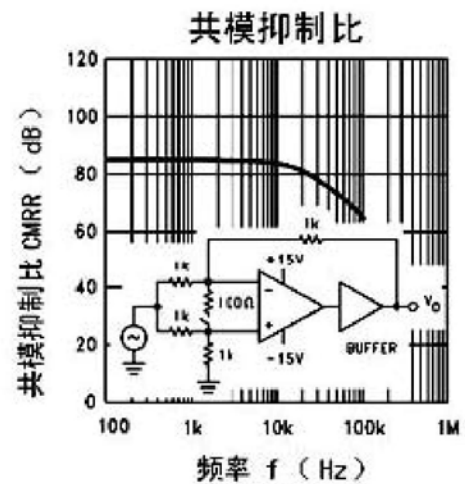
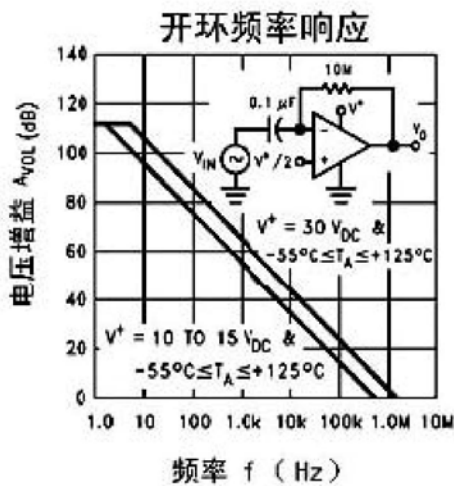
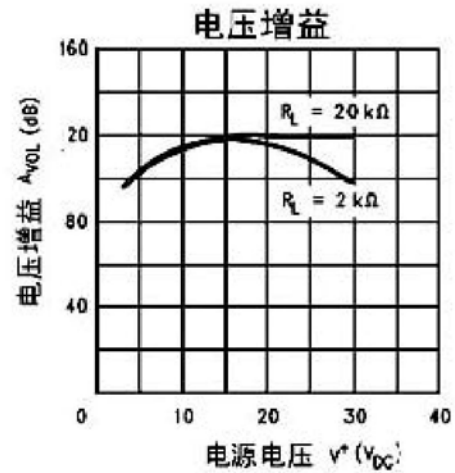
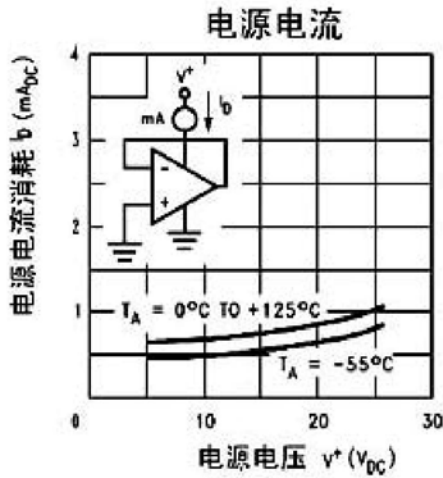
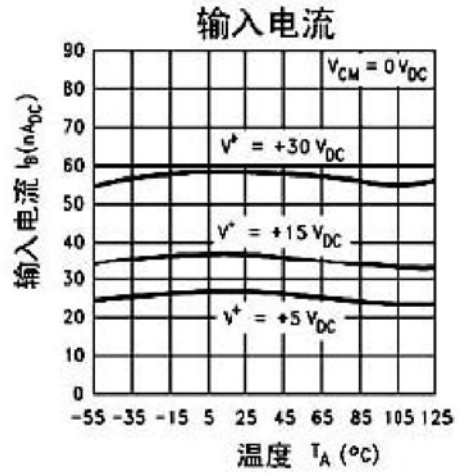
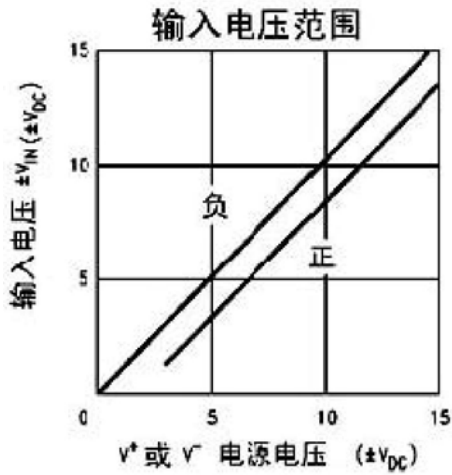


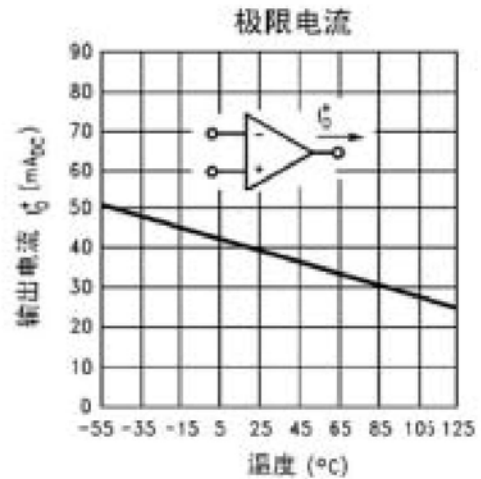
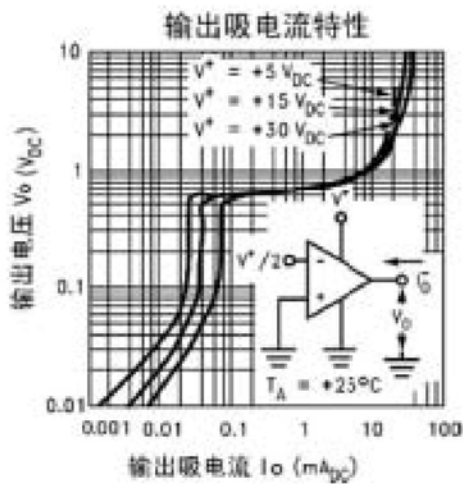
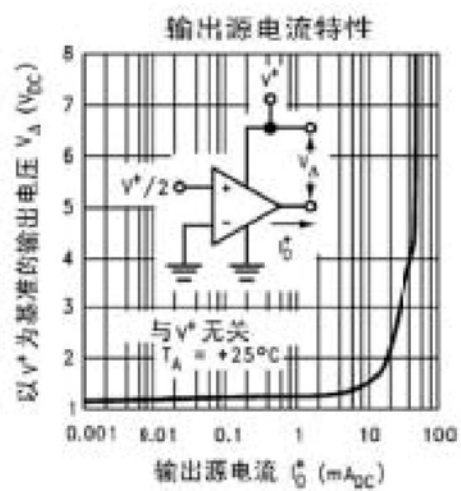
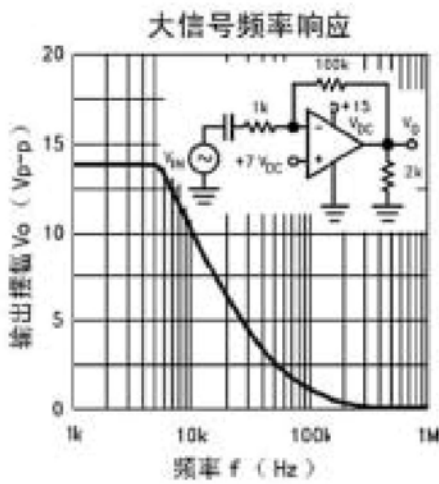
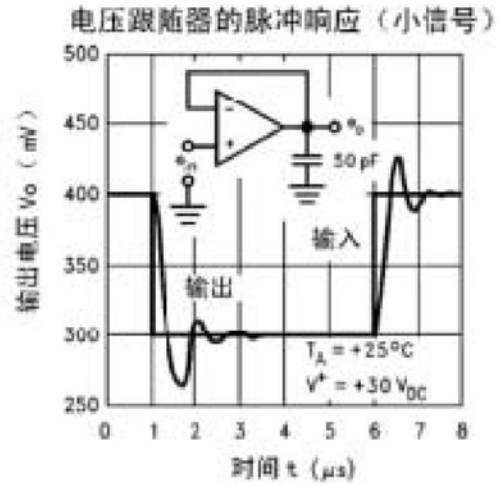
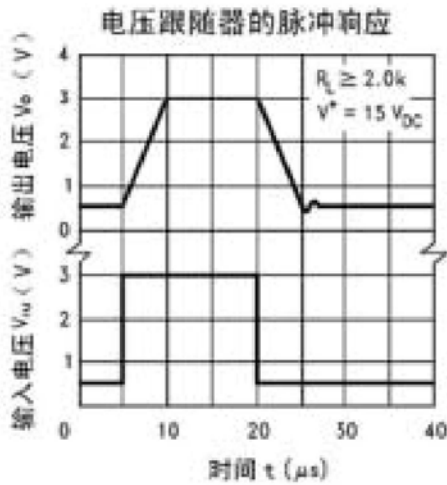
固定电流源





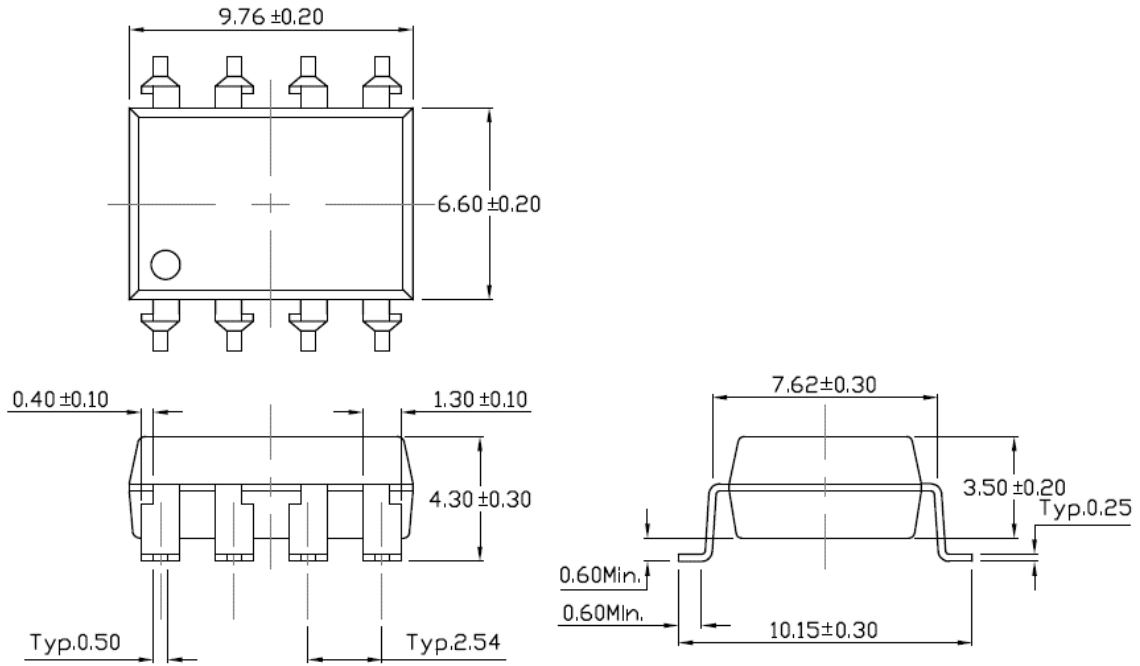
典型特性曲线



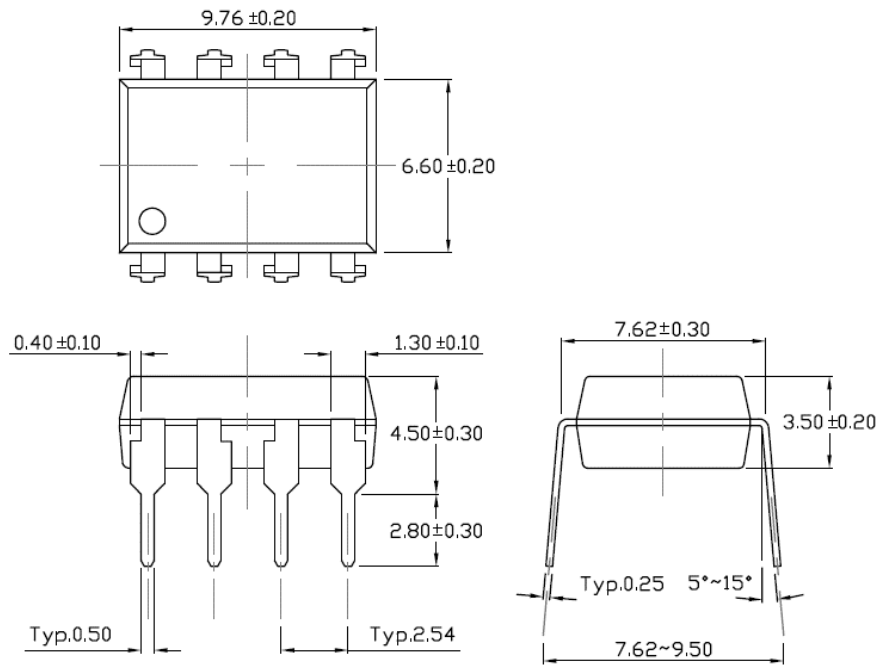




SOP-8



DIP-8





Attention

- Any and all HUA XUAN YANG ELECTRONICS products described or contained herein do not have specifications that can handle applications that require extremely high levels of reliability, such as life-support systems, aircraft's control systems, or other applications whose failure can be reasonably expected to result in serious physical and/or material damage. Consult with your HUA XUAN YANG ELECTRONICS representative nearest you before using any HUA XUAN YANG ELECTRONICS products described or contained herein in such applications.
- HUA XUAN YANG ELECTRONICS assumes no responsibility for equipment failures that result from using products at values that exceed, even momentarily, rated values (such as maximum ratings, operating condition ranges, or other parameters) listed in products specifications of any and all HUA XUAN YANG ELECTRONICS products described or contained herein.
- Specifications of any and all HUA XUAN YANG ELECTRONICS products described or contained herein stipulate the performance, characteristics, and functions of the described products in the independent state, and are not guarantees of the performance, characteristics, and functions of the described products as mounted in the customer's products or equipment. To verify symptoms and states that cannot be evaluated in an independent device, the customer should always evaluate and test devices mounted in the customer's products or equipment.
- HUA XUAN YANG ELECTRONICS CO.,LTD. strives to supply high-quality high-reliability products. However, any and all semiconductor products fail with some probability. It is possible that these probabilistic failures could give rise to accidents or events that could endanger human lives, that could give rise to smoke or fire, or that could cause damage to other property. When designing equipment, adopt safety measures so that these kinds of accidents or events cannot occur. Such measures include but are not limited to protective circuits and error prevention circuits for safe design, redundant design, and structural design.
- In the event that any or all HUA XUAN YANG ELECTRONICS products(including technical data, services) described or contained herein are controlled under any of applicable local export control laws and regulations, such products must not be exported without obtaining the export license from the authorities concerned in accordance with the above law.
- No part of this publication may be reproduced or transmitted in any form or by any means, electronic or mechanical, including photocopying and recording, or any information storage or retrieval system, or otherwise, without the prior written permission of HUA XUAN YANG ELECTRONICS CO.,LTD.
- Information (including circuit diagrams and circuit parameters) herein is for example only ; it is not guaranteed for volume production. HUA XUAN YANG ELECTRONICS believes information herein is accurate and reliable, but no guarantees are made or implied regarding its use or any infringements of intellectual property rights or other rights of third parties.
- Any and all information described or contained herein are subject to change without notice due to product/technology improvement, etc. When designing equipment, refer to the "Delivery Specification" for the HUA XUAN YANG ELECTRONICS product that you intend to use.