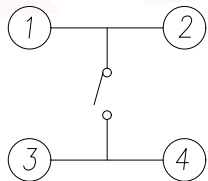
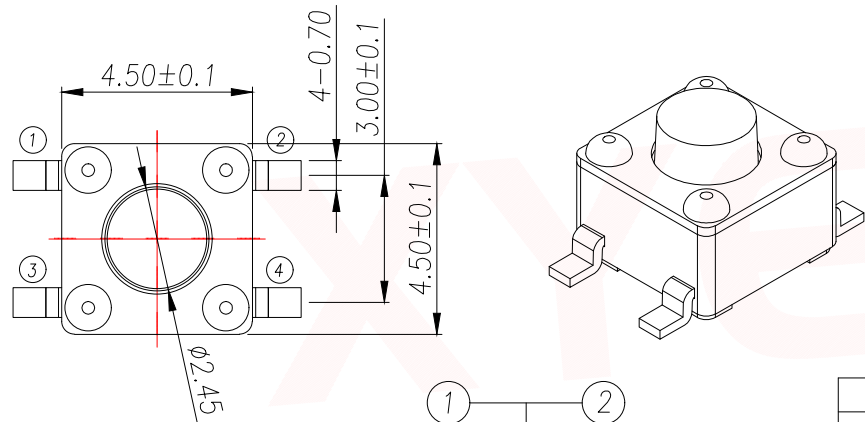
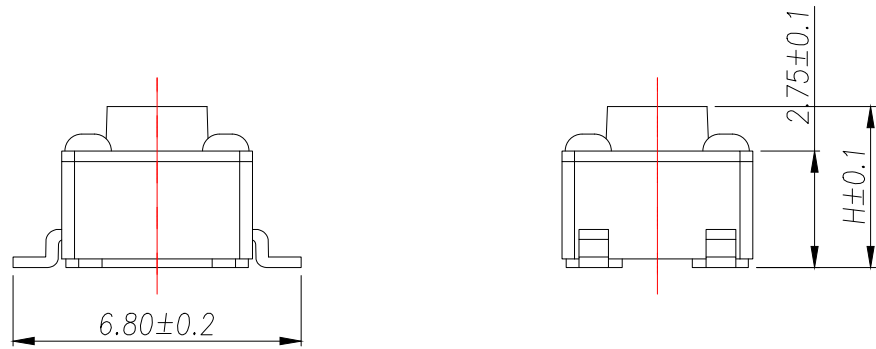
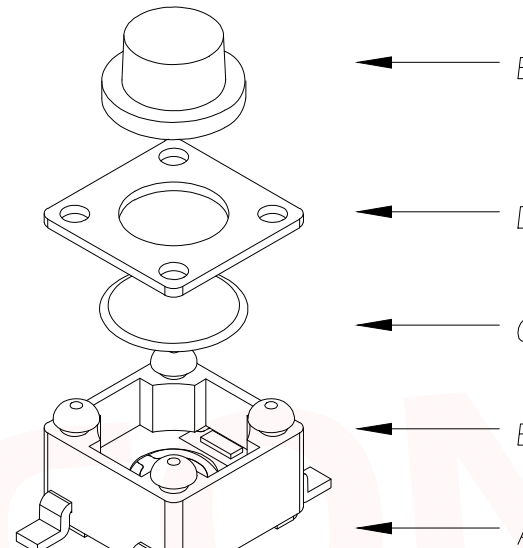


REV.	Q'TY	ECN. NO.	APR.	DATE



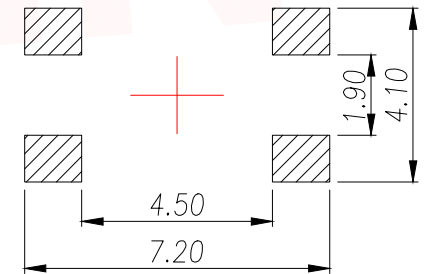
CIRCUIT DIAGRAM

ITEM	DESCRIPTION	MATERIAL	QTY	FINSH/COLOR
E	按钮	PPA	1	黑色
D	盖板	铁盖板	1	镀铜锡
C	弹片	不锈钢	1	镀银
B	本体	PPA	1	黑色
A	卡件	黄铜	1	镀银



The Main Thchnology Performance

Rate voltage,current	50mA DC12V
Contact resistance	≤100mΩ
Operating force	±30gf
Travel	0.20±0.10mm
Insulated resistance	≥100MΩ
Dielectric strength	≥250VAC/1min



PCB.WELDING DRAWING

T S O 1 0 - T B W 1

力度: F: 250G E: 180G
 高度: H3.5 H3.8

H	H	H
3.5	5.5	8.0
3.8	6.0	8.5
4.3	6.5	9.0
4.5	7.0	9.5
5.0	7.5	10.0

DIMENSION IN mm	
TOLERANCE UNLESS OTHERWISE SPECIFIED	
.X±0.35	.X*± 5*
.XX±0.25	.X*± 3*
.XXX±0.15	.XX*± 1*

厦门市辛译精密电子有限公司
 Xiamen XinYi Xyecomm Electronics Co.,Ltd

APR. Alex	TITLE: 4.5x4.5 SMD TACT SWITCH
CHK. Jack	DWG NO. TS010-TBW1EHX
DRA. Can	PROJ. CUSTOMER DRAWING
SIZE A4	SCALE 1:1 SHEET 1/1 REV. A