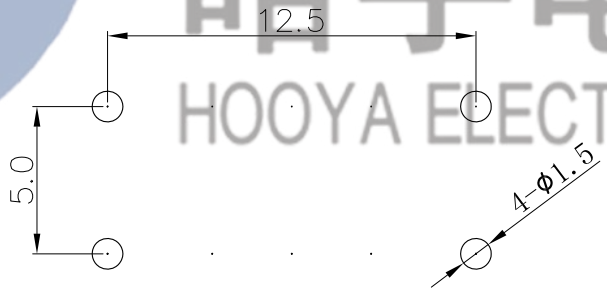
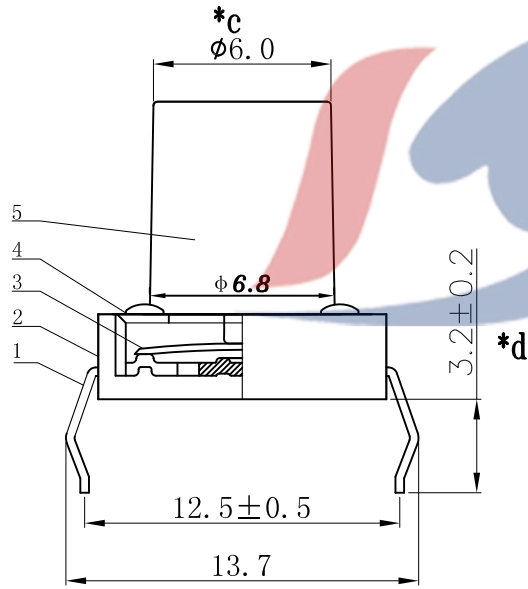


SCHEMATIC



P.C.B LAYOUT

H=7.0mm

SPECIFICATION

1. Rating : DC12V 50mA.
2. Contact resistance: ≤100mΩ.
3. Insulation resistance: ≥100MΩ (DC100V).
4. Withstanding voltage: 250VAC .
5. Operating Force: 160±50gf/250±80gf
6. Travel: 0.3±0.1mm.
7. life test: 100,000 cycles.
8. Operation temperature range: -25℃~85℃.
9. Sign "*" is importance dimension.

					TOLERANCE UNLESS SPECIFIED						
					<1.5: ±0.1mm	ANGULAR	A1	2024.1.22	⚠ 材质变更/底座下四个角更正形状		TQF
					>1.5~5.0: ±0.25mm	±1°	NO	DATE	REVISIONS		BY
					>5.0: ±0.3mm						APPD
5	STEM	PA9T	1	BLACK	TITLE: TACT SWITCH			UNIT : MM	ROHS	DWN	
4	COVER	SPCC	1	TX-Plated	MODEL: TC-00121-070E			SCALE: 1:1	COMPLIANT	CHK'D	
3	CONTACT	SUS	1	Ag-Plated	DONGGUANG HAOYU ELECTRONICS CO., LTD 东莞市弘皓电子有限公司			APPD		PRO.AGL:	
2	CASE	PA9T	1	BLACK							
1	TERMINAL	BRASS	4	Ag-Plated	REV :A1						
NO.	PART	NAME	MATERIAL	QTY	FINISHING						