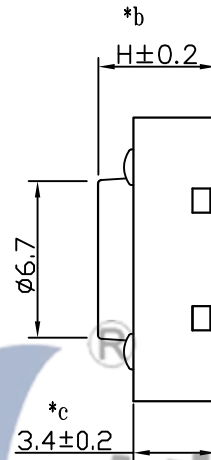
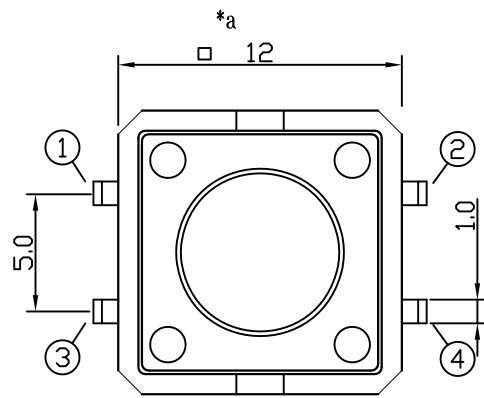


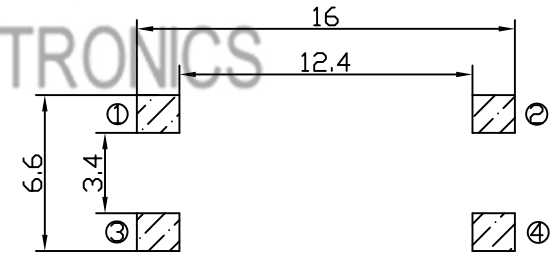
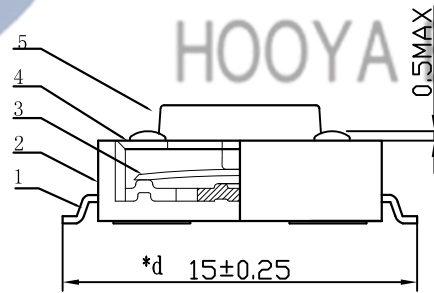
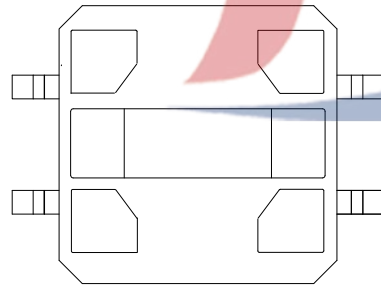
SCHEMATIC



SPECIFICATION

1. Rating : DC12V 50mA.
2. Contact resistance: $\leq 100\Omega$.
3. Insulation resistance: $\geq 100M\Omega$ (DC250V).
4. Withstanding voltage: 250VAC .
5. Operating Force: $250 \pm 80gf$
6. Travel: $0.25 \pm 0.1mm$.
7. life test: 5,0000 cycles.
8. Operation temperature range: $-25^{\circ}C \sim 85^{\circ}C$.
9. Sign"* "is importance dimension.

TEL:0769-82310510-867



P.C.B LAYOUT

H=5.0mm

				TOLERANCE UNLESS SPECIFIED							
				<1.5: ±0.1mm	ANGULAR	1					
				>1.5~5.0: ±0.25mm	±1°	NO	DATE	REVISIONS		BY	APPD
				>5.0: ±0.3mm							
5	STEM	PPA	1	BLACK	TITLE: SLIDE SWITCH		UNIT : MM	ROHS COMPLIANT	DWN		
4	COVER	SUS	1	WHITE	MODEL: TC-06121-050E-01		SCALE: 1:1		CHK'D		
3	CONTACT	SUS	1	Ag-Plated	DONGGUANG HAOYU ELECTRONICS CO., LTD				APPD		
2	CASE	PPA	1	BLACK	皓宇 HOOYA 东莞市弘皓电子有限公司				PRO.AGL:		REV :A1
1	TERMINAL	BRASS	4	Ag-Plated							
NO.	PART NAME	MATERIAL	QTY	FINISHING							