

General Description

The SN74AUP1G125 is a single Buffer with 3-State output from ultra low power series, which can operate from a 0.8V to 3.6V supply. This device is fabricated with advanced CMOS technology to achieve ultra-high speed with high output drive.

Features

- Designed for 0.8V to 3.6V VCC Operation
- Low static power consumption; ICC = 0.7µA (maximum)
- 4mA Balanced Output Sink and Source Capability
- Near Zero Static Supply Current Substantially Reduces System Power Requirements ● These Devices are Pb-Free and are RoHS Compliant
- Packages are SC70-5, SOT23-5 or small DFN6
- MSL3(SC70-5, SOT23-5, DFN6)

Pin Configuration

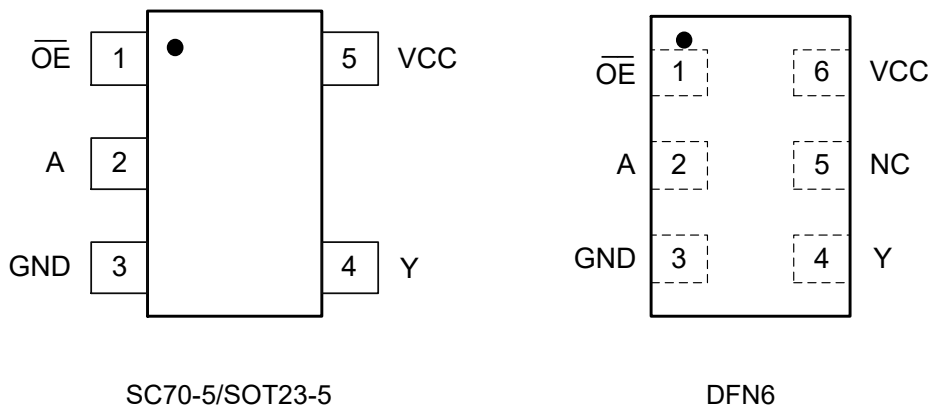


Figure1. (Top View)

Pin Function

Pin No.		Pin Name	Function
SC70-5	DFN6		
1	1	\overline{OE}	Enable input
2	2	A	Input
3	3	GND	Ground
4	4	Y	Output
/	5	NC	No connect
5	6	VCC	Supply Voltage

Block Diagram

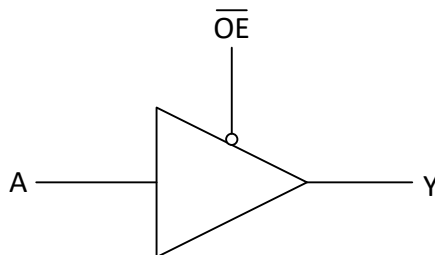


Figure2.

Functional Description

Function Table

Input		Output
\overline{OE}	A	Y
L	L	L
L	H	H
H	X	Z

Absolute Maximum Ratings

Symbol	Parameter		Value	Unit
V _{CC}	DC Supply Voltage		-0.5 to 4.6	V
V _I	DC Input Voltage		-0.5 ≤ V _I ≤ +4.6	V
V _O	DC Output Voltage Output in Higher or Low State ⁽¹⁾		-0.5 to 4.6	V
I _{IK}	DC Input Diode Current	V _I < GND	-50	mA
I _{OK}	DC Output Diode Current	V _O < GND, V _O > V _{CC}	±50	mA
I _O	DC Output Sink Current		±20	mA
I _{CC}	DC Supply Current per Supply Pin		±50	mA
I _{GND}	DC Ground Current per Supply Pin		±50	mA
T _{STG}	Storage Temperature Range		-65 to 150	°C
T _L	Lead Temperature, Soldering 10 Seconds		260	°C
T _J	Max Junction Temperature		150	°C
V _{ESD}	ESD Classification	Human Body Model ⁽²⁾	±4000	V
		Charged Device Model ⁽³⁾	±1000	
I _{LU}	Max Latch up Current Above V _{CC} and GND at 125°C ⁽⁴⁾		±100	mA

Stresses exceeding those listed in the Maximum Ratings table may damage the device. If any of these limits are exceeded, device functionality should not be assumed, damage may occur and reliability may be affected.

Thermal Characteristics

Symbol	Package	Ratings	Value	Unit
R _{θJA}	SC70-5	Thermal Characteristics, Thermal Resistance, Junction-to-Air	300	°C/W
	SOT23-5		250	
	DFN6(1×1.5)		440	
P _D	SC70-5	Power Dissipation in Still Air at 85°C	215	mW
	SOT23-5		260	
	DFN6(1×1.5)		150	

Recommended Operating Conditions

Symbol	Parameter		Min	Max	Unit
V _{CC}	DC Supply Voltage Operating		0.8	3.6	V
V _{IN}	DC Input Voltage		0	3.6	V
V _{OUT}	DC Output Voltage (High or Low State)		0	3.6	V
T _A	Operating Temperature Range		-40	85	°C
t _r , t _f	Input Rise and Fall Time	V _{CC} = 0.8V to 3.6V	0	20	ns/V

Functional operation above the stresses listed in the Recommended Operating Ranges is not implied.

Electrical Characteristics
DC Electrical Characteristics

Symbol	Parameter	Condition	V _{CC} (V)	T _A = 25°C			-40°C ≤ T _A ≤ 85°C		Unit
				Min	Typ	Max	Min	Max	
V _{IH}	High-Level Input Voltage		0.8	0.75V _{CC}			0.75V _{CC}		V
			0.9~1.95	0.7V _{CC}			0.7V _{CC}		
			2.3~2.7	1.6			1.6		
			3.0~3.6	2.0			2.0		
V _{IL}	Low-Level Input Voltage		0.8			0.25V _{CC}		0.25V _{CC}	V
			0.9~1.95			0.3V _{CC}		0.3V _{CC}	
			2.3~2.7			0.7		0.7	
			3.0~3.6			0.9		0.9	
V _{OH}	High-Level Output Voltage	I _{OH} = -20μA	0.8~3.6	V _{CC} -0.1			V _{CC} -0.1		V
		I _{OH} = -1.1mA	1.1	0.82	1.02		0.77		
		I _{OH} = -1.7mA	1.4	1.11	1.32		1.03		
		I _{OH} = -1.9mA	1.65	1.32	1.58		1.30		
		I _{OH} = -2.3mA	2.3	2.05	2.24		1.97		
		I _{OH} = -3.1mA		1.9	2.22		1.85		
		I _{OH} = -2.7mA	3.0	2.72	2.95		2.67		
		I _{OH} = -4.0mA		2.6	2.92		2.55		
V _{OL}	Low-Level Output Voltage	I _{OL} = 20μA	0.8~3.6			0.1		0.1	V
		I _{OL} = 1.1mA	1.1		0.11	0.33		0.33	
		I _{OL} = 1.7mA	1.4		0.12	0.31		0.37	
		I _{OL} = 1.9mA	1.65		0.11	0.31		0.35	
		I _{OL} = 2.3mA	2.3		0.14	0.31		0.33	
		I _{OL} = 3.1mA			0.19	0.44		0.45	
		I _{OL} = 2.7mA	3.0		0.11	0.31		0.33	
		I _{OL} = 4.0mA			0.16	0.44		0.45	
I _{IN}	Input Leakage Current	V _{IN} = V _{CC} or GND	0~3.6			±0.1		±0.2	μA
I _{OFF}	Power Off Leakage Current	V _{IN} = 3.6V or V _{OUT} = 3.6V	0			±0.2		±0.5	μA
I _{CC}	Quiescent Supply Current	V _{IN} = 3.6V or GND	3.6			±0.2		±0.7	μA
Δ I _{CC}	Additional Quiescent Supply Current	V _{IN} = 2.7V	3.3			60		90	μA

AC Electrical Characteristics

$t_r = t_f = 2.5\text{ns}$

Symbol	Parameter	Condition	V _{CC} (V)	T _A = 25°C			-40°C ≤ T _A ≤ 85°C		Unit
				Min	Typ	Max	Min	Max	
t _{PLH} t _{PHL}	Propagation Delay (Figure3 And 4)	C _L = 5 pF ⁽⁵⁾	0.8	13.2	29	90.1	11.9	220	ns
			1.2	5.0	7.6	14.3	4.6	14.4	
			1.5	3.4	4.8	8.9	3	9.6	
			1.8	2.7	3.6	6.9	2.3	7.6	
			2.5	1.9	2.4	5.1	1.6	5.6	
			3.3	1.5	1.9	4.4	1.3	4.8	
		C _L = 10 pF ⁽⁵⁾	0.8	14.3	31.3	97.9	12.8	239	ns
			1.2	5.4	8.3	15.3	5.0	15.3	
			1.5	3.7	5.2	9.5	3.2	10.2	
			1.8	2.9	3.9	7.4	2.5	8.1	
			2.5	2.0	2.6	5.4	1.7	6.0	
			3.3	1.6	2.0	4.6	1.3	5.1	
		C _L = 15 pF ⁽⁵⁾	0.8	15.3	32.5	106	13.8	259	ns
			1.2	5.8	8.9	16.3	5.3	16.3	
			1.5	4.0	5.6	10.1	3.5	10.9	
			1.8	3.1	4.2	7.8	2.6	8.6	
			2.5	2.1	2.8	5.8	1.8	6.4	
			3.3	1.7	2.2	4.9	1.4	5.4	
		C _L = 30 pF ⁽⁵⁾	0.8	18.3	37.5	130	16.6	323	ns
			1.2	7.0	10.7	19.3	6.4	19.3	
			1.5	4.8	6.9	12.0	4.2	12.9	
			1.8	3.7	5.1	9.2	3.2	10.2	
			2.5	2.6	3.5	6.7	2.2	7.5	
			3.3	2.0	2.2	5.6	1.7	6.3	

Note5. C_L includes probe and jig capacitance.

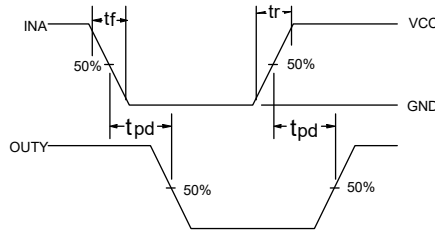
Capacitance Characteristics

Symbol	Parameter	Condition	Typical	Unit	
C _{IN}	Input Capacitance	V _{CC} = 3.6V, V _I = 0 V or V _{CC}	2	pF	
C _O	output capacitance	V _{CC} = 0V, V _{OUT} = GND	3	pF	
C _{PD}	Power Dissipation Capacitance ⁽⁶⁾	1 MHz, V _I = 0 V to V _{CC}	V _{CC} = 0.8V	7.6	pF
			V _{CC} = 1.2V	8.1	
			V _{CC} = 1.5V	8.5	
			V _{CC} = 1.8V	8.6	
			V _{CC} = 2.5V	9.0	
			V _{CC} = 3.3 V	9.6	

Note6. C_{PD} is defined as the value of the internal equivalent capacitance which is calculated from the

operating current consumption without load. Average operating current can be obtained by the equation:
 $I_{CC(OPR)} = C_{PD} \times V_{CC} \times f_{in} + I_{CC} \times C_{PD}$ is used to determine the no-load dynamic power consumption;
 $P_D = C_{PD} \times V_{CC}^2 \times f_{in} + I_{CC} \times V_{CC} \times Fig.$

AC Test Circuit



PROPAGATION DELAYS:
 $tR = tF = 2.5ns, 10\% \text{ to } 90\%; f = 1MHz;$

Figure3. Switch Waveform

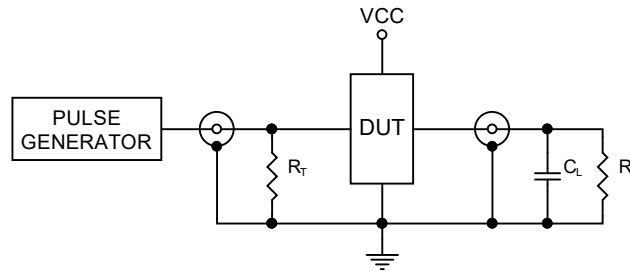


Figure4. Test Circuit $R_T = 50\Omega (typ)$

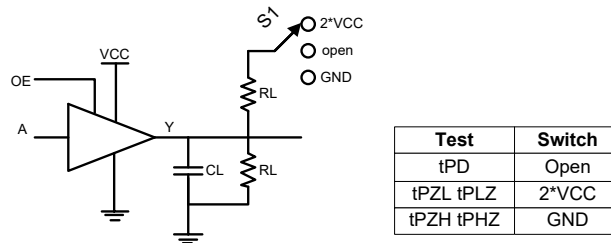


Figure5. Output Enable/Disable Time Test Circuit

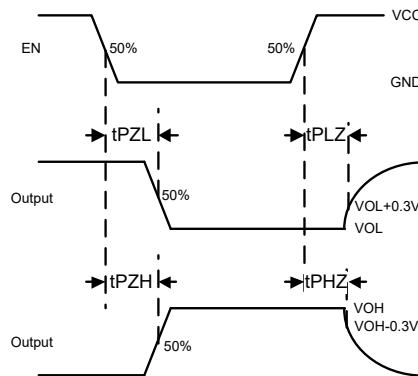
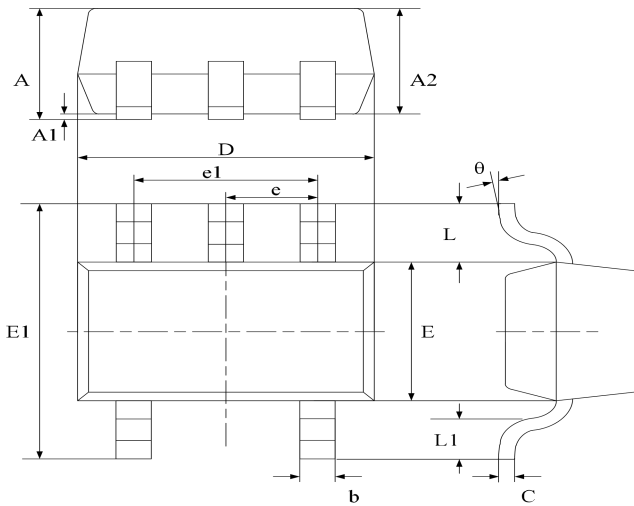


Figure6. Output Enable/Disable Waveform

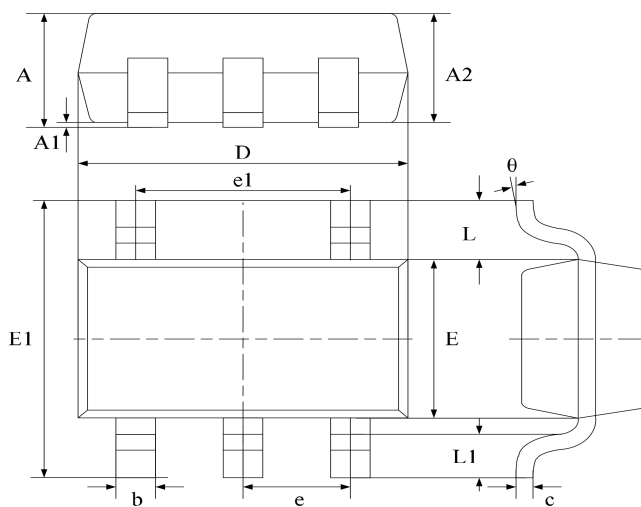
Package Dimension

SC70-5 (SOT353)



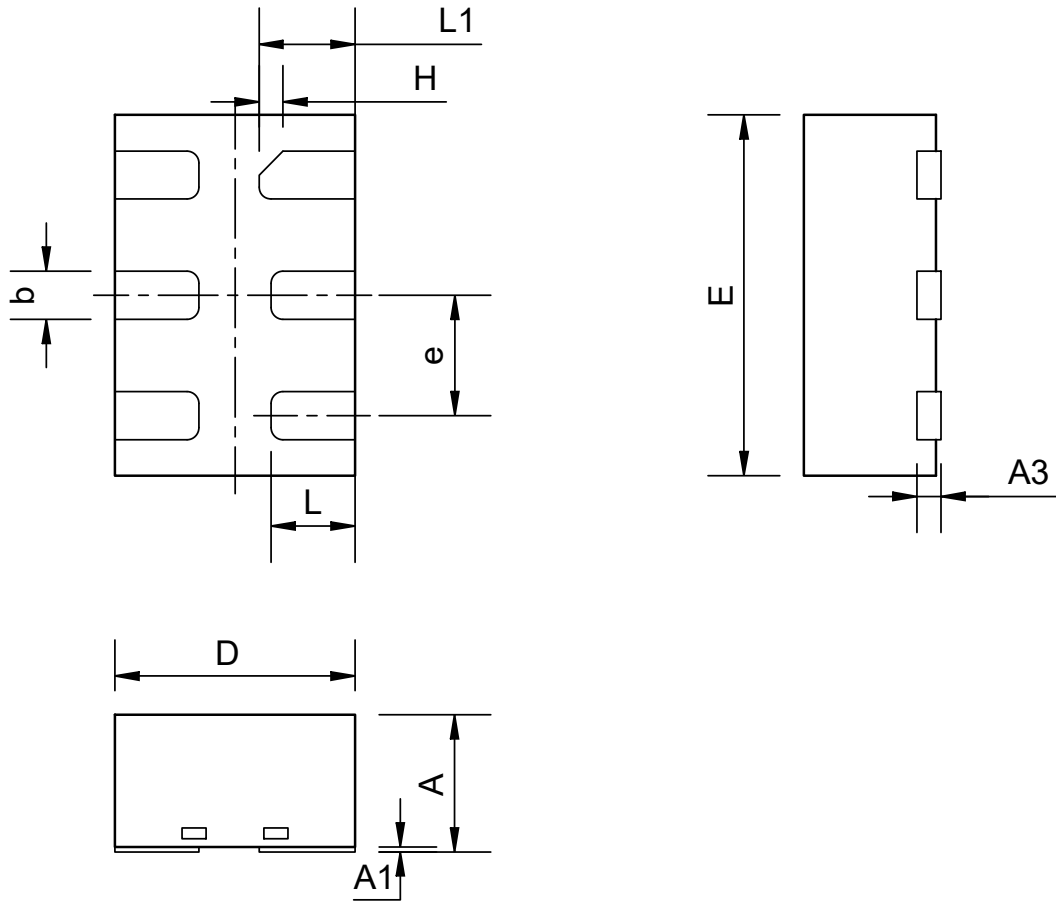
Symbol	Dimensions In Millimeters		Dimensions In Inches	
	Min	Max	Min	Max
A	0.800	1.100	0.035	0.043
A1	0.000	0.100	0.000	0.004
A2	0.800	0.900	0.035	0.039
b	0.150	0.350	0.006	0.014
C	0.080	0.150	0.003	0.006
D	1.8500	2.150	0.079	0.087
E	1.100	1.400	0.045	0.053
E1	1.950	2.200	0.085	0.096
e	0.850 typ.		0.026 typ.	
e1	1.200	1.400	0.047	0.055
L	0.42 ref.		0.021 ref.	
L1	0.260	0.460	0.010	0.018
theta	0°	8°	0°	8°

SOT23-5



Symbol	Dimensions In Millimeters		Dimensions In Inches	
	Min	Max	Min	Max
A	1.040	1.350	0.042	0.055
A1	0.040	0.150	0.002	0.006
A2	1.000	1.200	0.041	0.049
b	0.380	0.480	0.015	0.020
c	0.110	0.210	0.004	0.009
D	2.720	3.120	0.111	0.127
E	1.400	1.800	0.057	0.073
E1	2.600	3.000	0.106	0.122
e	0.950 typ.		0.037 typ.	
e1	1.900 typ.		0.078 typ.	
L	0.700 ref.		0.028 ref.	
L1	0.300	0.600	0.012	0.024
theta	0°	8°	0°	8°

DFN6(1.0×1.5)



COMMON DIMENSIONS
(UNITS OF MEASURE=MILLIMETER)

SYMBOL	MIN	NOM	MAX
A	0.50	--	0.60
A1	0	0.02	0.05
A3	0.10REF		
b	0.15	0.20	0.25
D	0.90	1.00	1.10
E	1.40	1.50	1.60
e	0.40	0.50	0.60
H	0.10REF		
L	0.30	0.35	0.40
L1	0.35	0.40	0.45

Ordering information

Order code	Package	Baseqty	Deliverymode	Marking
UMW SN74AUP1G125DCKR	SC70-5	3000	Tape and reel	HM5 U
UMW SN74AUP1G125DBVR	SOT23-5	3000	Tape and reel	H25R U
UMW SN74AUP1G125DRYR	DFN6	5000	Tape and reel	HM U