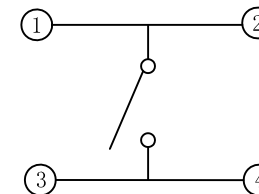
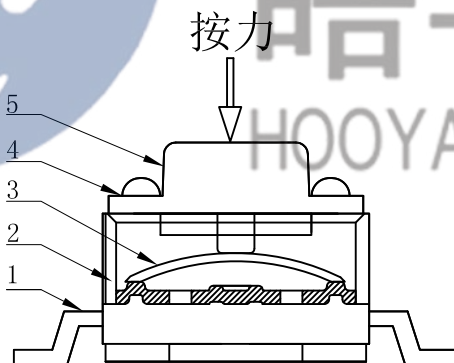
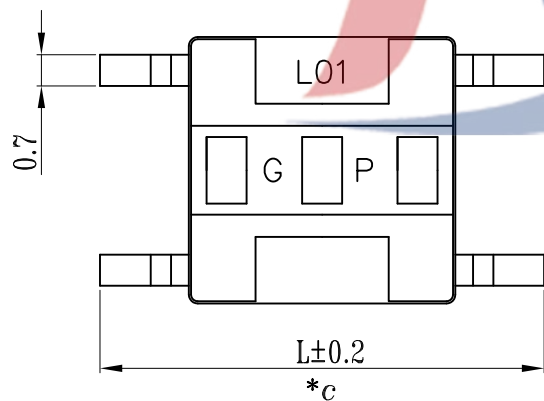


P.C.B LAYOUT



SCHEMATIC



H=10.0 mm

脚距 L
8.0 mm
8.8 mm
9.8 mm

SPECIFICATION

- 1.Rating : DC12V 50mA.
  - 2.Contact resistance: ≤100mΩ.
  - 3.Insulation resistance: ≥100MΩ (DC100V).
  - 4.Withstanding voltage: 250VAC .
  - 5.Operating Force: 200±100gf.
  - 6.Travel:0.25±0.1mm.
  - 7.life test: 100,000 cycles.
  - 8.Operation temperature range:-25℃~85℃.
  - 9.Sign"\* "is importance dimension.
- TEL: 0769-82310510-867

				TOLERANCE UNLESS SPECIFIED							
				<1.5: ±0.1mm	ANGULAR						
				>1.5~5.0: ±0.25mm	±1°						
				>5.0: ±0.3mm		NO	DATE	REVISIONS		BY	APPD
5	KNOB	PA9T	1	BLACK/RED	TITLE: TACT SWITCH		UNIT : MM	ROHS	DWN		
4	COVER	BRASS/SUS	1	Sn-Plating	MODEL: TC-06104A-100E-01		SCALE: 1:1	COMPLIANT	CHK'D		
3	CONTACT	SUS	1	Ag-Plated	DONGGUANG HAOYU ELECTRONICS CO., LTD 皓宇 HOOYA 东莞市弘皓电子有限公司		APPD		PRO.AGL:		REV :A0
2	CASE	PA9T	1	BLACK							
1	TERMINAL	BRASS	1	Ag-Plated							
NO.	PART	NAME	MATERIAL	QTY	FINISHING						