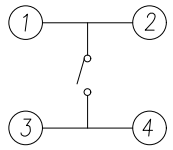
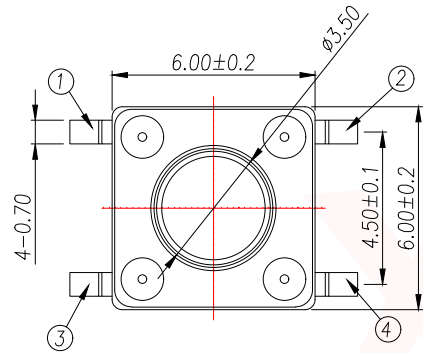
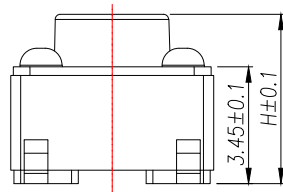
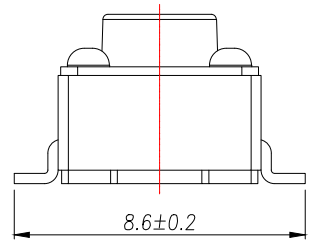
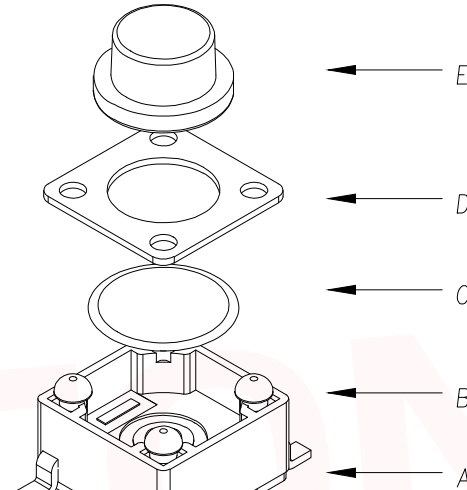


REV.	Q'TY	ECN. NO.	APR.	DATE



CIRCUIT DIAGRAM

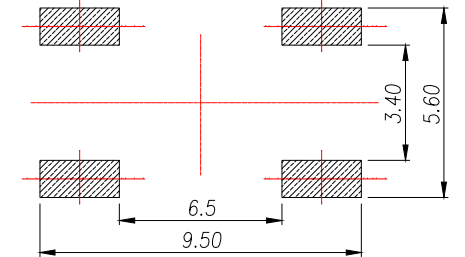
H	H	H	H	H
4.3	6.5	9.5	12.5	15.5
4.5	7.0	10.0	13.0	16.0
4.8	7.5	10.5	13.5	16.5
5.0	8.0	11.0	14.0	17.0
5.5	8.5	11.5	14.5	17.5
6.0	9.0	12.0	15.0	18.0



ITEM	DESCRIPTION	MATERIAL	QTY	FINSH/COLOR
E	按钮	PPA	1	黑色
D	盖板	铁盖板	1	镀锡
C	弹片	不锈钢	1	镀银
B	本体	PPA	1	黑色
A	卡件	黄铜	1	镀银

The Main Thchnology Performance

Rate voltage.current	50mA DC12V
Contact resistance	≤100mΩ
Operating force	±30gf
Travel	0.20±0.10mm
Insulated resistance	≥100MΩ
Dielectric strength	≥250VAC/1min



PCB.WELDING DRAWING

T S O 1 4 - T B W 1

力度: F: 250G  
E: 180G  
高度: H4.3  
H4.5  
.....

DIMENSION IN mm		TOLERANCE UNLESS OTHERWISE SPECIFIED		厦门市辛译精密电子有限公司 Xiamen XinYi Xyecomm Electronics Co.,Ltd	
.X±0.35	X.*± 5°	APR.	Alex	TITLE: 6x6 SMD TACT SWITCH	
.XX±0.25	.X*± 3°	CHK.	Jack	DWG NO. TS014-TBW1FHX	
.XXX±0.15	.XX*± 1°	DRA.	Can	PROJ.  CUSTOMER DRAWING	
SIZE A4	SCALE 1:1	SHEET 1/1	REV. A		