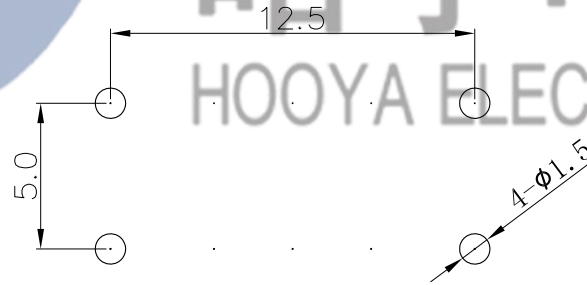
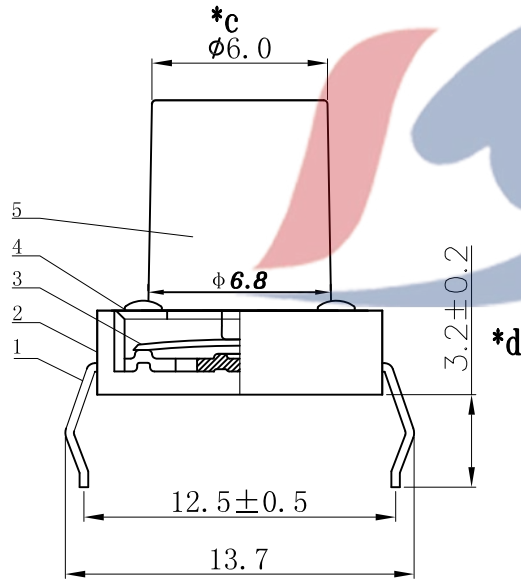
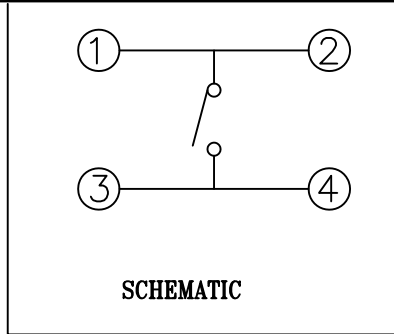
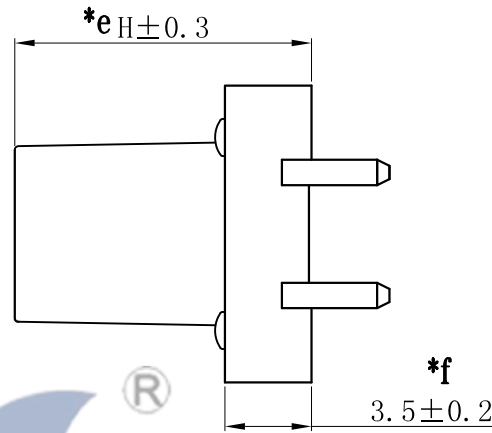
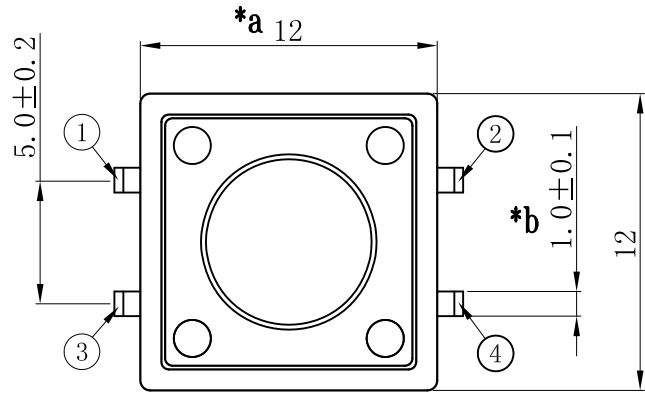


HAOYU



- SPECIFICATION**
1. Rating : DC12V 50mA.
  2. Contact resistance: ≤100mΩ.
  3. Insulation resistance: ≥100MΩ (DC100V).
  4. Withstanding voltage: 250VAC .
  5. Operating Force: 160±50gf/250±80gf
  6. Travel: 0.3±0.1mm.
  7. life test: 100,000 cycles.
  8. Operation temperature range: -25℃~85℃.
  9. Sign"\* "is importance dimension.

H=6.0mm

				TOLERANCE UNLESS SPECIFIED							
5	STEM	PA9T $\triangle 1$	1	BLACK	<1.5: ±0.1mm >1.5~5.0: ±0.25mm >5.0: ±0.3mm	ANGULAR ±1°	A1	2024.1.22	$\triangle 1$ 材质变更/底座下四个角更正形状	TQF	
4	COVER	SPCC $\triangle 1$	1	TX-Plated	TITLE: TACT SWITCH		UNIT : MM	ROHS	DWN		
3	CONTACT	SUS	1	Ag-Plated	MODEL: TC-00121-060E		SCALE: 1:1	COMPLIANT	CHK'D		
2	CASE	PA9T $\triangle 1$	1	BLACK	DONGGUANG HAOYU ELECTRONICS CO., LTD				APPD		
1	TERMINAL	BRASS	4	Ag-Plated	东莞市弘皓电子有限公司						
NO.	PART NAME	MATERIAL	QTY	FINISHING	HAOYU HOOYA		PRO.AGL: $\triangle$ $\oplus$		REV :A1		