

Customer Information Sheet

DRAWING No.: M20-781XX45X

SHEET 3 OF 4

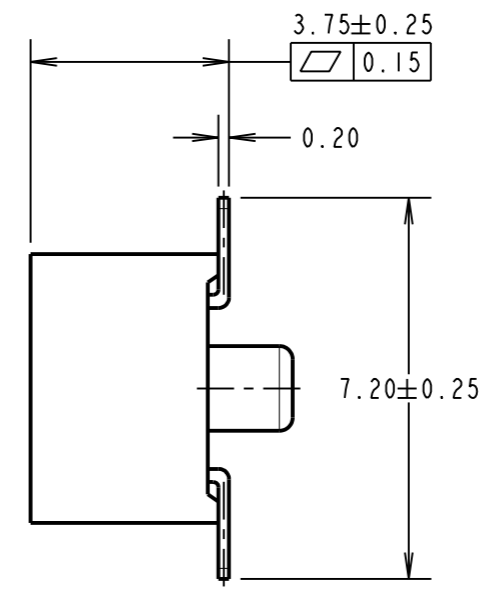
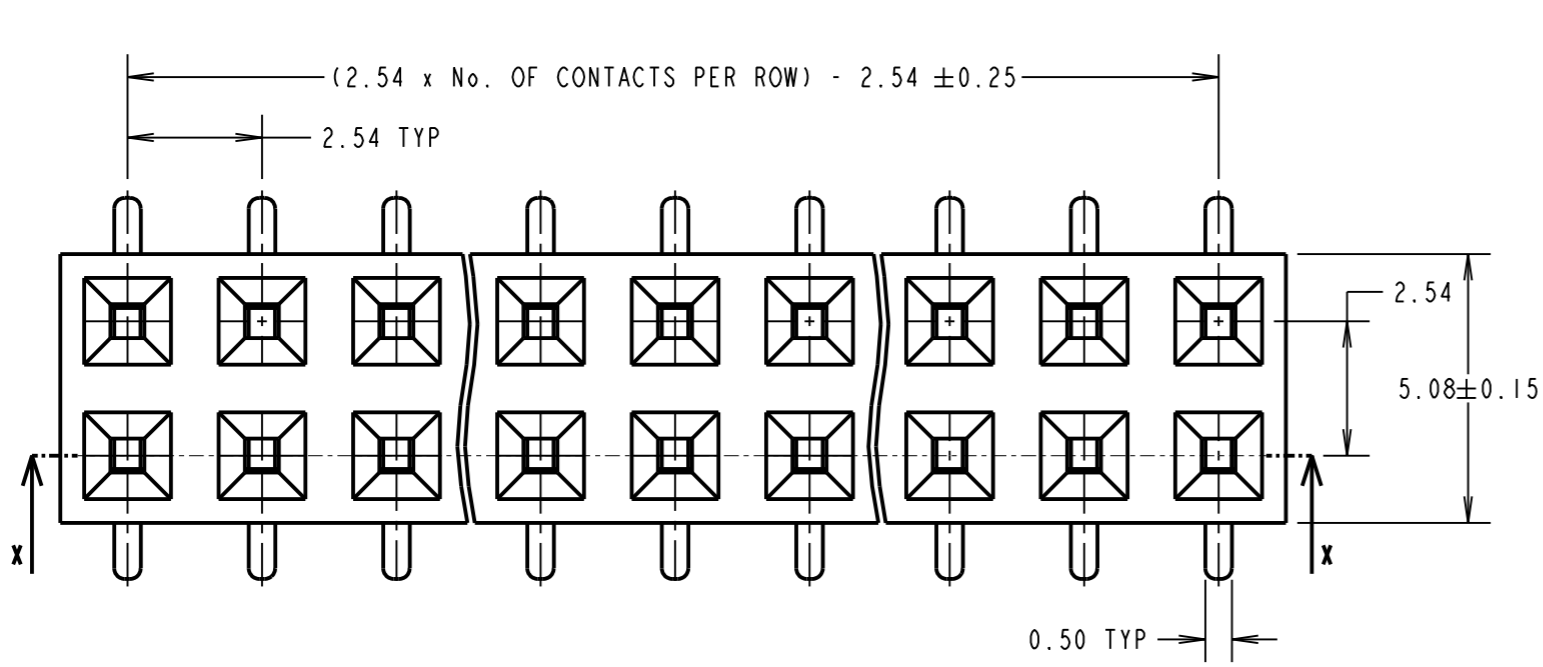
IF IN DOUBT - ASK

©

NOT TO SCALE

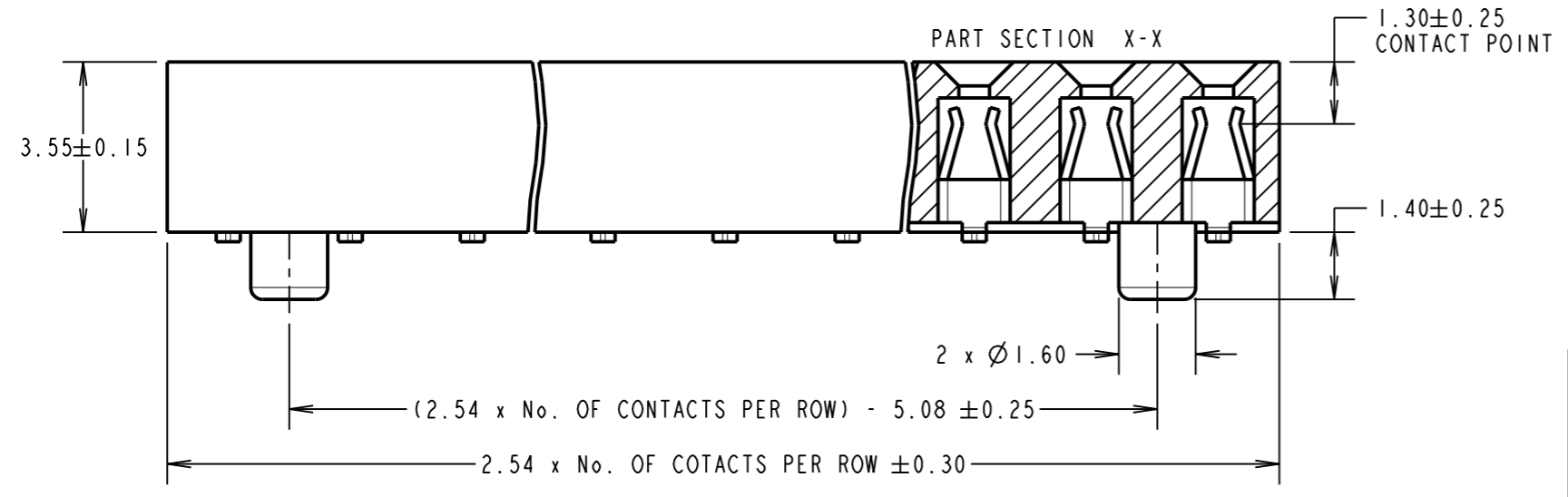
THIRD ANGLE PROJECTION

ALL DIMENSIONS IN mm

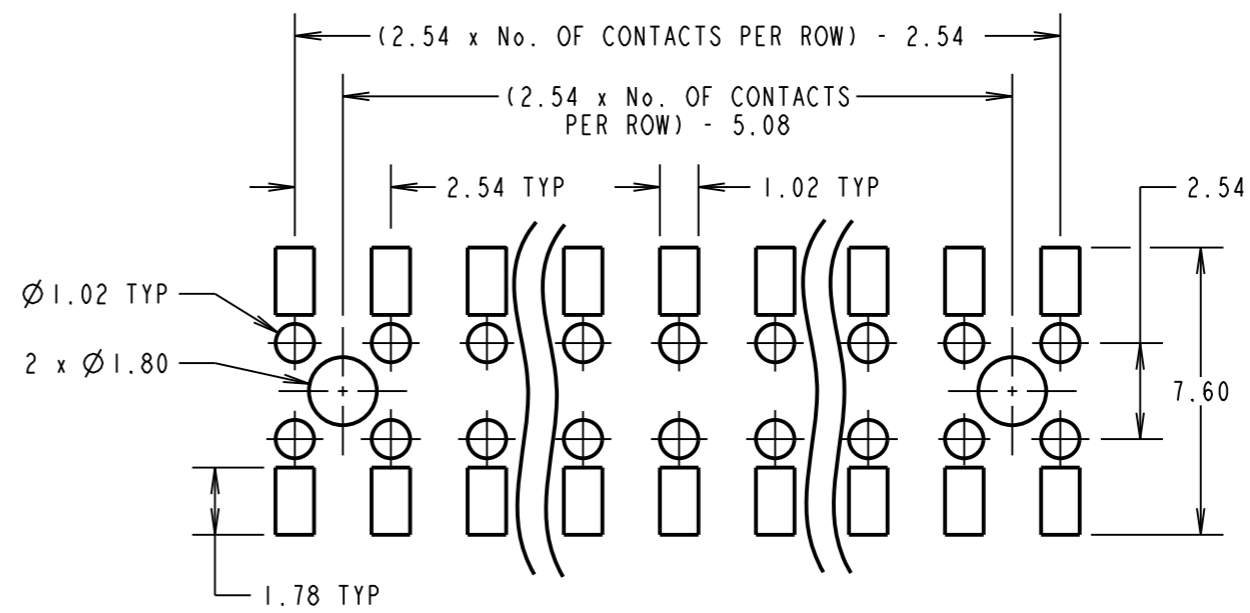


SPECIFICATIONS:
MATERIAL:
 MOULD = GLASS FILLED PA9T, UL94V-0
 CONTACTS = PHOSPHOR BRONZE
FINISH:
 0.015µ MIN GOLD OVER 0.76-2.03µ NICKEL
ELECTRICAL:
 CURRENT RATING = 3A
 CONTACT RESISTANCE = 20mΩ MAX
 INSULATION RESISTANCE = 1000MΩ MIN
 VOLTAGE PROOF = 1000V AC FOR ONE MINUTE
MECHANICAL:
 INSERTION FORCE = 1.96N MAX PER CONTACT
 WITHDRAWAL FORCE = 0.29N MIN PER CONTACT
 DURABILITY = 300 CYCLES MIN
ENVIRONMENTAL:
 OPERATING TEMPERATURE = -40°C TO +105°C

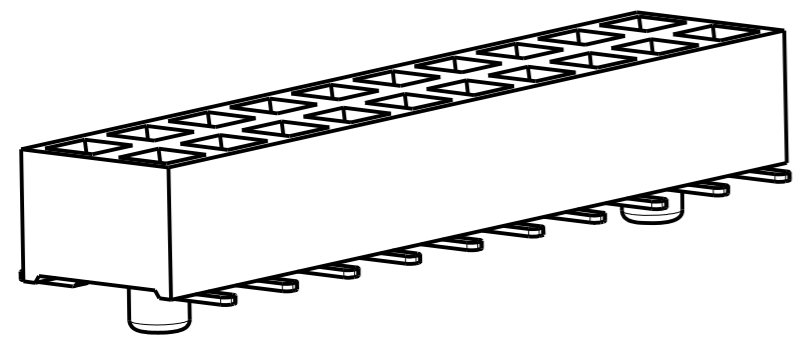
ORDER CODE:
M20-781XX45X
 No. OF CONTACTS PER ROW: _____
 02-10, 12, 15 & 20
 PACKING: _____
 BLANK = TUBE
 R = TAPE AND REEL (SHEET 4)



RECOMMENDED PCB LAYOUT
 (TOLERANCE = ±0.05)



NOTES:
 1. CONTACT LEG VARIATION ON COMPLETE ASSEMBLY NOT TO EXCEED 0.10mm.
 2. FOR TAPE AND REEL DETAILS, SEE SHEET 4.



MSP	1	06.05.16	-----
NAME	ISS.	DATE	C/NOTE
APPROVED: M.PERREN			
CHECKED: S.BENNETT			
DRAWN: M.PERREN			
CUSTOMER REF.:			
ASSEMBLY DRG:			

<p>www.harwin.com technical@harwin.com</p>	<p>THIS DRAWING AND ANY INFORMATION OR DESCRIPTIVE MATTER SET OUT HEREON ARE CONFIDENTIAL AND COPYRIGHT PROPERTY OF THE HARWIN GROUP AND MUST NOT BE DISCLOSED, LOANED, COPIED OR USED FOR MANUFACTURING, TENDERING OR FOR ANY OTHER PURPOSE WITHOUT THEIR WRITTEN PERMISSION.</p>	<p>TOLERANCES X. = ±1mm X.X = ±0.50mm X.XX = ±0.10mm X.XXX = ±0.01mm ANGLES = ±5° UNLESS STATED</p>	<p>MATERIAL: SEE ABOVE</p>	<p>TITLE: 2.54mm PITCH DIL LOW PROFILE SMT SOCKET WITH PEGS</p>
			<p>FINISH: SEE ABOVE</p>	

Customer Information Sheet

DRAWING No.: M20-781XX45X

SHEET 4 OF 4

IF IN DOUBT - ASK

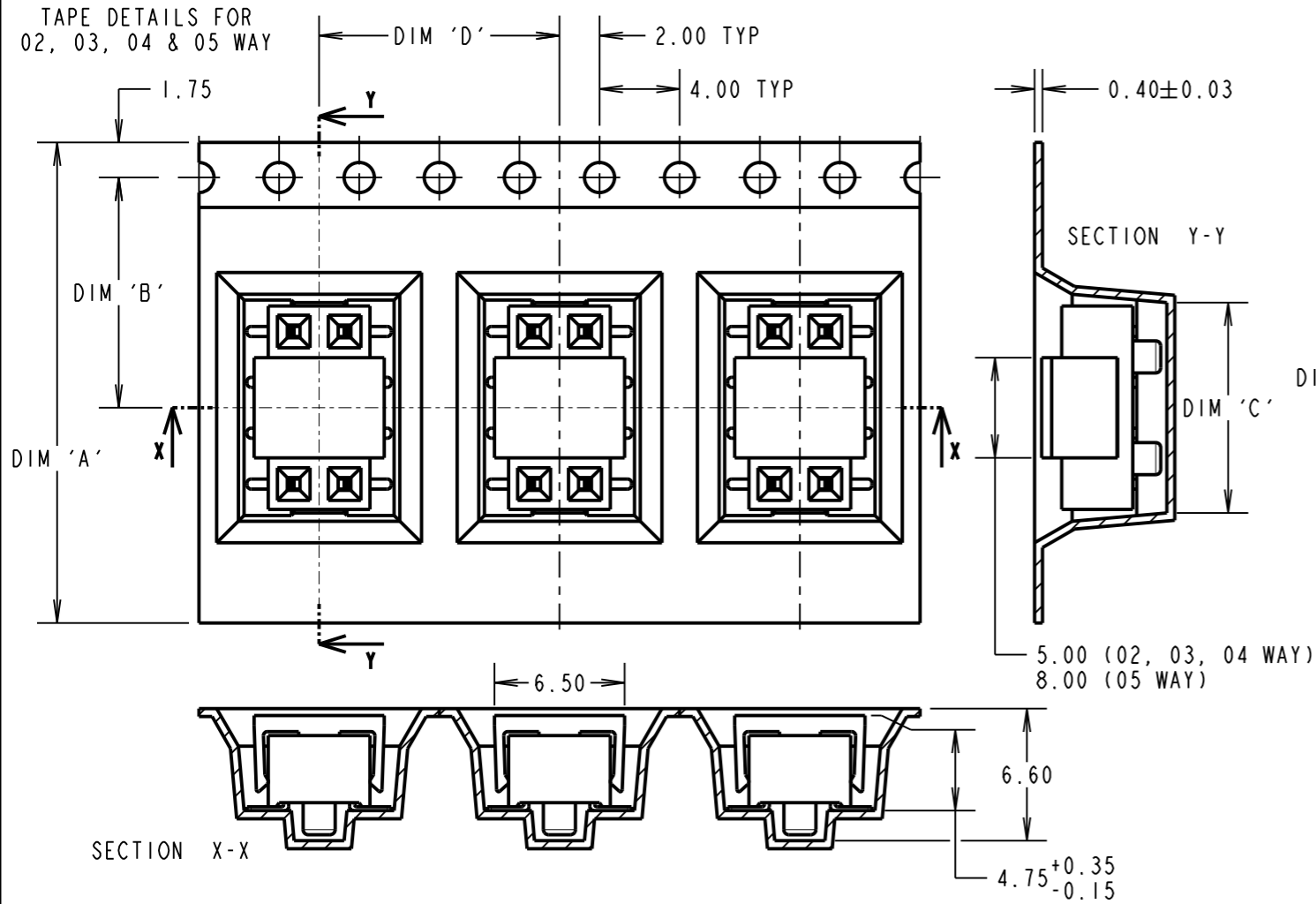
Ⓢ

NOT TO SCALE

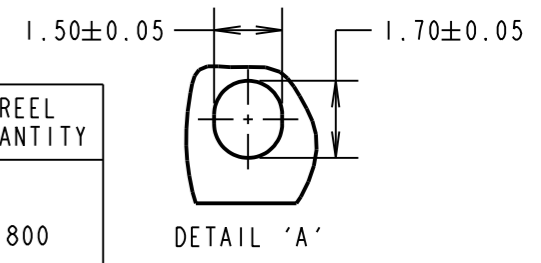
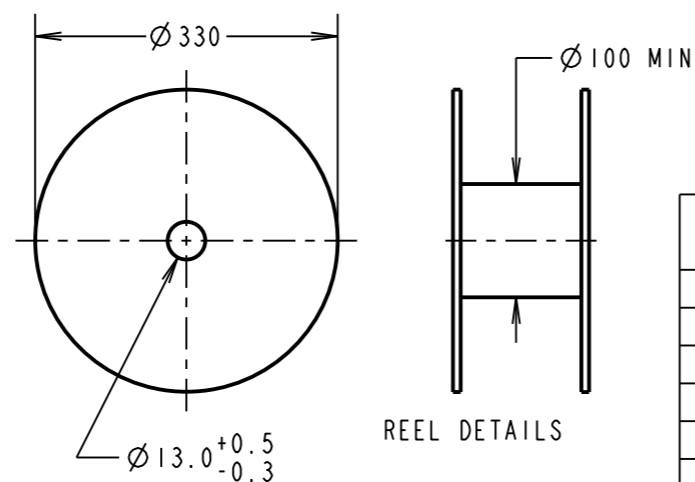
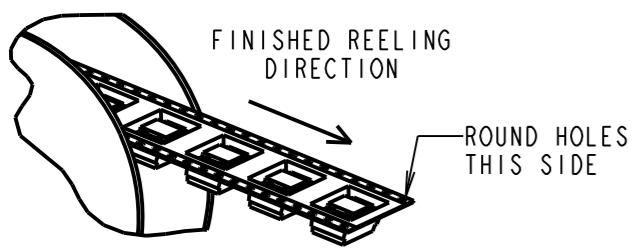
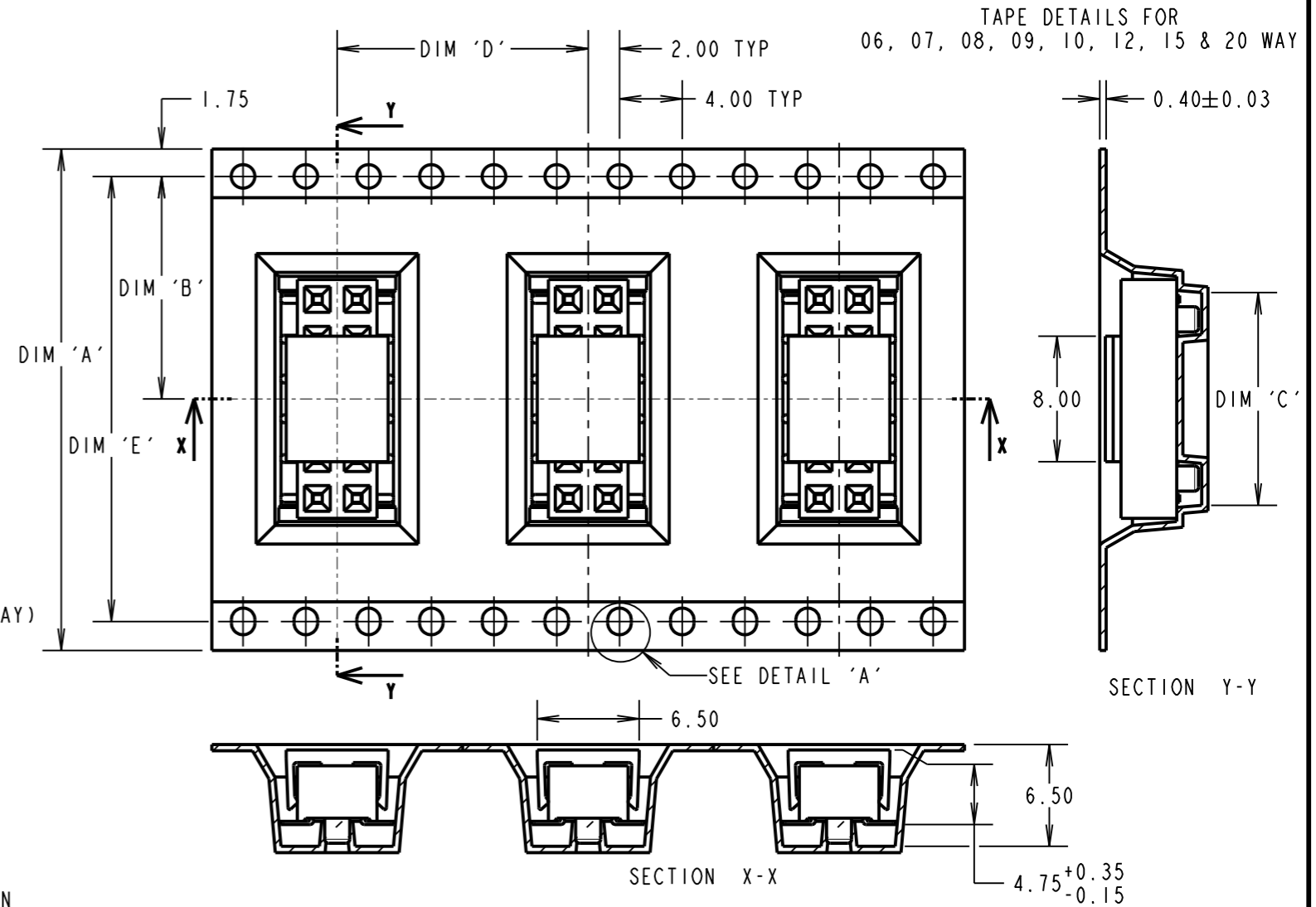
THIRD ANGLE PROJECTION

ALL DIMENSIONS IN mm

TAPE DETAILS FOR
02, 03, 04 & 05 WAY



TAPE DETAILS FOR
06, 07, 08, 09, 10, 12, 15 & 20 WAY



ORDER CODE:
M20-781XX45X

No. OF CONTACTS PER ROW: _____
02-10, 12, 15 & 20

PACKING: _____
BLANK = TUBE (SHEET 3)
R = TAPE AND REEL

PART No.	DIMENSION					REEL QUANTITY
	DIM 'A'	DIM 'B'	DIM 'C'	DIM 'D'	DIM 'E'	
M20-7810245R	16.00±0.30	7.50±0.15	5.40	12.00	N/A	800
M20-7810345R			8.00			
M20-7810445R	24.00±0.30	11.50	10.50	16.00	28.50	600
M20-7810545R			13.00			
M20-7810645R	32.00±0.30	14.20±0.15	15.65			
M20-7810745R			18.08	12.00	40.40	600
M20-7810845R	44.00±0.30	20.20±0.15	23.35			
M20-7811045R			25.80	16.00	52.40	600
M20-7811245R	56.00±0.30	26.20±0.15	30.90			
M20-7811545R			38.50	12.00	68.40	600
M20-7812045R	72.00±0.30	34.20±0.15	51.20			

- NOTES:
- PRODUCT IS TAPE AND REELED IN GENERAL ACCORDANCE WITH EIA-481 (ELECTRICAL INDUSTRIES ASSOCIATION).
 - CONTACT LEG VARIATION ON COMPLETE ASSEMBLY NOT TO EXCEED 0.10mm.
 - FOR CONNECTOR DETAILS AND SPECIFICATIONS, SEE SHEET 3.

HARWIN

www.harwin.com
technical@harwin.com

THIS DRAWING AND ANY INFORMATION OR DESCRIPTIVE MATTER SET OUT HEREON ARE CONFIDENTIAL AND COPYRIGHT PROPERTY OF THE HARWIN GROUP AND MUST NOT BE DISCLOSED, LOANED, COPIED OR USED FOR MANUFACTURING, TENDERING OR FOR ANY OTHER PURPOSE WITHOUT THEIR WRITTEN PERMISSION.

TOLERANCES
X. = ±1mm
X.X = ±0.50mm
X.XX = ±0.10mm
X.XXX = ±0.01mm
ANGLES = ±5°
UNLESS STATED

MATERIAL: SEE ABOVE
FINISH: SEE ABOVE
S/AREA: mm²

TITLE:
2.54mm PITCH DIL LOW PROFILE SMT SOCKET WITH PEGS

DRAWING NUMBER:
M20-781XX45X

SHT 4 OF 4

MSP	1	06.05.16	-----
NAME	ISS.	DATE	C/NOTE
APPROVED:		M.PERREN	
CHECKED:		S.BENNETT	
DRAWN:		M.PERREN	
CUSTOMER REF.:			
ASSEMBLY DRG:			