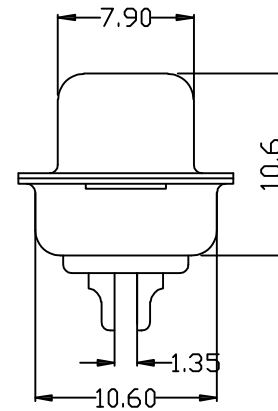
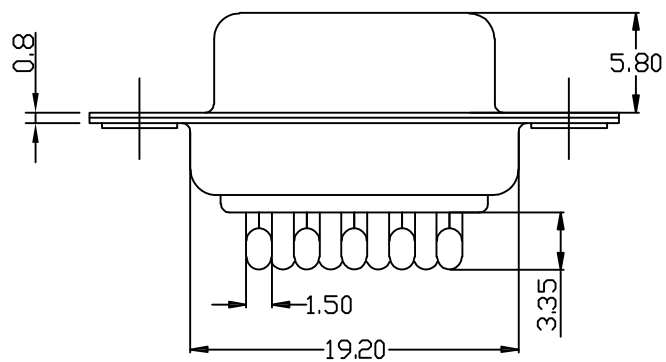


MATERIAL & FINISHES

INSULATOR - PBT GLASS FILLED UL94V-0
 CONTACT- BRASS OR PHOSPHOR BRONZE
 SHELL - STEEL
 PLATING - CONTACT
 SELECTIVE GOLD OVER NICKEL PLATED(CONTACT AREA)
 TIN/LEAD OVER NICKEL PLATED(TAIL AREA)
 - SHELL
 TIN OR ZINC OVER COPPER PLATED

ELECTRICAL CHARACTERISTICS

CURRENT RATING : 3A
 CONTACT RESISTANCE : 20mΩ MAX
 INSULATION RESISTANCE : 1000MΩ AC 500V
 DIELECTRIC VOLTAGE : 500V /MIN
 OPERATING TEMPERATURE : -55°C TO+105°C



TOLERANCE TABLE	
.0	±0.30
.00	±0.20
.000	±0.05

APPROVED:	DATE:	Ckmtw 深圳市灿科盟实业有限公司 CHANKLEMENT INDUSTRYCO., LTD			
CHECKED:	DATE:	TITLE: DB-9S 母头 传统焊线式 光孔 蓝胶芯			
DRAWN: SXA	DATE: 2019-07-18	PART. NO.	D-DB0009PF-A000		
		UNIT	mm	SCALE	free
		FILE NO.	Ckmtw-DB-0015	REV.	A