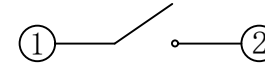
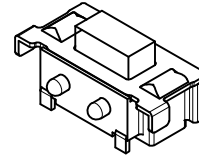
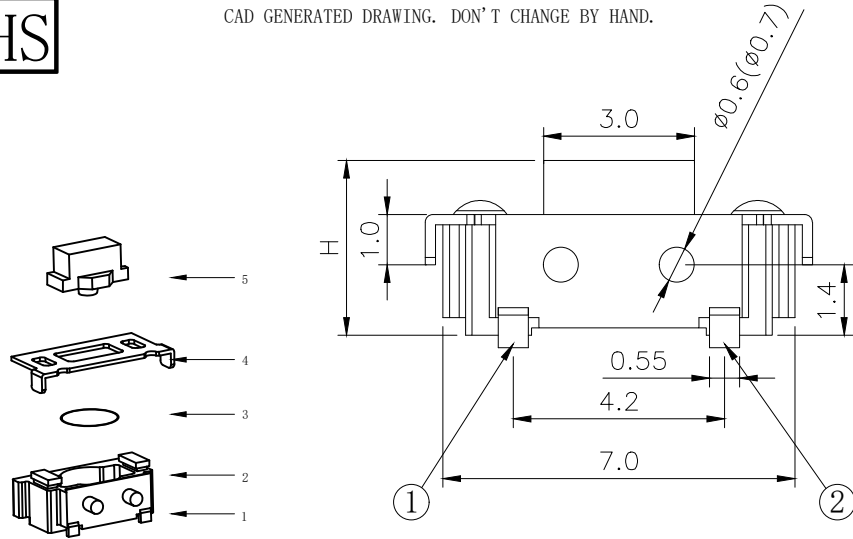


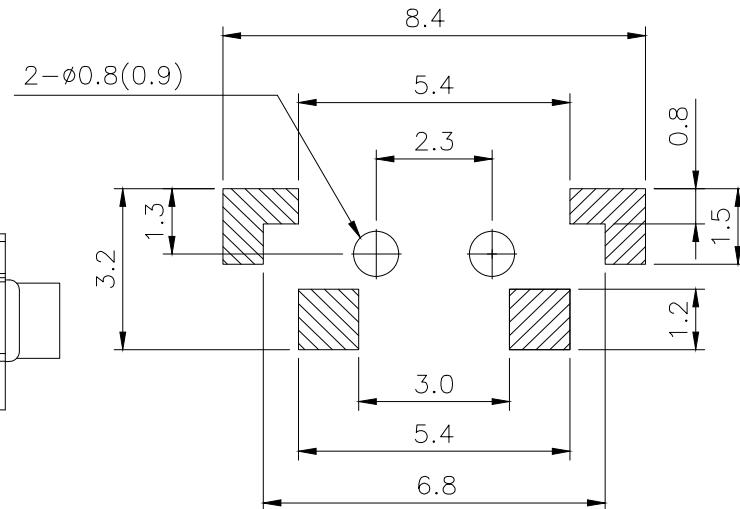
RoHS

CAD GENERATED DRAWING. DON'T CHANGE BY HAND.

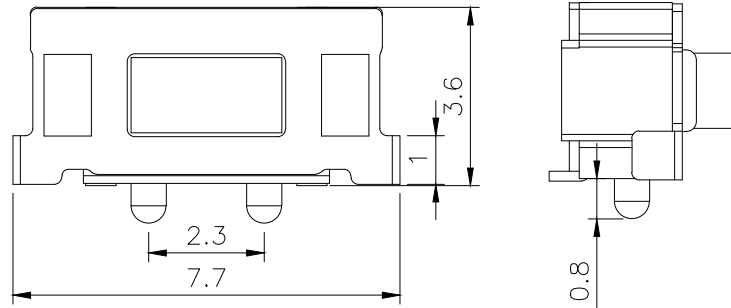
| REV. | ECN. NO. | APPD. |
|------|----------|-------|
| | | |



CIRCUIT DIAGRAM



PCB WELDING DRAWING



Specification

| | |
|-----------------------|--------------------|
| Operating Life | 100,000 |
| Contact rating | 50mA@12V DC. |
| Insulation resistance | 100MΩ min. |
| Contact resistance | 100mΩ max. initial |
| Dielectric Strength | 250 V AC(1mm) |
| Travel | 0.2±0.1mm |
| Storage Temperature | -30° C to 80° C |

Packaging:
Reel of 2,000 pieces.

Mechanical

| E | Button | PPA/Silicone | 1 | Black/Blue |
|------|-------------|-----------------|-----|--------------|
| D | COVER | Phosphor copper | 1 | Silver |
| C | DOME | Stainless Steel | 1 | Plated Ag |
| B | HOUSING | PPA | 1 | Black |
| A | CARDS | Phosphor copper | 1 | Plated Ag |
| ITEM | DESCRIPTION | MATERIAL | QTY | FINISH/COLOR |

| P/N | Operating Force (gf) | Height (mm) | Button | Leads Shape (G, J, T) | Ground pin (0, 1) | Pages (Option 0, 1) |
|----------|----------------------|------------------|-----------------------|-----------------------|-------------------------|---------------------|
| BTS0B001 | 3: 250±50 | A: 3.5 B: 3.8 | F (Black) U (Blue) | G | 1 (Ground pin 0 (none)) | 1 (Pages 0 (none)) |
| | 1: 120±50 | | | | | |

| | | |
|------------|------------|-------|
| .X ±0.50 | X.° ±2° | UNITS |
| .X ±0.30 | .X° ±1° | mm |
| .XX ±0.10 | .XX° ±0.5° | MAT'L |
| .XXX ±0.05 | | |

THESE DRAWINGS AND SPECIFICATIONS ARE THE PROPERTY OF BOZHONG TECHNOLOGY CO.,LTD

| | |
|--------|---------------------------|
| FINISH | APPD: ROGER |
| Q'TY | CHKD: ROC |
| | DR: BILLY WANG 2020/08/21 |

博众电气 东莞市博众电气有限公司
DONGGUAN BOZHONG ELECTRIC CO.,LTD

PART NO. **BTS0B001**

TITLE: **TACTILE SWITCH 6x3mm**

DWG NO.: **BTS0B001**

SCALE: 1/1 SHEET: 1/1 REV: A1