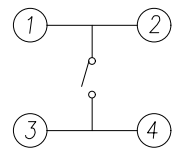
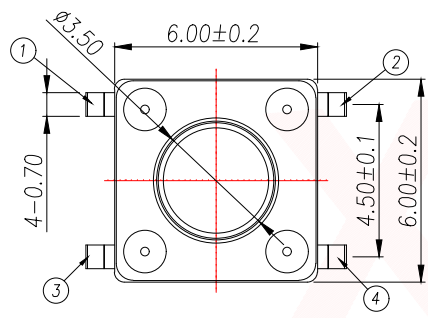
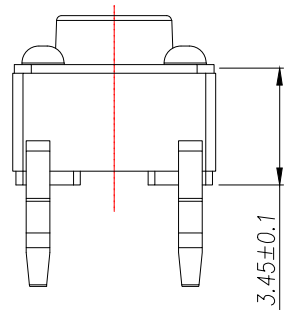
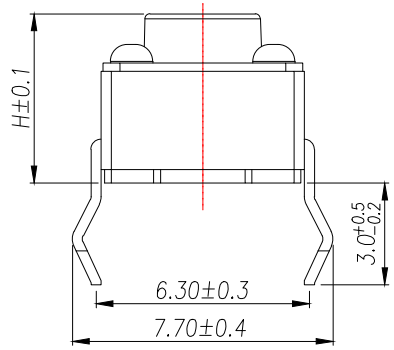
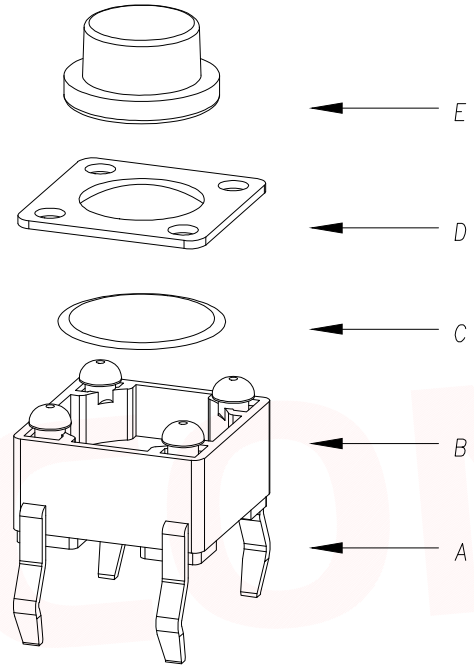
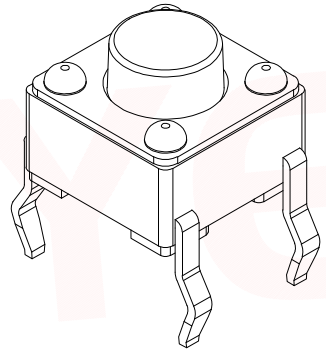


REV.	Q'TY	ECN. NO.	APR.	DATE

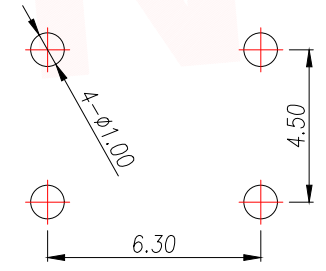


CIRCUIT DIAGRAM



The Main Thchnology Performance

Rate voltage.current	50mA DC12V
Contact resistance	≤100mΩ
Operating force	±50gf
Travel	0.20±0.10mm
Insulated resistance	≥100MΩ
Dielectric strength	≥250VAC/1min



PCB.WELDING DRAWING

ITEM	DESCRIPTION	MATERIAL	QTY	FINSH/COLOR
E	按钮	PPA	1	黑色
D	盖板	铁盖板	1	镀铜锡
C	弹片	不锈钢	1	镀银
B	本体	PPA	1	黑色
A	卡件	黄铜	1	镀银

T S O 1 3 - C B W 1

力度: F: 250G E: 180G
 高度: H4.3 H4.5

H	H	H	H	H
4.3	6.5	9.0	11.5	14.0
4.5	7.0	9.5	12.0	14.5
5.0	7.5	10.0	12.5	15.0
5.5	8.0	10.5	13.0	15.5
6.0	8.5	11.0	13.5	16.0

DIMENSION IN mm		厦门市辛译精密电子有限公司 Xiamen XinYi Xyecomm Electronics Co.,Ltd	
TOLERANCE UNLESS OTHERWISE SPECIFIED		APR. Alex	TITLE: 6x6 DIP TACT SWITCH
.X±0.35	.X*± 5*	CHK. Jack	DWG NO. TS013-CBW1FHX
.XX±0.25	.X*± 3*	DRA. Can	PROJ. CUSTOMER DRAWING
.XXX±0.15	.XX*± 1*	SIZE A4	SCALE 1:1 SHEET 1/1 REV. A