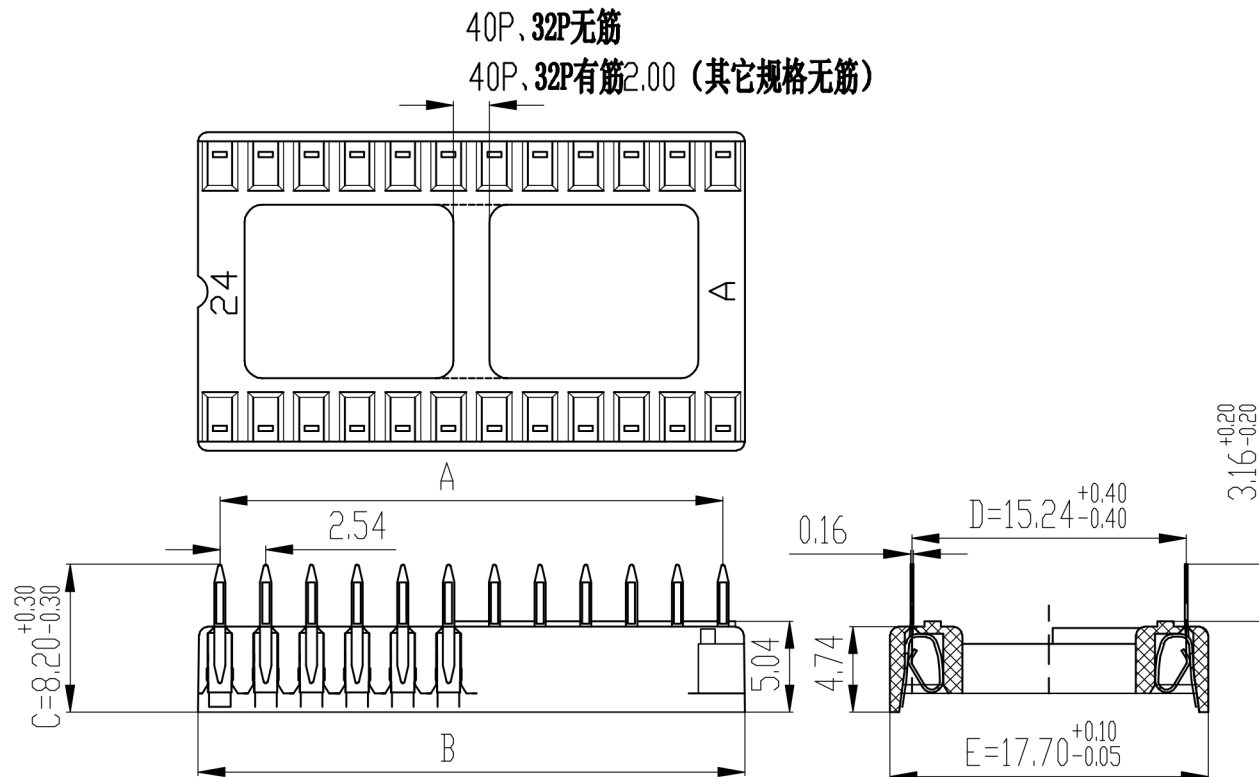


接触电阻: $\leq 20m\Omega$
 绝缘电阻: $\geq 1000M\Omega$
 插拔力: $\geq 0.05kg/P, \leq 0.1kg/P$
 额定电流: 1A/针
 环境温度: $-55^{\circ} \sim 105^{\circ}$
 焊接温度时间: $\leq 235^{\circ}, \leq 3s$
 触点材质: 磷青铜, (连带) 镀镍 $\geq 130\mu$
 绝缘座: PBT
 耐压: 1000VAC60s,
 无击穿, 闪络, 飞弧
 盐雾测试: 24小时不生锈
 沉降盐雾浓度: $(5 \pm 1)\% NaCl (m/m)$
 试验箱温度: $(35 \pm 2)^{\circ} C$



规格	A	B	C	D	E
24	27.94 ^{+0.10} / _{-0.10}	30.48 ^{+0.10} / _{-0.10}	8.20 ^{+0.20} / _{-0.10}	15.24 ^{+0.30} / _{-0.30}	17.70 ^{+0.10} / _{-0.05}
28	33.02 ^{+0.10} / _{-0.10}	35.56 ^{+0.10} / _{-0.10}			
32	38.10 ^{+0.10} / _{-0.10}	40.64 ^{+0.10} / _{-0.10}			
40	48.26 ^{+0.10} / _{-0.10}	50.80 ^{+0.10} / _{-0.10}			
40/筋	48.26 ^{+0.10} / _{-0.10}	50.80 ^{+0.10} / _{-0.10}			
42	50.80 ^{+0.10} / _{-0.10}	53.34 ^{+0.10} / _{-0.10}			
48	58.42 ^{+0.10} / _{-0.10}	60.96 ^{+0.10} / _{-0.10}			

		new		2015/5/3	A	瀚源
ECN BO.		DESCRIPTION.		DATE.	REV.	
DESIGNED	CHECKED	APPROVAL	DRAWING NUMBER	SCALT: 1/2		SCALE: 3:1
Mikey	Tom	Jerry	PART NAME	H2541FV-C1524-2xXXP	UNLESS OTHERWISE SPECIFIED, TOLERANCE:	X. ±0.25
			MODEL NAME	H2541FV-C1524-2xXXP		X.xx ±0.20
			3RD ANGLE PROJ	HanElectricity Co.,LTD		X.xxx ±0.15
					ANGULAIR	±3
					FILE.NO.	