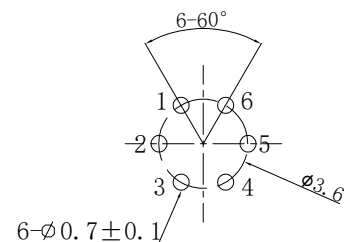
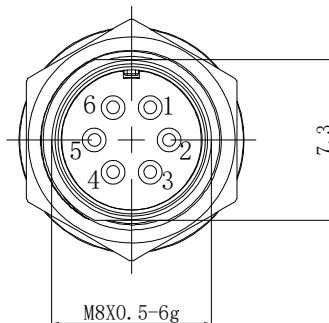
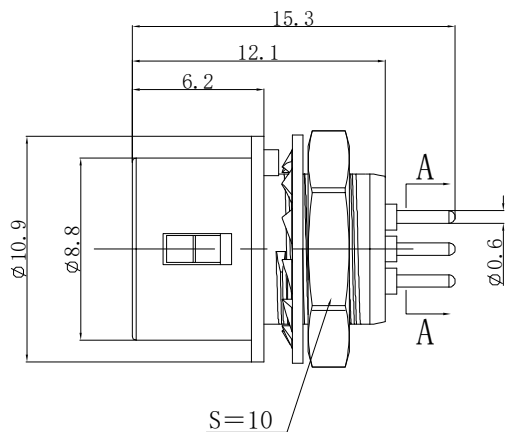
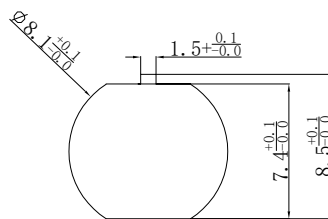


# 1. FIGURE AND DIMENSIONS (视图及尺寸)



PCB板开孔尺寸  
A-A (比例: 1: 1)



面板开孔尺寸

| Main technical indicators (主要技术指标) |                                   |
|------------------------------------|-----------------------------------|
| 1. Mating (插拔次数)                   | 500                               |
| 2. Working Temperature (温度)        | -55~+150 °C                       |
| 3. IP Rating (防护级别)                | IP 44                             |
| 4. Diameter of socket end (插合端直径)  | φ0.6                              |
| 5. Testing Voltage (测试电压)          | 150V                              |
| 7. Rated Current (额定电流)            | 2A                                |
| 8. Shell material (壳体材质)           | Zinc alloy nickel plated / 锌合金镀亚镍 |
| 9. Pin Material (插针材料)             | Copper alloy gold plating (铜合金镀金) |

| Sum up (总结)                 |  |
|-----------------------------|--|
| Series (系列)                 | XKB10  |
| Shell style/model (外壳样式/型号) | 7R: Fixed receptacle, panel mount type / 直式插头, 直通型 |
| Button (按键)                 | 5 button (5个按键)                                    |
| Termination type (终止类型)     | Male headers (公板接)                                 |
| Line diameter awg (线材直径)    | -  |
| Cable diameter φ (电缆直径)     | -  |
| Match plug (匹配插头)           | XKB10A. 7P. 6L                                     |

|         |      |                  |                                       |      |
|---------|------|------------------|---------------------------------------|------|
| 版本      |      | TITLE            | DRAWING NO.                           | REV. |
| REVA4   |      | XKB10A. 7R插座6芯倒装 | XKB10A-7R-6AN                         | A0   |
| REVA3   |      |                  |                                       |      |
| REVA2   |      | PART NO.         | UNIT                                  |      |
| REVA1   |      | USE              | SCALE                                 |      |
| DRAW    | DATE |                  | SHEET                                 |      |
| CHECK   | DATE |                  | XKB INDUSTRIAL PRECISION CO., LIMITED |      |
| APPR' D | DATE |                  |                                       |      |