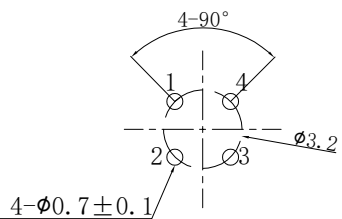
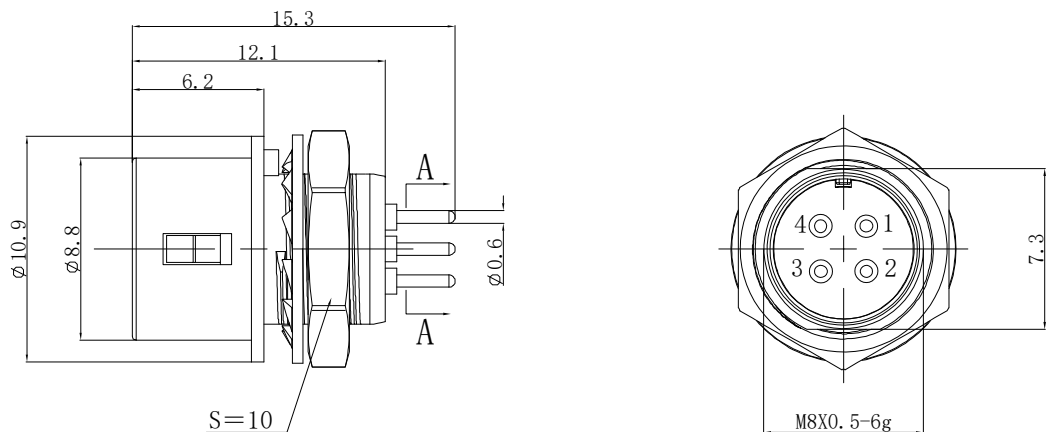
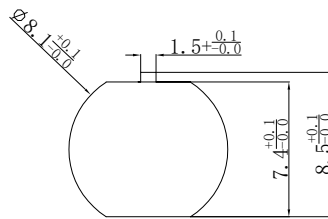


1. FIGURE AND DIMENSIONS (视图及尺寸)



PCB板开孔尺寸
A-A(比例: 1: 1)



面板开孔尺寸

Main technical indicators(主要技术指标)	
1. Mating (插拔次数)	500
2. Working Temperature (温度)	-55~+150 °C
3. IP Rating (防护级别)	IP 44
4. Diameter of socket end(插合端直径)	φ0.6
5. Testing Voltage (测试电压)	150V
7. Rated Current (额定电流)	2A
8. Shell material (壳体材质)	Zinc alloy nickel plated/锌合金镀亚镍
9. Pin Material(插针材料)	Copper alloy gold plating(铜合金镀金)

Sum up(总结)	
Series(系列)	XKB10
Shell style/model (外壳样式/型号)	7R:Fixed receptacle, panel mount type/固定式插座, 面板安装型
Button (按键)	5 button(5个按键)
Termination type (终止类型)	Male headers(公板接)
Line diameter awg(线材直径)	-
Cable diameterφ (电缆直径)	-
Match plug(匹配插头)	XKB10A. 7P. 4L

版本		TITLE	DRAWING NO.	REV.
REVA4		XKB10A. 7R插座4芯倒装	XKB10A-7R-4AN	A0
REVA3				
REVA2		PART NO.	UNIT	
REVA1		USE	mm	
DRAW	DATE		Free	
CHECK	DATE		SHEET	10F N
APPR' D	DATE		XKB INDUSTRIAL PRECISION CO., LIMITED	