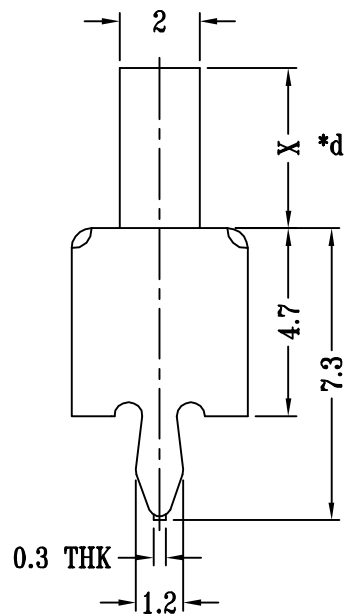
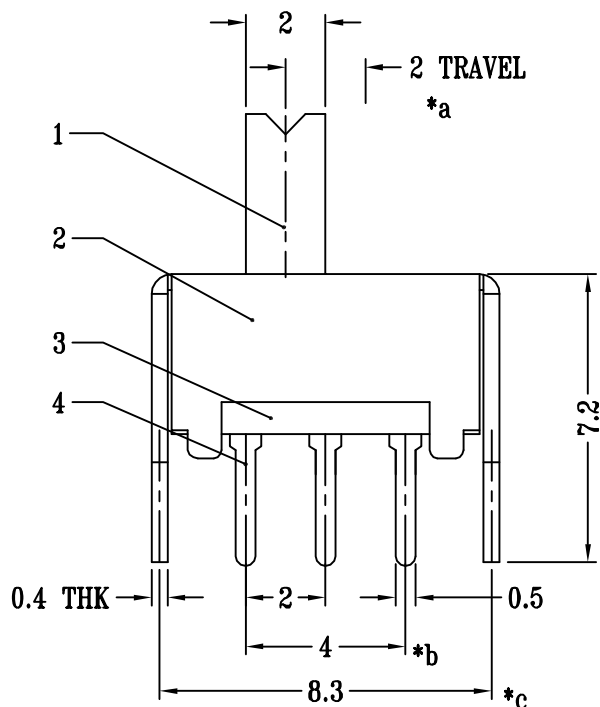
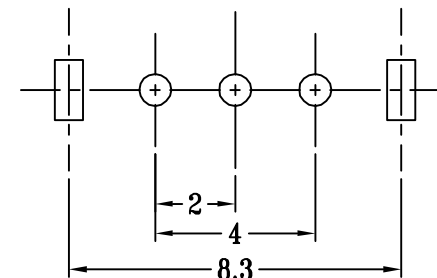


SCHEMATIC (SHORTING)



SS12D07VG X

H(mm) : 2~12



P.C.B LAYOUT
BOTTOM VIEW

注：“*”表示关键尺寸(4个)

5	CONTACT CLIP	PBS STRIP	1	Ag CLAD
4	TERMINAL	BRASS STRIP	3	Ag PLATED
3	BASE	PHENOLIC RESIN	1	NATURAL
2	FRAME	STEEL STRIP	1	Ni PLATED
1	KNOB	POM	1	BLACK
NO.	PARTS	MATERIALS	Q'TY	FINISH

ECN BO.		DESCRIPTION.		DATE.	REV.	瀚源
DESIGNED	CHECKED	APPROVAL	DRAWING NUMBER	2015/5/3	A	
Mikey	Tom	Jerry	PART NAME	SS12D07VGX	SCALT: 1/2	SCALE: 3:1
			MODEL NAME	SS12D07VGX	UNLESS OTHERWISE SPECIFIED, TOLERANCE:	
			3RD ANGLE PROJ	HanElectricity Co.,LTD	X. ±0.25	X.x ±0.20
					X.xx ±0.15	ANGULAIR ±3
					FILE.NO.	