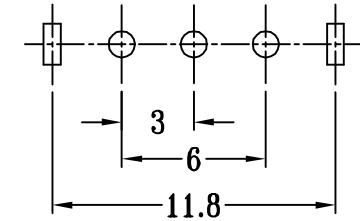
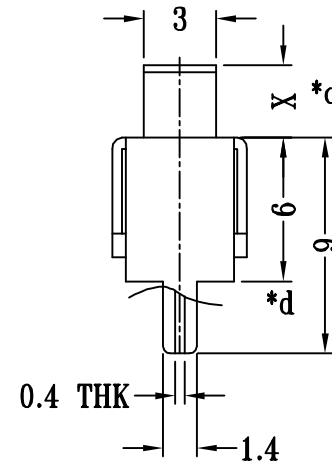
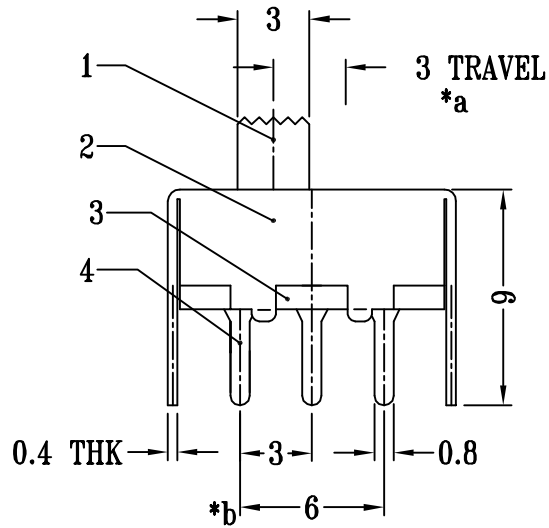


SCHMATIC (NON-SHORTING)

SS12F44G X

H(mm) : 2~12



P.C.B LAYOUT
BOTTOM VIEW

注：“*”表示关键尺寸（4个）。

NO.		PARTS	MATERIALS	Q'TY	FINISH	DESIGNED		CHECKED		APPROVAL		DRAWING NUMBER		SCALE: 1/2		SCALE: 3:1		
6	SPRING	STEEL WIRE		1	NATURAL	Mikey		Tom		Jerry		PART NAME		SS12F44GX		UNLESS OTHERWISE SPECIFIED, TOLERANCE:		
5	CONTACT	BRASS STRIP		1	Ag PLATED							MODEL NAME		SS12F44GX		X. ±0.25 X.x ±0.20 X.xx ±0.15 ANGULAIR ±3		
4	TERMINAL	BRASS STRIP		3	Ag PLATED							3RD ANGLE PROJ		HanElectricity Co.,LTD		FILE.NO.		
3	BASE	PHENOLIC RESIN		1	NATURAL													
2	FRAME	STEEL STRIP		1	Ni PLATED													
1	KNOB	POM		1	BLACK													
					ECN BO.		DESCRIPTION.		DATE.		REV.		2015/5/3		A		瀚源	