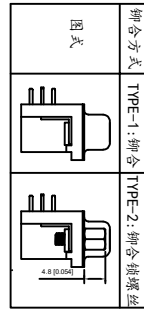


Specifications:

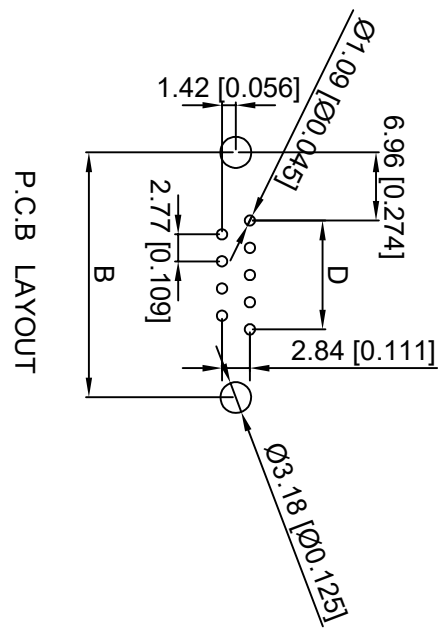
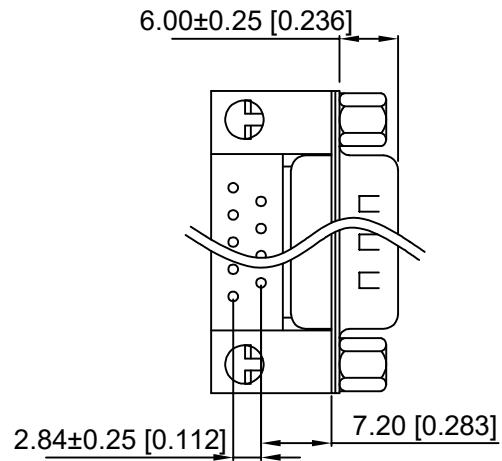
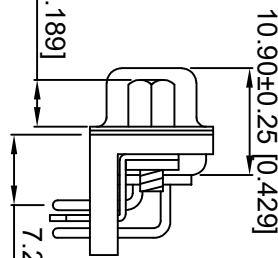
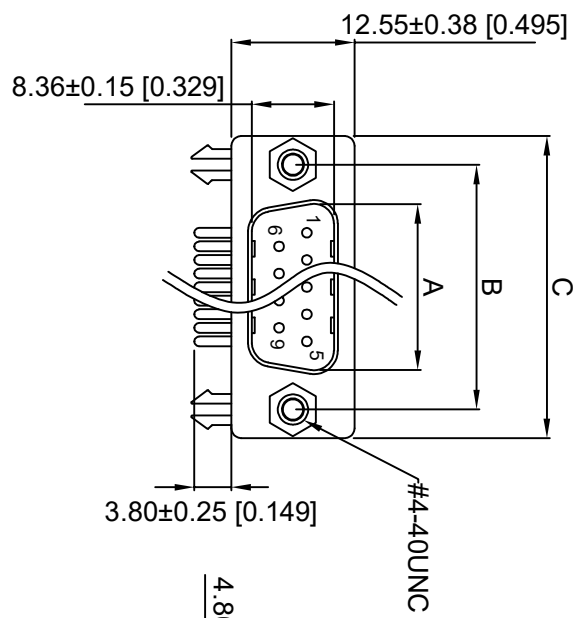
规格:  
 Current rating: 5A AC/DC  
 额定电流: 5A AC/DC  
 Voltage rating: 250V AC  
 额定电压: 250V AC  
 Withstanding voltage: 500V AC/MIN  
 耐受电压: ≥500V AC/分钟  
 Temperature range: -55°C +105°C  
 温度范围: -55°C +105°C  
 Insulation resistance: 1000MΩ/MIN  
 绝缘电阻: ≥1000MΩ  
 Contact resistance: 30mΩ/MAN  
 接触电阻: ≤30mΩ  
 Material And FINISHED:  
 INSULATOR: PBT UL 94V-0  
 绝缘体: PBT UL 94V-0  
 SHELL: SPCC-SD Plated Ni/Au/Sn  
 外壳: 铁合金 镀镍/金/锡  
 CONTACT MATERIAL: COPPER ALLOY  
 触点材料: 铜合金

X03 XX W C X X X

- ① Series NO.
- ② Row No Pin No: XX-09:15:25:37
- ③ Welding Board Angle : W-Male
- ④ C: Car-pin
- ⑤ Planting Category: 1:1U' ;2:2U' ;3:3U' ;4:5U' ;5:15U' ;6:30U' ;7:AuSn
- ⑥ B:Black W:White BL:Blue Y:Yellow G:Green R:Red
- ⑦ 1:TYPE-1; 2:TYPE-2



NO.OF CONTACT	A±0.25	B±0.13	C±0.38	D
09	16.92	24.99	30.81	11.08
15	25.25	33.32	39.14	19.39
25	38.96	47.04	53.04	33.24
37	55.42	63.50	69.32	49.86



ΔX		ANGULAR	±5°
ΔX		L ≤ 4	±0.2
ΔX		4 < L ≤ 16	±0.3
ΔX		16 < L ≤ 63	±0.4
MARK		L > 63	±0.5
REVISIONS		UNSPECIFIED TOLERANCES	
DESCRIPTION	DATE	REVISED	APPROVED
www.hellckb.com www.hellckb.cn www.kk-dig.cn			
<b>XKB</b>			
KKB INDUSTRIAL PRECISION CO., LIMITED			
DSND	SCALE: N/A	MODEL TYPE:	D-USB
DWN	VIEW:	PART NO.:	X03XXWCXXX
CHKD	UNIT: mm/in	DWG NO.:	X-X03XXWCXXX
APPD	SIZE: A4	WEIGHT	SHEET
		1/1	REVISION
			A0