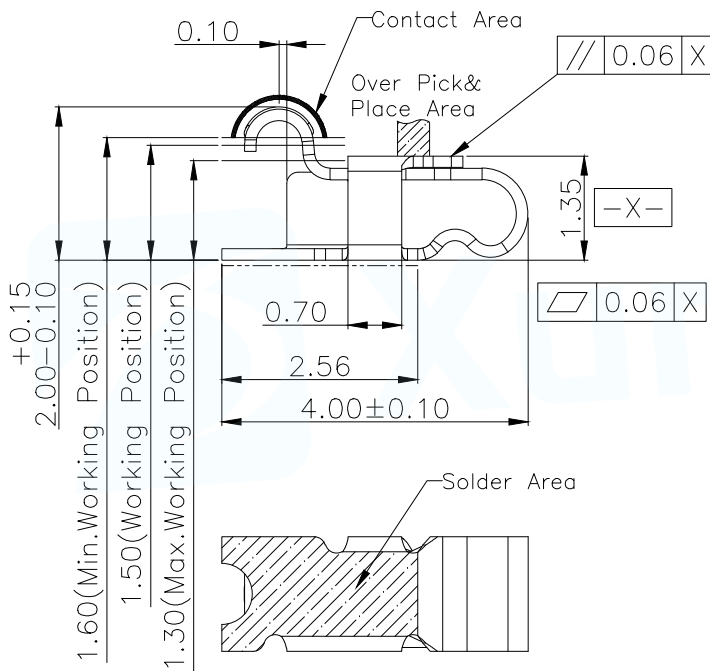
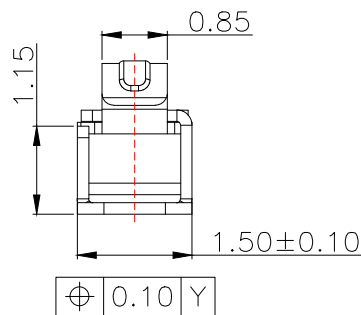
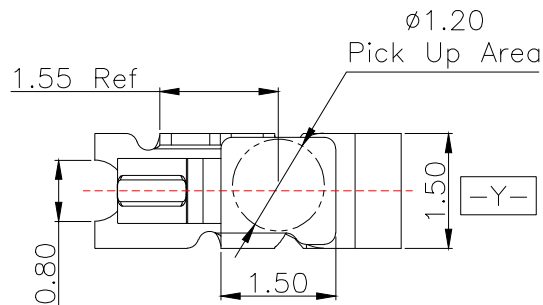
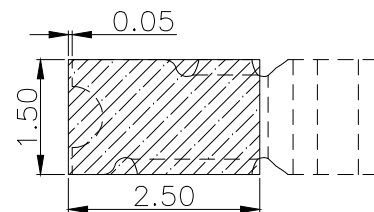


3D View



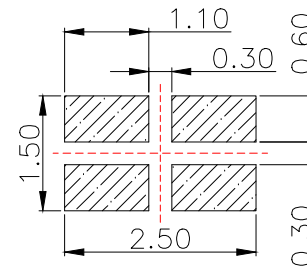
NOTES:

- 1:MATERIAL
  - 1-1: C5191 THICKNE=0.15MM
- 2:SPECIFICATIONS
  - 2-1: RATED CURRENT: 1.0A
  - 2-2: VOLTAGE RATING: 1.5V
  - 2-3: CONTACT RESISTANCE: 80mΩ/MAX
  - 2-4: WELDING THRUST: ≥3KG
  - 2-5: OPERATING TEMPERATURE: -40°C~+85°C
- 3:DURABILITY: 1500 CYCLES
- 4:SALT SPRAY TIME: 24H
- 5:ELECTROPLATE: THE NICKEL-PLATED SUBSTRATE IS 50u" MIN
- 6:REQUIREMENTS
  - 6-1:TERMINAL TO EAT FULL TIN,NOTPEELING, WELDING OBVIOUS COLOR AND OTHER ADVERSE
  - 6-2:ROHS, REACH, HF HALOGER ADVERSE OF DOMESTIC AND INTERNATIONAL ENVIRONMNTAL REQUIREMENTS



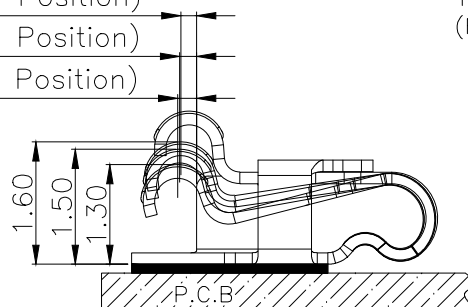
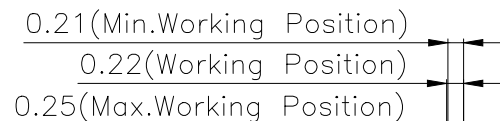
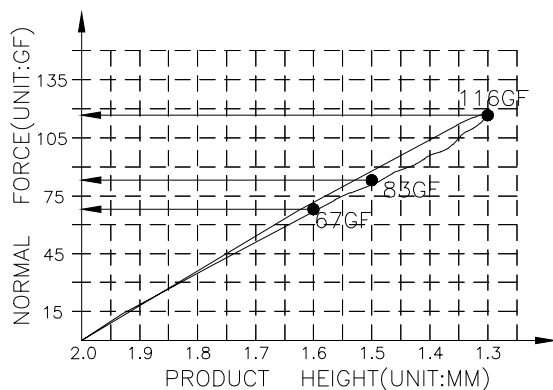
RECOMMENDED PCB LAYOUT

TOLERANCE:±0.05MM  
(FOR REFERENCE ONLY)



METAL MASK T=0.08

TOLERANCE:±0.05MM  
(FOR REFERENCE ONLY)



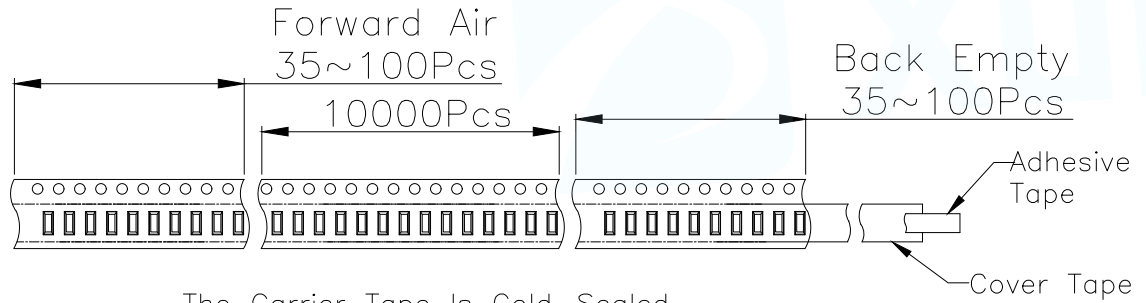
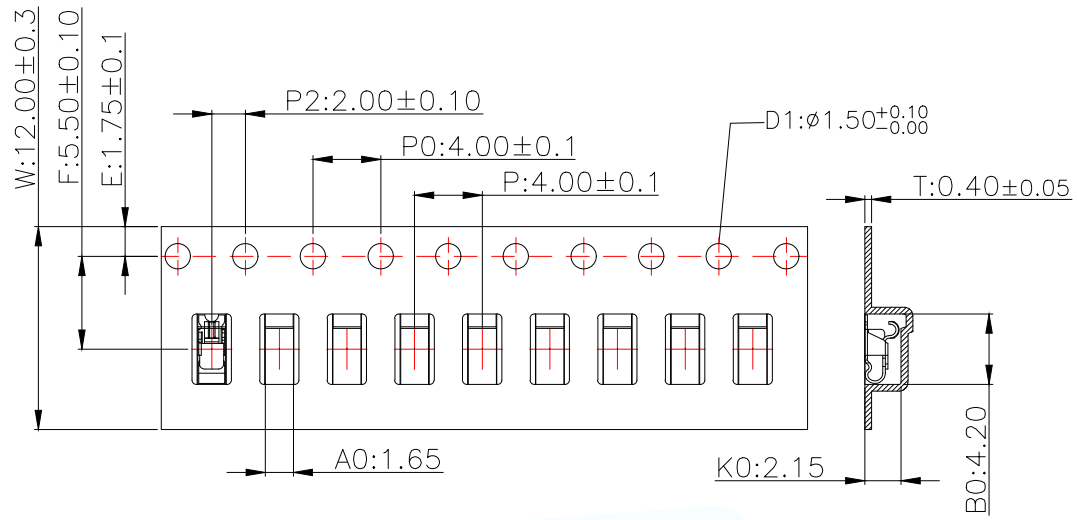
(For Reference Only)  
Stated At Compression

MANUFACTURE DWG		东莞市讯普电子科技有限公司 DongGuan XunPu Electronics Co.,Ltd	
UNLESS OTHERWISE SPECIFIED TOLERANCES		TITLE: 天线弹片 L4.00*W1.50*H2.00	
		PAR	ASP-D2004-B01
		DWN	
		CHKD	
		APVD	
DECIMALS:	ANGLES:	SCALE N:A	UNIT:MM
X. ±0.30	X. ° ±0.20	SIZE:A4	REV:A
.X ±0.20	.X ° ±0.10	SHEET:1F1	
.XX ±0.15	.XX ° ±0.5		

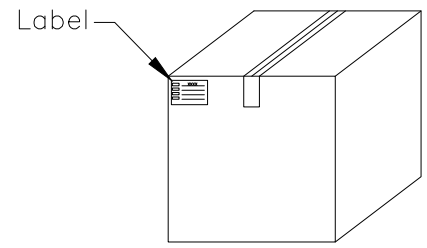
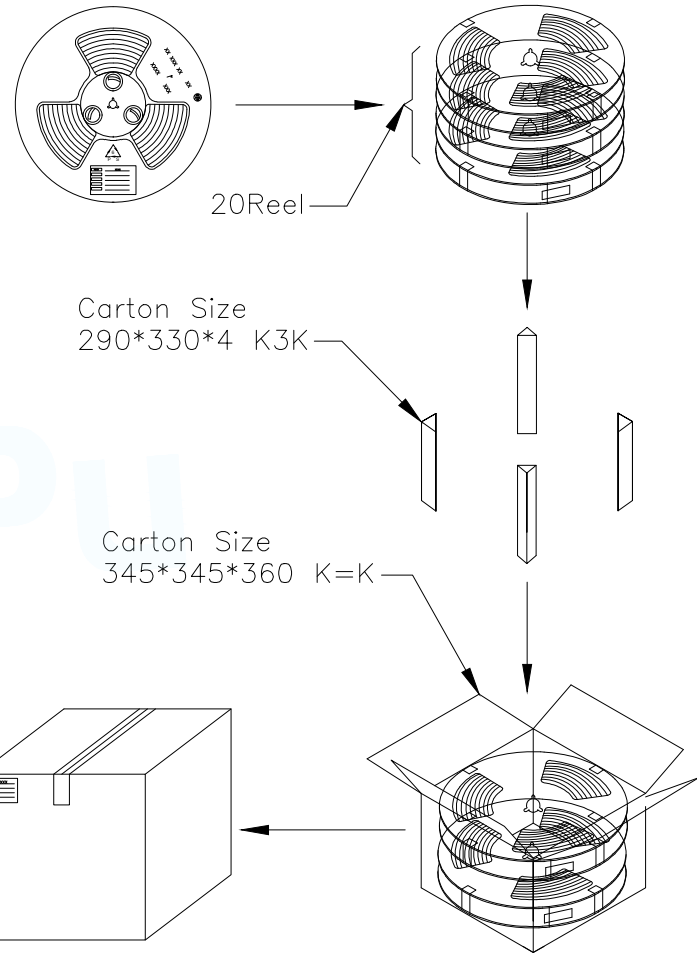
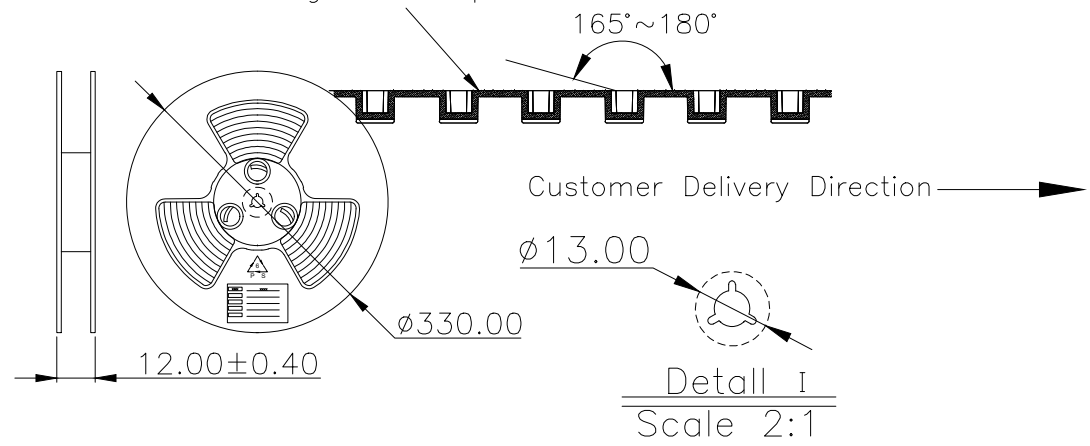


CUSTOMER COPY

12	13	14	15
MAPX	MODIFICATION	DATE	APPROVE



The Carrier Tape Is Cold-Sealed And The Peeling Angle Of The Cold-Sealing Cover Tape Is 165°~180°.



MANUFACTURE DWG		东莞市讯普电子科技有限公司 DongGuan XunPu Electronics Co.,Ltd	
UNLESS OTHERWISE SPECIFIED TOLERANCES			TITLE: 天线弹片 L4.00*W1.50*H2.00
			PAR ASP-D2004-B01
			DWN
DECIMALS:	ANGLES:	CHKD	
X. ±0.30	X. ° ±0.20	APVD	
.X ±0.20	.X ° ±0.10	SCALE N:A	UNIT:MM
.XX ±0.15	.XX ° ±0.5	SIZE:A4	SHEET:1F1
CUSTOMER COPY			REV:A