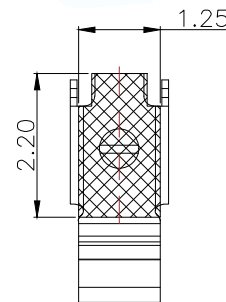
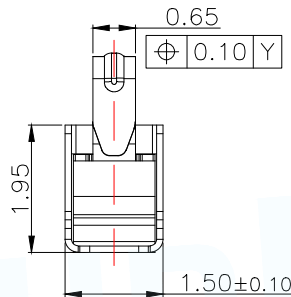
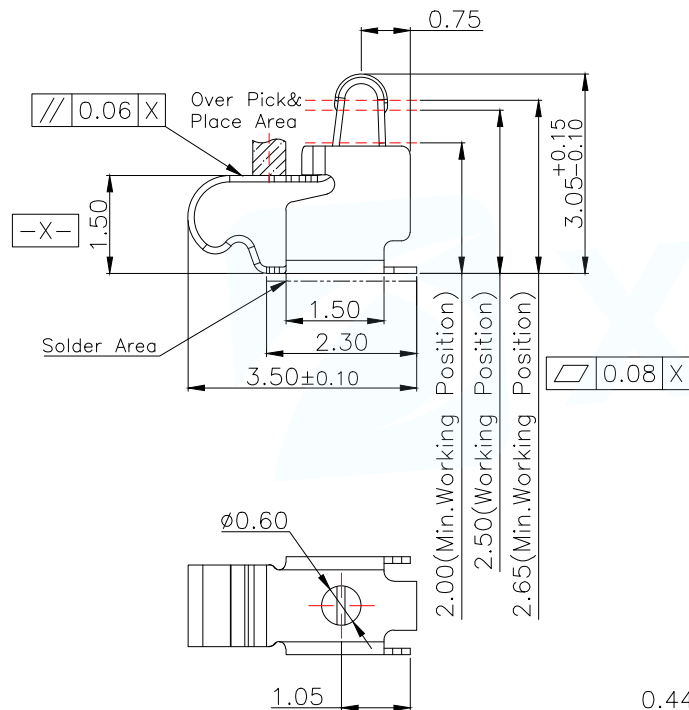
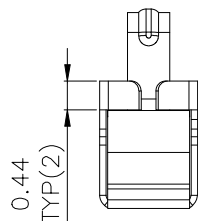


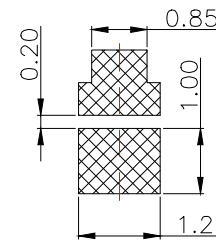
3D View

NOTES:

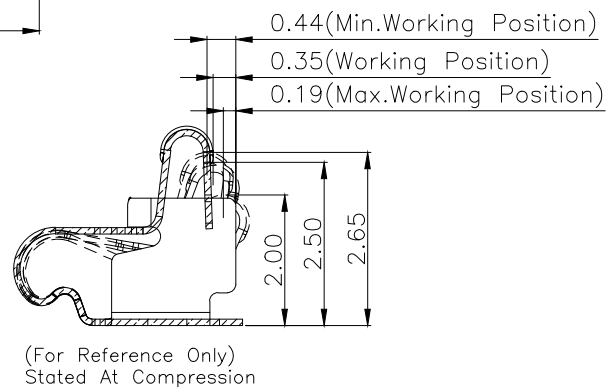
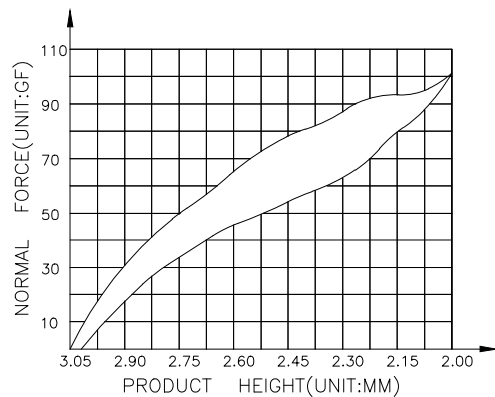
- 1:MATERIAL
  - 1-1: SUS-304 THICKNE=0.10MM
- 2:SPECIFICATIONS
  - 2-1: RATED CURRENT: 1.0A
  - 2-2: VOLTAGE RATING: 1.5V
  - 2-3: CONTACT RESISTANCE: 80mΩ/MAX
  - 2-4: WELDING THRUST: ≥3KG
  - 2-5: OPERATING TEMPERATURE: -40°C~+85°C
- 3:DURABILITY: 1500 CYCLES
- 4:SALT SPRAY TIME: 24H
- 5:ELECTROPLATE: THE NICKEL-PLATED SUBSTRATE IS 50u" MIN
- 6:REQUIREMENTS
  - 6-1:TERMINAL TO EAT FULL TIN,NOTPEELING, WELDING OBVIOUS COLOR AND OTHED ADVERSE
  - 6-2:ROHS, REACH, HF HALOGER ADVERSE OF DOMESTIC AND INTERNATIONAL ENVIRONMNTAL REQUIREMENTS



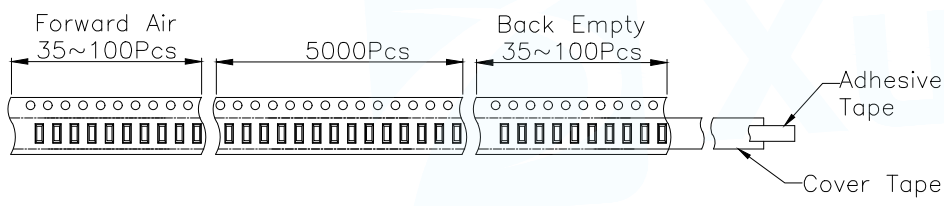
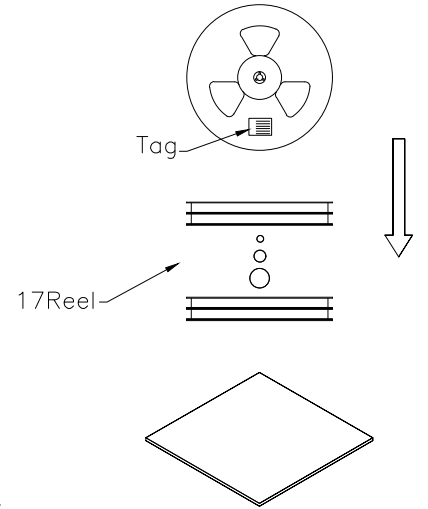
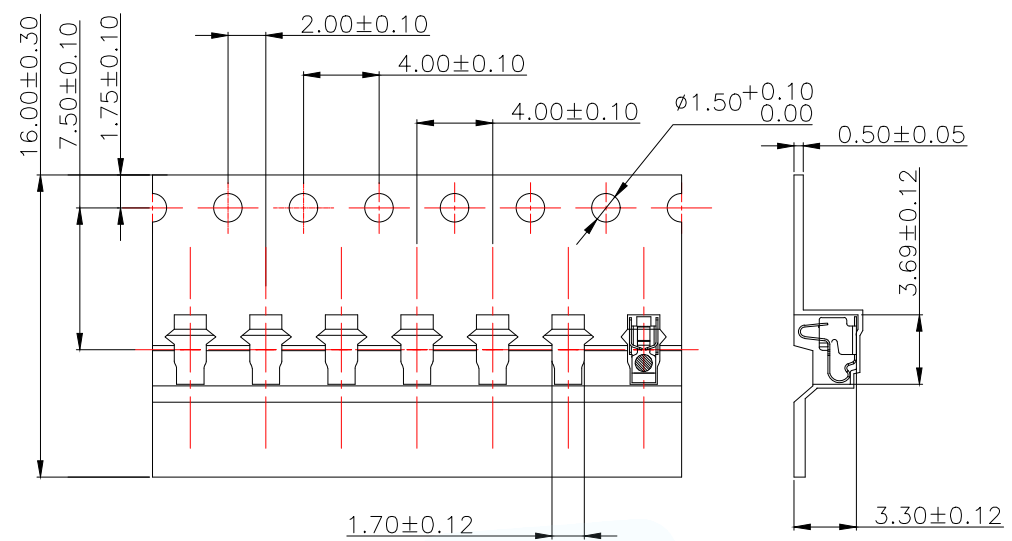
RECOMMENDED PCB LAYOUT  
TOLERANCE:±0.05MM  
(FOR REFERENCE ONLY)



METAL MASK T=0.08  
TOLERANCE:±0.05MM  
(FOR REFERENCE ONLY)



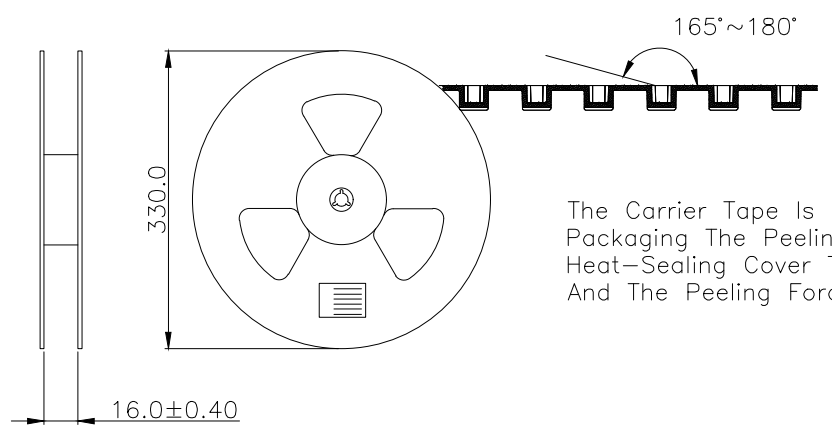
MANUFACTURE DWG		东莞市讯普电子科技有限公司 DongGuan XunPu Electronics Co.,Ltd	
UNLESS OTHERWISE SPECIFIED TOLERANCES		TITLE: 天线弹片 L3.50*W1.50*H3.05	
		PAR	ASP-D3001-B01
DECIMALS:	ANGLES:	DWN	
X. ±0.30	X. ° ±0.20	CHKD	
.X ±0.20	.X ° ±0.10	APVD	
.XX ±0.15	.XX ° ±0.5	SCALE N:A	UNIT:MM
CUSTOMER COPY		SIZE:A4	SHEET:1F1
			REV:A



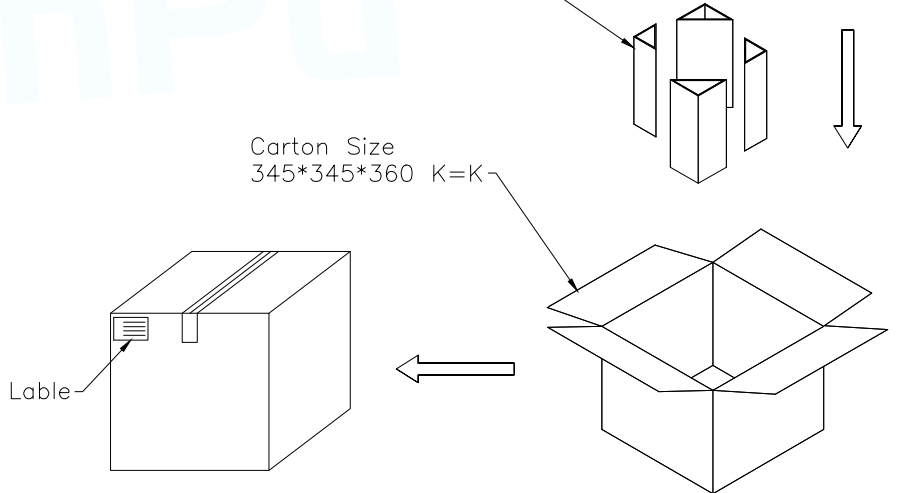
Carton Size 290\*330\*4 K3K

Carton Size 345\*345\*360 K=K

Customer To Use Direction Pull Out Direction (出料方向)



The Carrier Tape Is Heat-Sealed Packaging The Peeling Angle Of The Heat-Sealing Cover Tape Is 165°~180° And The Peeling Force Is 30~120g.



MANUFACTURE DWG		东莞市讯普电子科技有限公司 DongGuan XunPu Electronics Co.,Ltd	
UNLESS OTHERWISE SPECIFIED TOLERANCES		TITLE: 天线弹片 L3.50*W1.50*H3.05	
		PAR	ASP-D3001-B01
DECIMALS:	ANGLES:	DWN	
X. ±0.30	X. ° ±0.20	CHKD	
.X ±0.20	.X ° ±0.10	APVD	
.XX ±0.15	.XX ° ±0.5	SCALE N:A	UNIT:MM
		SIZE:A4	SHEET:1F1
			REV:A



CUSTOMER COPY