

3D View

NOTES:

1:MATERIAL

1-1: SUS-301 THICKNE=0.10MM

2:SPECIFICATIONS

2-1: RATED CURRENT: 1.0A

2-2: VOLTAGE RATING: 1.5V

2-3: CONTACT RESISTANCE: 80mΩ/MAX

2-4: WELDING THRUST: ≥3KG

2-5: OPERATING TEMPERATURE: -40°C~+85°C

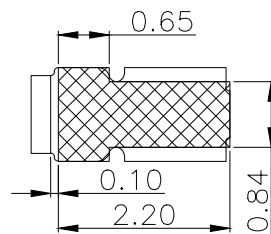
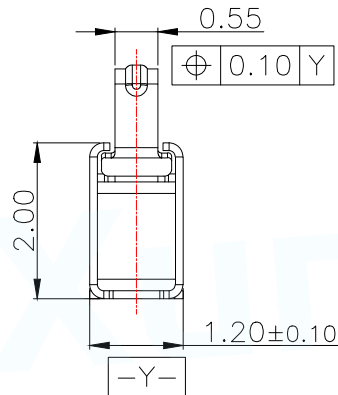
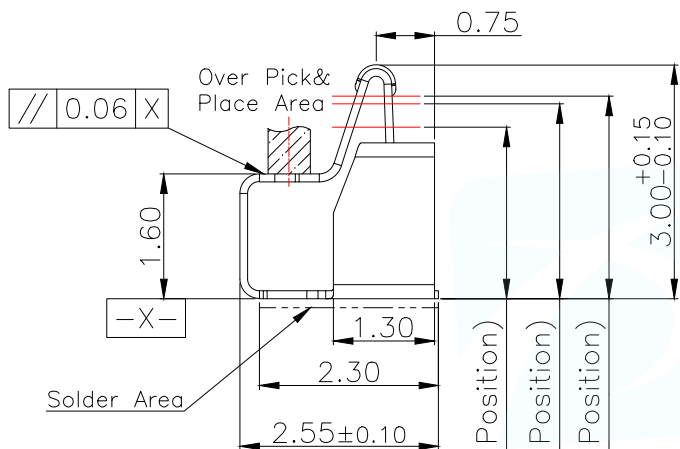
3:DURABILITY: 1500 CYCLES

4:SALT SPRAY TIME: 24H

5:ELECTROPLATE: THE NICKEL-PLATED SUBSTRATE IS 50u" MIN

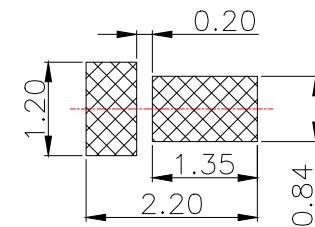
6:REQUIREMENTS

- 6-1:TERMINAL TO EAT FULL TIN,NOTPEELING, WELDING OBVIOUS COLOR AND OTHER ADVERSE
- 6-2:ROHS、REACH、HF HALOGER ADVERSE OF DOMESTIC AND INTERNATIONAL ENVIRONMNTAL REQUIREMENTS



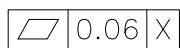
RECOMMENDED PCB LAYOUT

TOLERANCE:±0.05MM
(FOR REFERENCE ONLY)

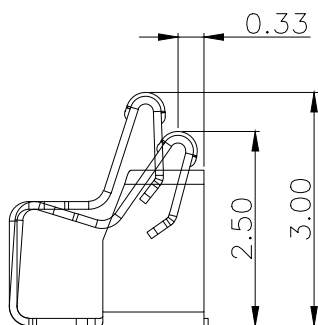


METAL MASK T=0.08

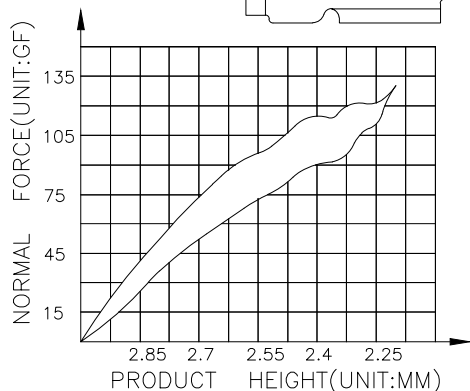
TOLERANCE:±0.05MM
(FOR REFERENCE ONLY)



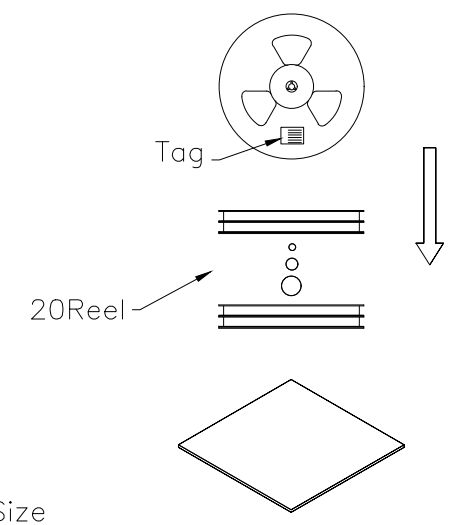
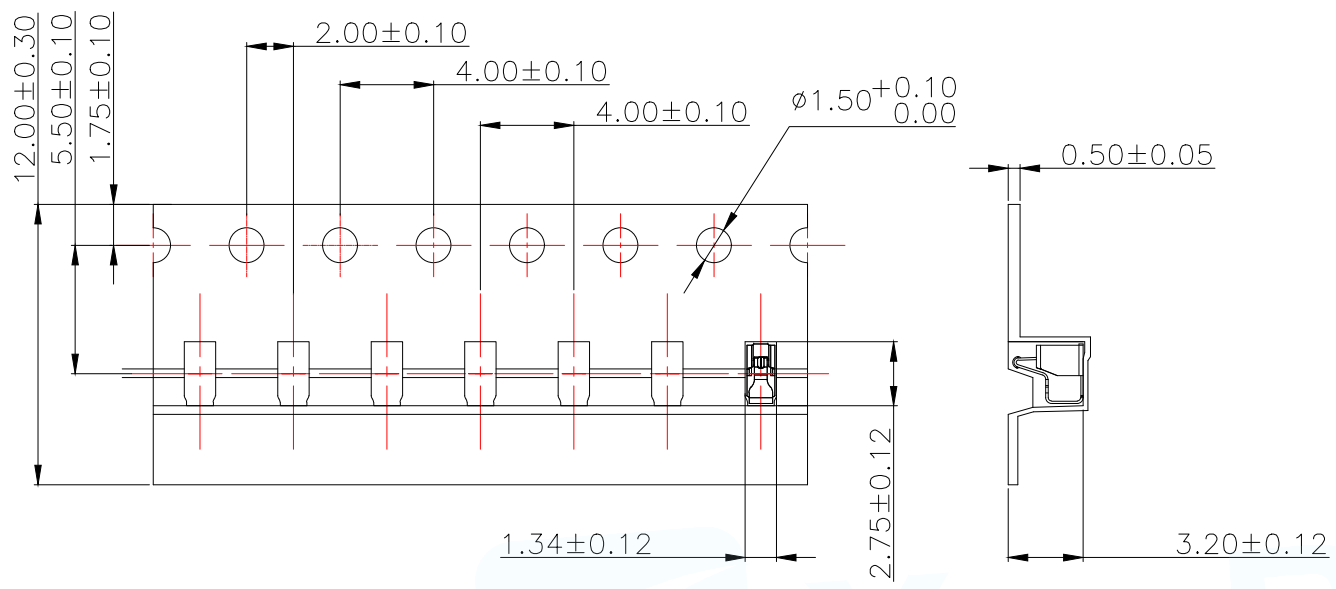
2.20(Max.Working Position)
2.50(Working Position)
2.60(Min.Working Position)



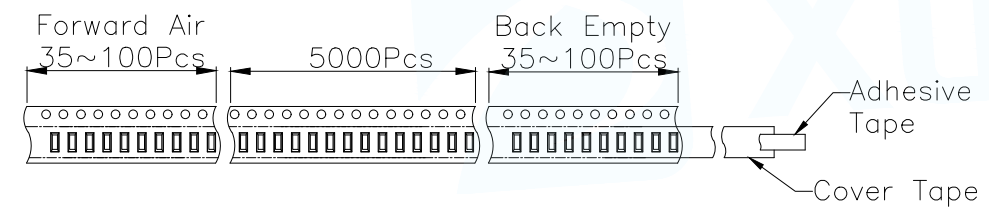
(For Reference Only)
Stated At Compression



MANUFACTURE DWG		东莞市讯普电子科技有限公司 DongGuan XunPu Electronics Co.,Ltd	
UNLESS OTHERWISE SPECIFIED TOLERANCES			TITLE: 天线弹片 L2.55*W1.20*H3.00
			PAR ASP-D3002-B01
DECIMALS:	ANGLES:		DWN
X. ±0.30	X. ° ±0.20	CHKD	
.X ±0.20	.X ° ±0.10	APVD	
.XX ±0.15	.XX ° ±0.5	SCALE N:A	UNIT:MM
		SIZE:A4	SHEET:1F1
		CUSTOMER COPY	REV:A

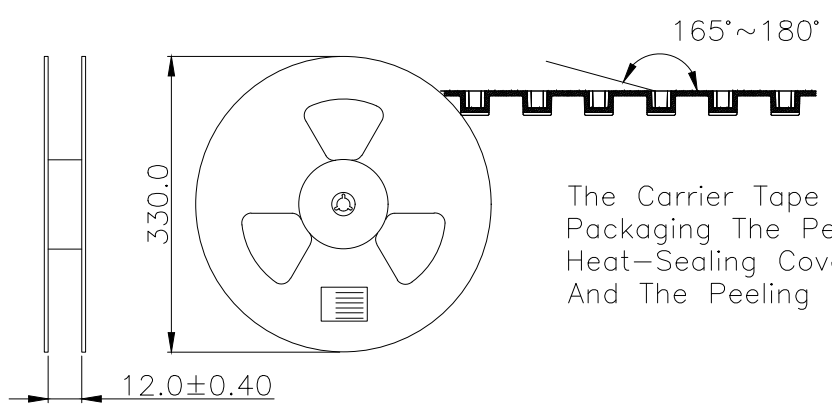
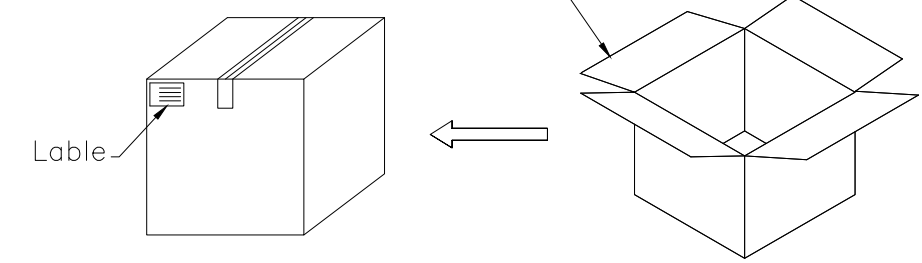


Carton Size
290*330*4 K3K



Carton Size
345*345*360 K=K

Customer To Use Direction → Pull Out Direction (出料方向) →



The Carrier Tape Is Heat-Sealed Packaging The Peeling Angle Of The Heat-Sealing Cover Tape Is 165°~180° And The Peeling Force Is 30~120g.

MANUFACTURE DWG		东莞市讯普电子科技有限公司 DongGuan XunPu Electronics Co.,Ltd	
UNLESS OTHERWISE SPECIFIED TOLERANCES			TITLE: 天线弹片 L2.55*W1.20*H3.00
DECIMALS:	ANGLES:		PAR ASP-D3002-B01
X. ±0.30 X. ° ±0.20	.X ±0.20 .X ° ±0.10		DWN
.XX ±0.15 .XX ° ±0.5			CHKD APVD
SCALE N:A		UNIT:MM	REV:A
SIZE:A4		SHEET:1F1	