

■ Features

- Line filters suppressing conductive noise ranging from low to high frequency generated at power supply circuit of various electronic equipment.
- High levels of safety and reliability.
- Extremely cost effective design.
- Useful for application requiring inductance to vary with current load changes.
- Self electromagnetic shielding. Easy PC board mounting onversion application.

■ Applications

- TV and Audio equipment.
- Switching power supplies.
- Motherboard.
- Buzzers and Alarm systems.
- Other noise filters.

■ Product Identification

| | | | | |
|--------------|---------------|---|------------|----------|
| YDTCB | 251510 | — | 672 | L |
| (1) | (2) | | (3) | (4) |

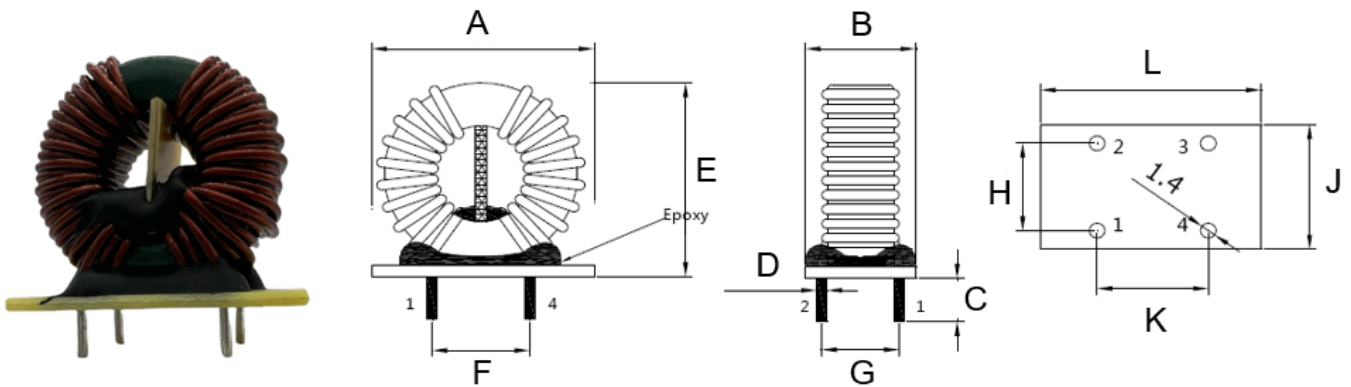
(1) : Type

(2) : Dimensions

(3) : Inductance value:672=6.7mH

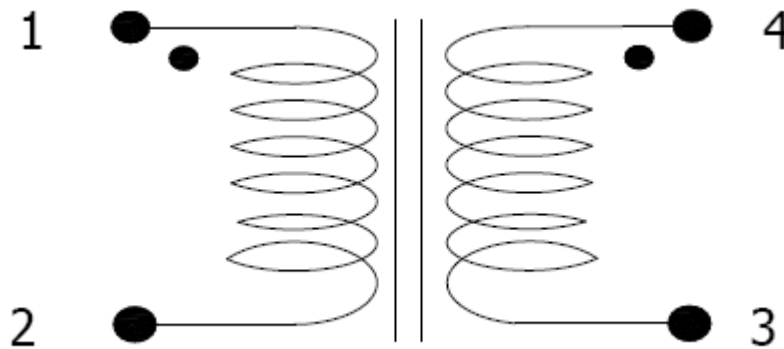
(4) : Style: L- vertical W-horizontal

Shapes and Dimensions (Unit: mm)



| A Max. | B Max. | C | D | E Max. | F | G | H Ref. | L Ref. | J Ref. | K Ref. |
|--------|--------|---------|---------|--------|----------|----------|--------|--------|--------|--------|
| 35.0 | 20.0 | 5.5±0.5 | 1.2±0.1 | 32.0 | 16.0±0.5 | 13.0±0.5 | 13.0 | 33.0 | 18.0 | 16.0 |

Schematic Circuit



General Specification

Rating DC current: Temperature rise(ΔT) is 40°C approximately at I_{rms} .

■ Electrical Specification(at 25°C)

| Test Item | Spec | Pin | Test Condition | Test Instruments |
|-----------|-----------|---------------|----------------|------------------|
| L | 6.7mH Min | 1-2,4-3 | 1KHz/0.25V | HP-4284A/TH2828 |
| DCR | 25 mΩ Max | 1-2,4-3 | 25°C | 502BC |
| HI-POT | 1000VAC | Coils ~ Coils | 5mA/3S/50Hz | TH-9320 |
| | | | | |

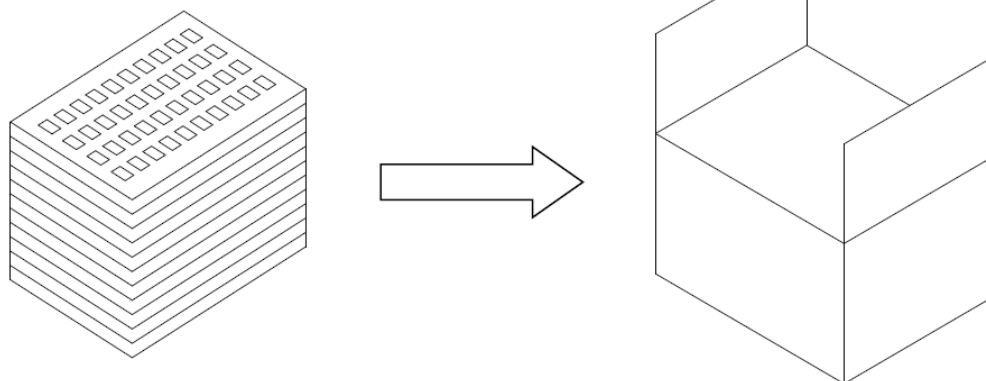
■ Winding Construction

| Order | S – F | Wire Size | Turns | Notes |
|-------|-------|-----------|-------------|---------------|
| N1 | 1 – 2 | Φ1.2×1P | 25.5TS Ref. | Split winding |
| N2 | 4 – 3 | Φ1.2×1P | 25.5TS Ref. | Split winding |

■ Reliability

| No. | Item | Material | Vendor | Rating | UL File |
|-----|------------|--------------------------|------------------------|--------|---------|
| 1 | Core | T25×15×10C Green coating | YuFeng | | |
| | | T25×15×10C Green coating | LiTong | | |
| 2 | Wire | QZY-2 Φ1.2mm | JinYan | 180°C | E238500 |
| | | xEIW/180 Φ1.2mm | YiDa | 180°C | E344055 |
| 3 | Varnish | DA-700-6 | Qiang Da | 130°C | E347463 |
| 4 | Epoxy | QDJ600A/B | QIANG DA | 130°C | E351561 |
| 5 | PCB Spacer | FR-1 Yellow | KingBoard Laminates | 130°C | E123995 |
| 6 | PCB Base | FR-4.1 Yellow | KingBoard Laminates | 130°C | E123995 |
| 7 | Solder | SN99.90AA | Yunnan Tin | | |
| | | | | | |

■ Packaging



| No. | Packaging Materials | Reference Dimension | Material | Quantity |
|-----|---------------------|---------------------|----------|--------------|
| 1 | Box(TC-002) | 265×180×15(mm) | PET | 48PCS/Box |
| 2 | Master Carton | 315×210×135(mm) | K36K | 10Box/Carton |